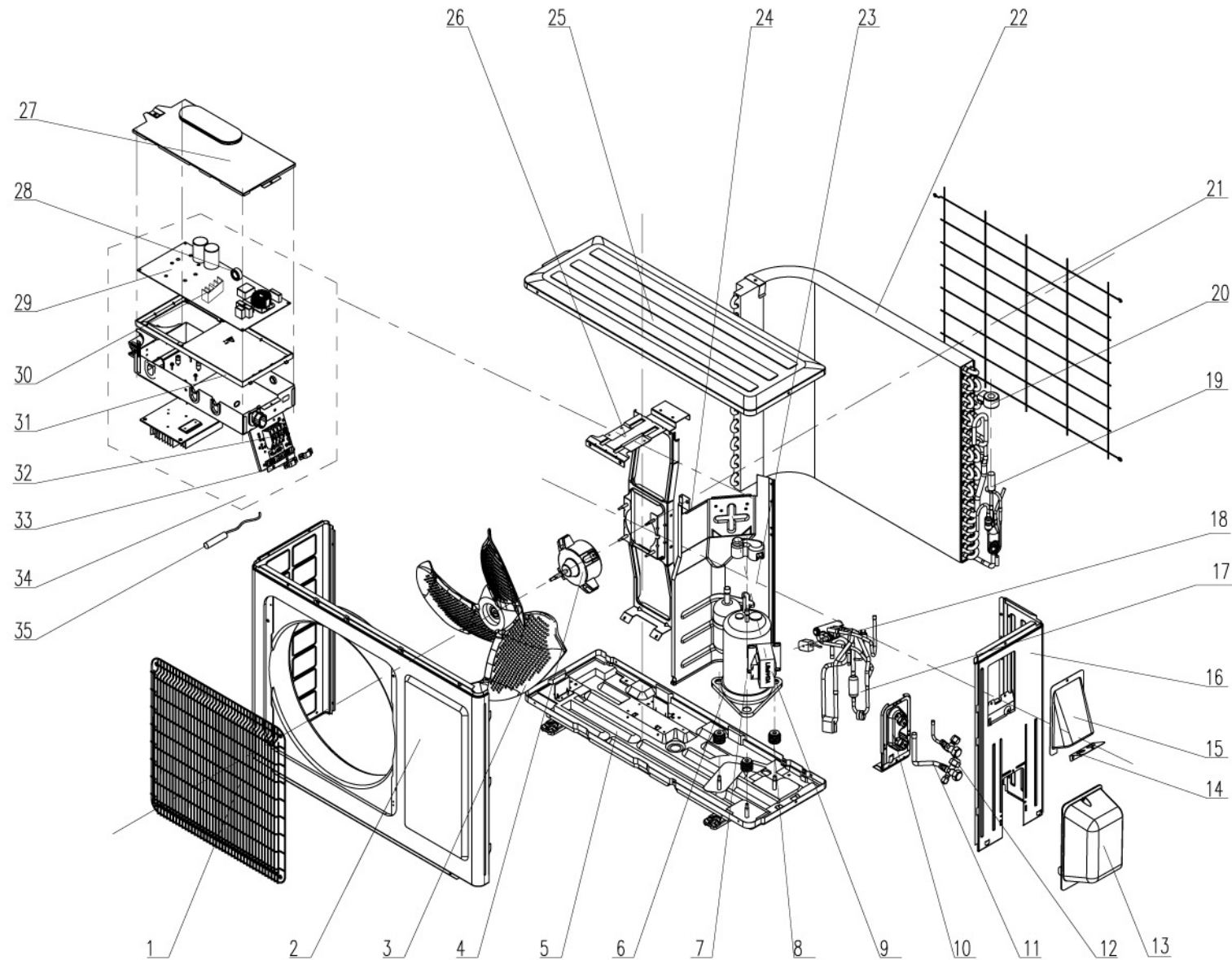


MODEL: EC18H181W

Nb.	Name	Part No.
1	Front protection grill	01473049
2	Front cover	01433047P
3	Outdoor Fan	10335008
4	Condenser electrical motor	1501506402
5	Mounting Chassis	02803062P
6	Compressor oil heater	76513004
7	Compressor set	00105241
8	Compressor rubber supports	
9	Reactor	43130185
10	Valve support	01715010P
11	Suction Valve	071302392
12	Liquid Valve	07130239
13	Valve cover	22245002
14	Cable holder	02123013P
15	Connecting lid	02123014P
16	Lateral cover	0130509403P
17	Reversing valve	03123891
18	Solenoid coil reversing valve	4300040033
19	Electronic Expansion Valve (EEV)	07133681
20	Solenoid EEV	4300876701
21	Rear protection grill	01473043
22	Condenser coil	01163487
23	Compressor overload protector (external)	01232902
24	Division guard	01233090
25	Top cover	01255005P
26	Motor mounting support	01705036
27	Electric control box top cover	0260309601
28	Magnetic Ring (current monitor)	49010104
29	Main Board	30148250
30	Heat sink	49010252
31	Electric control box	20113027
32	Terminal board	42010255
33	Wire clamp	71010003
34	Electric control box rear case	02603937
35	Discharge temperature sensor	3900030901



MODEL: EC18H181W

No.	Name	Part No.
1	Front panel	20012260
2	Air Filter	1112208901
3	Screw cover	24252016
4	Baffle Plate	26112228
5	Front case	20022172
6	Vertical Air deflector-1	10512708
7	Vertical Air deflector-2	10512709
9	Left side Air deflector bearing	10512037
10	Rear case (chassis)	22202128
11	Water collector's Rubber cap	76712012
12	Indoor fan bearing	26152022
13	Indoor fan bearing rubber holder	76512051
14	Indoor fan	10352019
15	Evaporator support	24212133
16	Evaporator coil	01002575
17	Mounting plate	01252218
18	Motor Cover	26112494
19	Blower Electrical motor	1501211601
20	Pipes clamp	26112164
21	Water Hose	05230014
22	Swing motor	15012086
23	Swing 's crank	10582070
24	Display Board	30565038
25	Protection grill	01472015
26	Air deflector	10512115
27	Central side Air deflector bearing	10542036
28	Transformer	321620027
29	Electrical Box (control box)	2011210801
30	Terminal Board	42011233
31	Connection Lid	20112081
32	PCB board (main Board)	30138649
32	Fuse	38742533
33	Shield cover of electric box	01592092
34	Electrical Box front Cover	20122154
35	PCB board Jumper	4202300109
36	Capacitor	33010043
37	Electrical Box rear Case	2020210511
38	Ambient temperature sensor	390000453
39	Pipes ' temperature sensor	390000591
40	Remote controller	305100482

