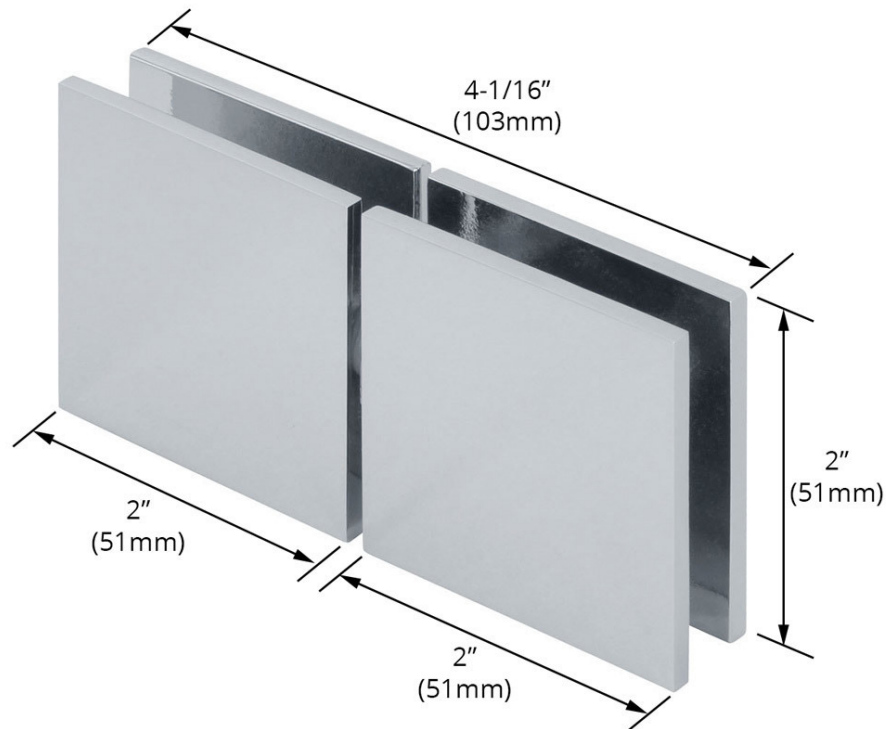





SQUARE 180° GLASS-TO-GLASS MOVABLE TRANSOM CLAMP C1107-1000



SPECIFICATIONS

- Includes: Gaskets and Mounting Screws
- Use with monolithic tempered glass
- Clear silicone can be used to provide a clean, water-tight seal
- 3/4" (19 mm) hole diameter required
- Use with glass thickness from 5/16" (8 mm) to 1/2" (12 mm)

PRODUCT CARE

-  Do not use power tools with this
-  Do not use spray lubricant
-  Do not use abrasive cleaner



For technical assistance call toll free (866) 424-4850 - www.modexo.com