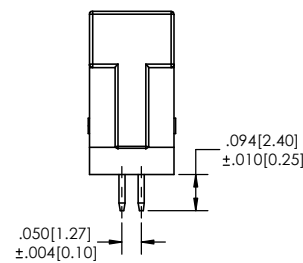
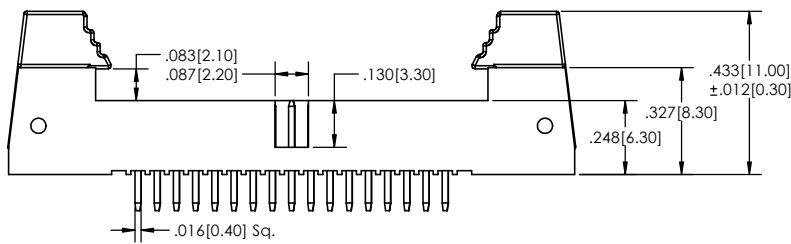
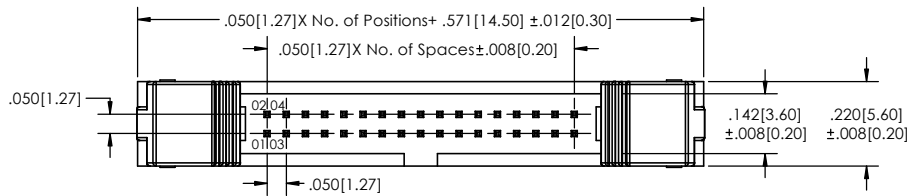
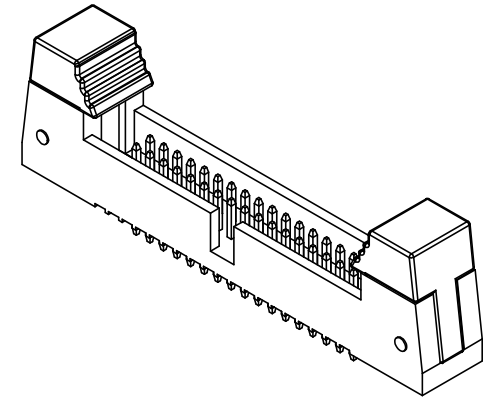
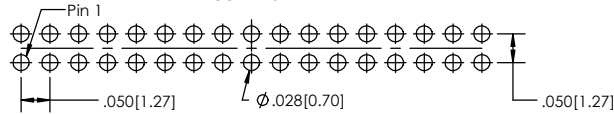


Recommended P.C. Board Layout

SCALE 6:1



SHTSL-5 **XX** - **D** - **02** - **XX** - **LL** - **XXX** - **LF**
(A) **(B)** **(C)** **(D)** **(E)** **(F)** **(G)**

- A. Pins Per Row
- 5 through 30
- B. Row Specification
- D= Double Row
- C. Style
- 02= Thru Hole
- D. Plating Options
- See Plating Options below
- E. Ejector Latch
- LL= Long
- F. Polarized Position
- Leave blank if not needed
- If required, specify empty pin position
- 001-060
- G. Lead Free

Plating options	
G	-10µ Gold on Contact Area/ Flash on Tail
T	-Matte Tin all Over
GT	-10µ Gold on Contact Area/ Matte Tin on Tail
H	-30µ Gold on Contact Area/ Matte Tin on Tail
F	-Gold Flash over Entire Pin
FT	- Gold Flash on Contact Area/ Matte Tin on Tail

Specifications:
 Current Rating: 1.0 Ampere
 Insulation Resistance: 1000M Ohms Min.
 Dielectric Withstanding: 500V AC/DC
 Contact Resistance: 20M Ohms Max.
 Operation Temperature: -40°C to +105°C

Materials:
 Contact Material: Brass
 Insulator Material: PA6T +30% G.F, UL94V-0

Tails may be clipped to achieve specific dimensions.

Products cut to specific sizes are uncancellable/ nonreturnable.
 Parts are subject to change without notice.



PROPRIETARY AND CONFIDENTIAL
 THE INFORMATION CONTAINED IN THIS DRAWING IS THE SOLE PROPERTY OF Major League Electronics. ANY REPRODUCTION IN PART OR AS A WHOLE WITHOUT THE WRITTEN PERMISSION OF Major League Electronics IS PROHIBITED.

UNLESS OTHERWISE SPECIFIED:		NAME		DATE	
DIMENSIONS ARE IN INCHES		DRAWN	EOW	04/01/14	
TOLERANCES:		CHECKED	GWE	04/01/14	
ONE DECIMALS ±.100		ENG APPR.			
TWO DECIMAL ±.005		MFG APPR.			
THREE DECIMAL ±.002		ADDRESS:			
FOUR DECIMAL ±.002		2533 Centennial Blvd. Jeffersonville, In 47130 Phone: 812-670-4174 Fax: 812-670-4175 E-Mail: mle@mlelectronics.com			
NEXT ASSY		USED ON		TITLE: SHTSL-5 SERIES	
APPLICATION		DO NOT SCALE DRAWING		SIZE DWG. NO.	
				SCALE 4:1	
				REV A	
				SHEET 1 OF 1	

