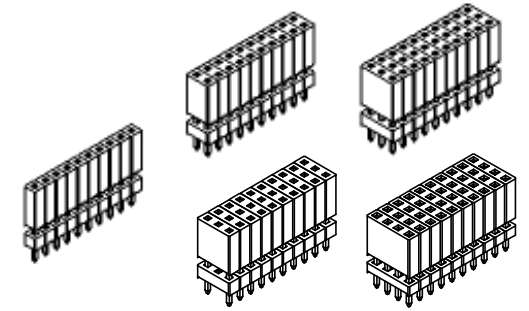
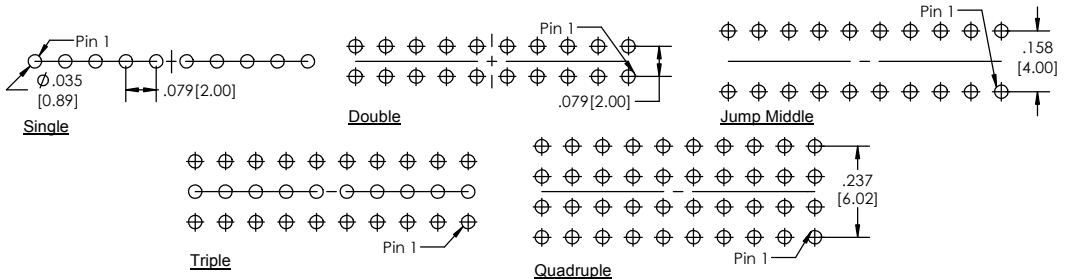


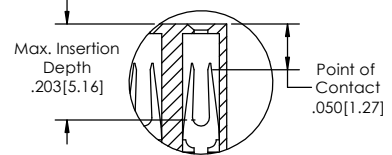
**Recommended P.C. Board Layout**  
SCALE 4:1



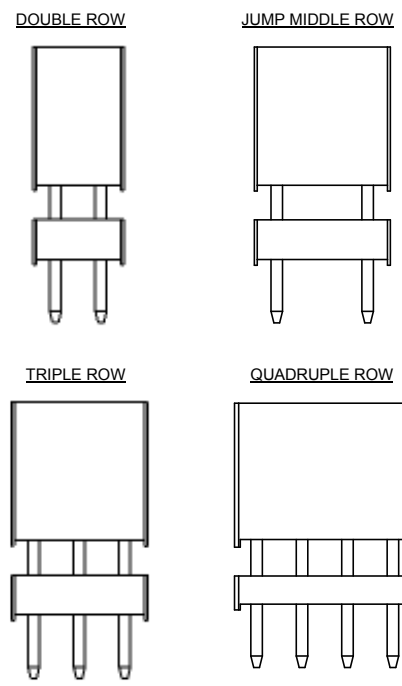
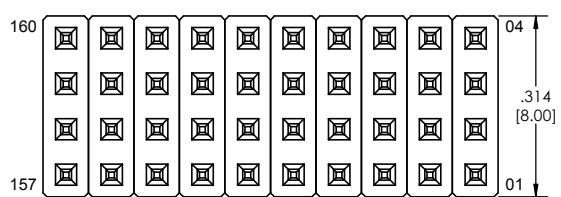
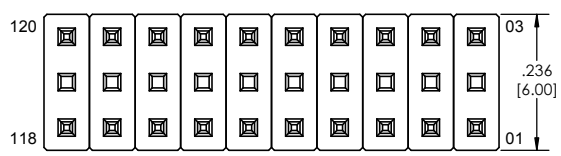
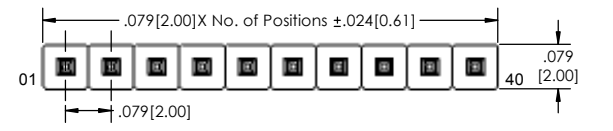
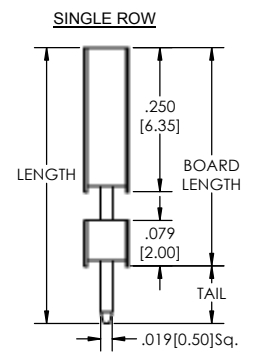
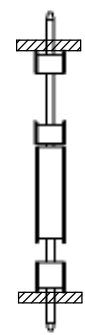
BSSQC-2 [XX] - [X] - [XXX] - [XX] - [XX] - [XXX] - [XX] - [XXX] - [LF]  
(A) (B) (C) (D) (E) (F) (G) (H) (I)

- A. Pins Per Row**  
- 1 through 40
- B. Row Specification**  
- S= Single Row  
- D= Double Row  
- J= Jump Middle  
- T= Triple Row  
- Q= Quadruple Row
- C. Custom Tail Length**  
- Please Specify  
- If left blank:  
Overall Length(L) - Board Space(B) = Tail Length(T)
- D. Pin Options**  
- See Pin Options below
- E. Plating Options**  
- See Plating Options below
- F. Desired Board Space**  
- Please Specify  
- e.g. .100[2.54]= 100
- G. Lock Tight "LT" Option**  
- Leave blank if not needed  
- LT= With
- H. Polarized Position**  
- Leave blank if not needed  
- If required, specify empty pin position  
- e.g. 012 for Pin 12
- I. Lead Free**

- Mates With:**
- BSTC TSHS
  - BSTCM TSHSCM
  - BSTCR TTSHC
  - BSTCRSM TTSHCR
  - BSTS TTSHCRE
  - TBSTC TTSHR
  - TBSTCM TTSHRE
  - TBSTS TTSHS
  - TSHC TTSHSM
  - TSHCR
  - TSHCRE



**APPLICATION**



Plating options	
G	-10 $\mu$ Gold on Contact Area/ Flash on Tail
T	-Matte Tin all Over
GT	-10 $\mu$ Gold on Contact Area/ Matte Tin on Tail
H	-30 $\mu$ Gold on Contact Area/ Matte Tin on Tail
F	-Gold Flash over Entire Pin
FT	-Gold Flash on Contact Area/ Matte Tin on Tail

**Specifications:**  
Insertion Force- Single Contact Only- H Plating:  
4oz. [1.11N] avg with .079[2.00mm] sq. pin  
Withdrawal Force- Single Contact only- H Plating:  
3oz. [0.83N] avg with .079[2.00mm] sq. pin  
Current Rating: 2.0 Ampere  
Insulation Resistance: 1000M Ohms Min.  
Dielectric Withstanding: 500V AC  
Contact Resistance: 10M Ohms Max.  
Operation Temperature: -40°C to +105°C  
Max. Process Temperature  
Peak: 260°C up to 10 secs.  
Process: 230°C up to 60 secs.  
Wave: 260°C up to 6 secs.  
Manual Solder: 350°C up to 5 secs.

**Materials:**  
Contact Material: Phosphor Bronze  
Insulator Material: Nylon 6T  
Plating: Au or Sn over 50 $\mu$ " (1.27) Ni

Pin Options			
Overall Length	Max. Tail Length	Max. Board Space	
.414 [10.52mm]	.104 [2.64mm]	.364 [9.25mm]	04
.458 [11.63mm]	.148 [3.76mm]	.408 [10.36mm]	05
.534 [13.56mm]	.224 [5.69mm]	.484 [12.29mm]	06
.692 [17.58mm]	.382 [9.70mm]	.642 [16.31mm]	07
.850 [21.59mm]	.540 [13.72mm]	.800 [20.32mm]	08

Post + Board Space + Tail  
must not exceed Overall Length

Tails may be clipped to achieve specific dimensions  
Products cut to specific sizes are uncancelable/ nonreturnable.  
Parts are subject to change without notice.



**PROPRIETARY AND CONFIDENTIAL**  
THE INFORMATION CONTAINED IN THIS DRAWING IS THE SOLE PROPERTY OF Major League Electronics. ANY REPRODUCTION IN PART OR AS A WHOLE WITHOUT THE WRITTEN PERMISSION OF Major League Electronics IS PROHIBITED.

UNLESS OTHERWISE SPECIFIED:		NAME		DATE	
DIMENSIONS ARE IN INCHES		DRAWN	EOW	01/21/15	
TOLERANCES:		CHECKED	GWE	01/21/15	
ONE DECIMAL $\pm .100$		ENG APPR.			
TWO DECIMAL $\pm .010$		MFG APPR.			
THREE DECIMAL $\pm .005$		ADDRESS:			
FOUR DECIMAL $\pm .002$		2533 Centennial Blvd. Jeffersville, IN 47130 Phone: 812-670-4174 Fax: 812-670-4175 E-Mail: mle@mlelectronics.com			
NEXT ASSY	USED ON	FINISH	TITLE: BSSQC-2 SERIES		
APPLICATION	DO NOT SCALE DRAWING		SIZE DWG. NO.	REV	
			C	C	
			SCALE 6:1	SHEET 1 OF 1	

