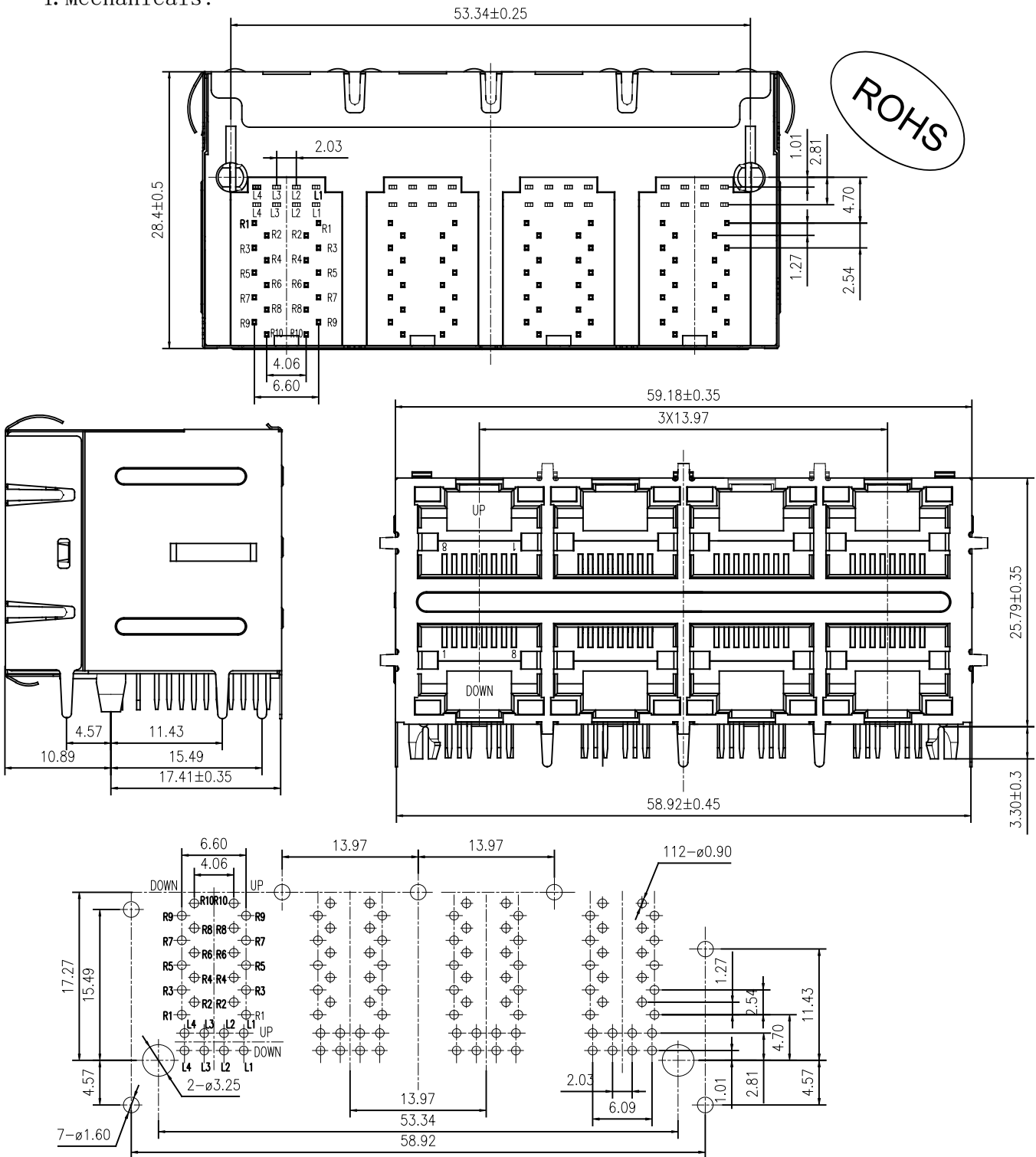


2*4 Port RJ-45 Jack With 100/1000 Base-T Magnetics Module

4. Mechanicals:



P.C.B RECOMMENDED HOLE LAYOUT SEEN FROM COMPONENT SIDE.

ALL CENTERLINE DIMENSIONS ARE BASIC

4.1. Connector Material:

Housing: Thermoplastic UL94 V-0
 Contact/Shield: Cooper alloy
 Shield Plating: Nickel
 Contact Plating: Selective gold 3u" Min

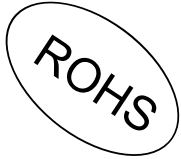
4.2. Tolerances comply with F.C.C dimension requirements

4.3. Durability: 800 mating Min

*Specification subject to change without notice

P/N: SHRJ-2464D3012	Units: mm	Unless otherwise stated otherwise tolerances as follows: .XX ± 0.25	Rev: A	Draw : Kal	Date: 2010/05/08
	Scale: None		Page: 2/2	Checked : Ansom	Date: 2010/05/08
Alternative Component Source			www.alternativecomponentsource.com		Approved: Ansom Date: 2010/05/08

2*4 Port RJ-45 Jack With 100/1000 Base-T Magnetics Module



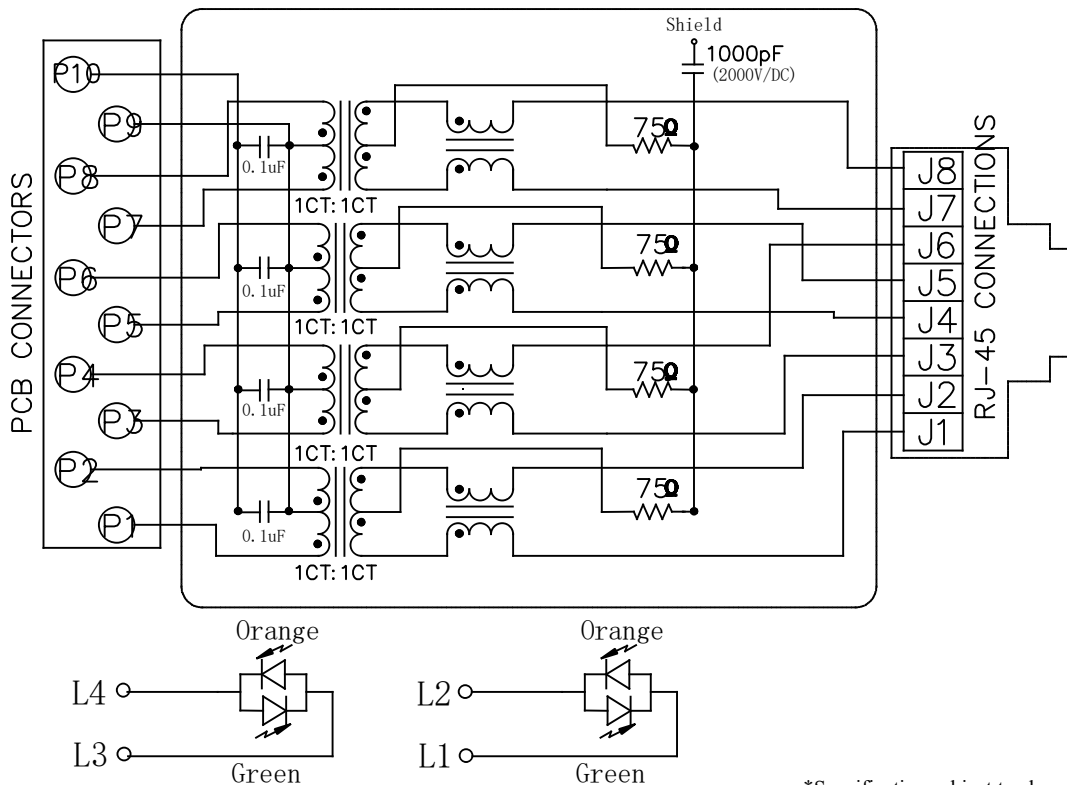
1. Electrical Specifications: @25°C

- 1.1. Isolation Voltage: 1500V/AC (Input to Output)
- 1.2. OCL: 350uH Minimum @100KHz 100mV 8mA DC
- 1.3. Insertion Loss: -1.2dB Maximum @100KHz-100MHz
- 1.4. Return Loss:
 - 18dB Minimum @1MHz-30MHz
 - 14dB Minimum @30MHz-60MHz
 - 12dB Minimum @60MHz-80MHz
 - 10dB Minimum @80MHz-100MHz
- 1.5. Common Mode Rejection: -30dB Minimum @1MHz-100MHz
- 1.6. Cross Talk: -30dB Minimum @1MHz-100MHz

2. Operating and Storage Temperature:

- 2.1. Operating Temperature: -40°C to +85°C
- 2.2. Storage Temperature: -40°C to +85°C

3. Schematics:



*Specification subject to change without notice

P/N: SHRJ-2464D3012	Units: mm	Unless otherwise stated otherwise tolerances as follows: .XX ±0.25	Rev: A	Draw : Kal	Date: 2010/05/08
	Scale: None		Page: 1/2	Checked : Ansom	Date: 2010/05/08
Alternative Component Source			www.alternativecomponentsource.com		Approved: Ansom Date: 2010/05/08