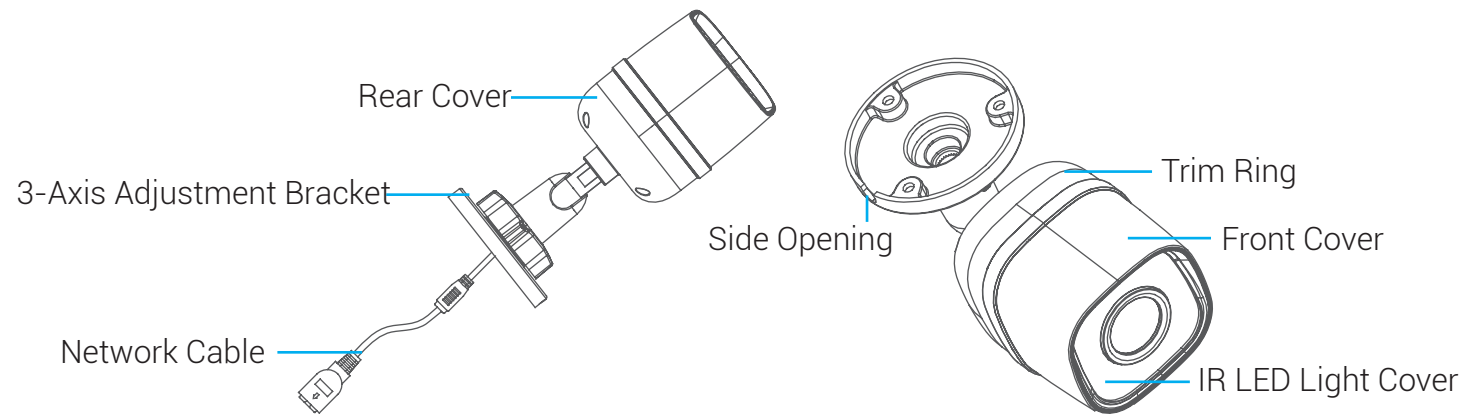




# Installation Guide

(Network Bullet Camera)

## Camera Overview



## Installation Preparation

- Make sure that the device in the package is in good condition and all the assembly parts are included.
- Make sure that all the related equipment is powered off during the installation.
- Check whether the power supply matches your power output to avoid damage.
- Make sure the wall is strong enough to withstand three times the weight of the camera and the mounting.
- If the wall is cement, you need to insert expansion screws before you install the camera.
- If the wall is wooden, you can use self-tapping screws to secure the camera.
- If the product does not function properly, please contact EZVIZ support: [service@ezvizlife.com](mailto:service@ezvizlife.com), [ezvizlife.com/support](http://ezvizlife.com/support).
- Do not disassemble the camera for repair or maintenance by yourself.

## Installation

1. Attach the drill template (supplied) to the place where you want to fix the camera, and then drill the screw holes on the installation surface according to the drill template (figure 1).

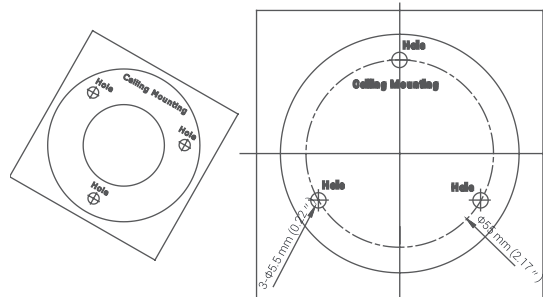


Figure 1 Drill Template

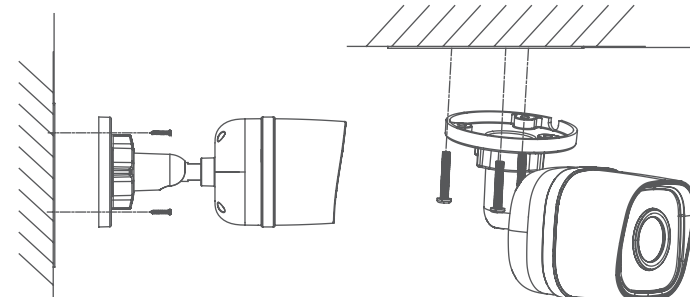


Figure 2 Fix the Camera

2. Route the camera cables through the mounting base and side opening.
3. (Optional) For cement wall, insert the expansion screws into the screw holes according to the drill template. Otherwise, skip the step.
4. Secure the camera to the ceiling or wall with the supplied screws, see figure 2.
5. Connect the corresponding cables to power on the camera and get the live view.
6. Adjust the camera according to figure 3 to get an optimum angle.
  - 1) Loosen the 3-axis adjust screw.
  - 2) Adjust the pan direction [0° to 360°] and the tilt direction [0° to 90°], and rotate the camera [0° to 360°] to adjust the lens to the surveillance angle.
  - 3) Tighten the screw after completing the adjustment.

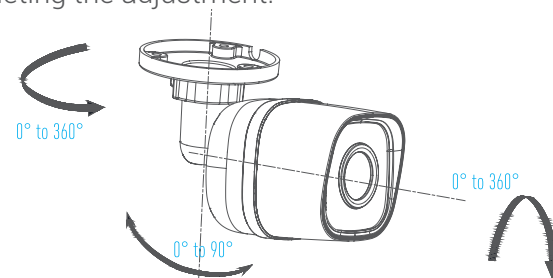


Figure 3 Camera Adjustment