

SONO Guide Overview Command Batch

Last Updated: April 19, 2018

Before Beginning:

Required Equipment and Software:

- **SONO-VARIO** (M308070, M308074, M308090) probe(s)
- **SONO-VIEW** (M300131) or **SM-USB** (M100020) module
- **Mounting Plate Assembly for SONO-VARIO Probe** (M308037)
- **SONO cable**, available in 4m (M308029) or 10m (M308032)
- **Command Batch Panel** with a MPI (moisture probe interface) module
- 500 Ohm precision resistor, attached to probe cable or inside the probe carton
- **SONOConfig software**, available via MESA USB drive or <http://mesasystemsco.com>

Overview:

Notes:

- Wiring and interfacing will differ based on the use of SONO-VIEW or SM-USB
- If more than one SONO probe is used, the SONO-VIEW is the best option
- This overview is for users interfacing to Command Alkon E-Z Cal manual station only

Part 1: Installation

- 1) Follow “**SONO Guide_Installation**” to properly install Mounting Plate and bracket and SONO-VARIO probe(s)

Part 2: Wiring

- 1) If using the SONO-VIEW, follow “**SONO Guide_Wiring_Sono View**” to properly wire SONO-VARIO probe(s) using SONO cable to the SONO-VIEW

Or

- 2) If using the SM-USB module, follow “**SONO Guide_Wiring_SM-USB**” to properly wire SONO-VARIO probe(s) using SONO cable to the SM-USB module

Part 3: Interfacing

- 1) If using the SONO-VIEW, follow “**SONO Guide Interfacing Sono View Command Batch**” to interface SONO-VARIO probe(s) for commissioning, and changing calibrations and/or adjusting offsets

Or

- 2) If using the SM-USB module, follow “**SONO Guide Interfacing SM-USB Command Batch**” to interface SONO-VARIO probe(s) for commissioning, and changing calibrations and/or adjusting offsets

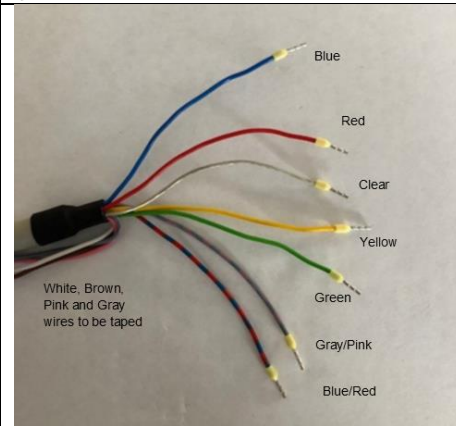
Product Examples

Product Name	Product Image
SONO-VARIO (M308070, M308074, M308090)	
SONO-VIEW (M307012)	
SM-USB (M100020) module	

Mounting plate and bracket (M308037)



SONO cable



For complete technical details visit <http://mesasystemsco.com> for manuals and support documentation.

Additional Questions? Contact MESA at support@mesasystemsco.com or +1 (508) 655-6372.