

SONO Guide Overview

Last Updated: April 19, 2018

Before Beginning:

Required Equipment and Software:

- **SONO-VARIO** (M308070, M308074, M308090) probe(s)
- **SONO-VIEW** (M307012) or **SM-USB** (M100020) module
- **Mounting plate and bracket** (M308037)
- **SONO cable**, available in 4m (M308029) or 10 m (M308032)
- **SONOConfig software**, available via MESA USB drive or <http://mesasystemsco.com>

Overview:

Notes:

- Wiring and interfacing will differ based on the use of SONO-VIEW or SM-USB
- If more than one SONO probe is used, the SONO-VIEW is the best option

Part 1: Installation

- 1) Follow “**SONO Guide_Installation**” to properly install Mounting Plate and bracket and SONO-VARIO probe(s)

Part 2: Wiring

- 1) If using the SONO-VIEW, follow “**SONO Guide_Wiring_Sono View**” to properly wire SONO-VARIO probe(s) using SONO cable to the SONO-VIEW

Or

- 2) If using the SM-USB module, follow “**SONO Guide_Wiring_SM-USB**” to properly wire SONO-VARIO probe(s) using SONO cable to the SM-USB module

Part 3: Interfacing

Notes: Interfacing will differ based on batching system, please contact MESA for specific control system question or instructions. Separate guides are available for Command Alkon batching systems.

- 1) If using the SONO-VIEW, follow “**SONO Guide Interfacing Sono View**” to interface SONO-VARIO probe(s) for commissioning, and changing calibrations and/or adjusting offsets

Or

- 2) If using the SM-USB module, follow “**SONO Guide Interfacing SM-USB**” to interface SONO-VARIO probe(s) for commissioning, and changing calibrations and/or adjusting offsets

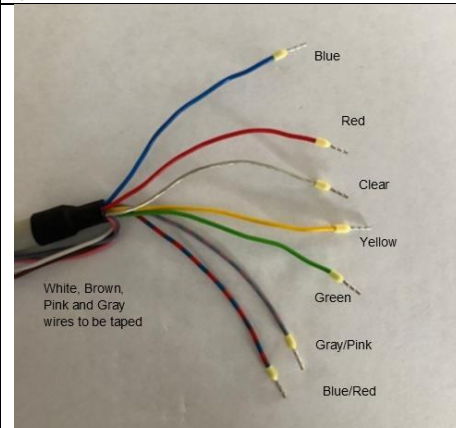
Product Examples

Product Name	Product Image
SONO-VARIO (M308070, M308074, M308090)	 A cylindrical, metallic probe with a black rectangular sensor area on its top surface.
SONO-VIEW (M307012)	 A handheld electronic control panel with a color LCD screen displaying two channels of data: 13.2% at 22.2°C and 10.5% at 22.5°C. It features several green navigation buttons and the IMKO-V logo.
SM-USB (M100020) module	 A blue rectangular printed circuit board (PCB) module. It has a USB port on the left, a power input on the right, and several screw terminals on the top. The text 'SM USB' and 'IMKO-V' are printed on the board.

Mounting plate and bracket (M308037)



SONO cable



For complete technical details visit <http://mesasystemsco.com> for manuals and support documentation.

Additional Questions? Contact MESA at support@mesasystemsco.com or +1 (508) 655-6372.