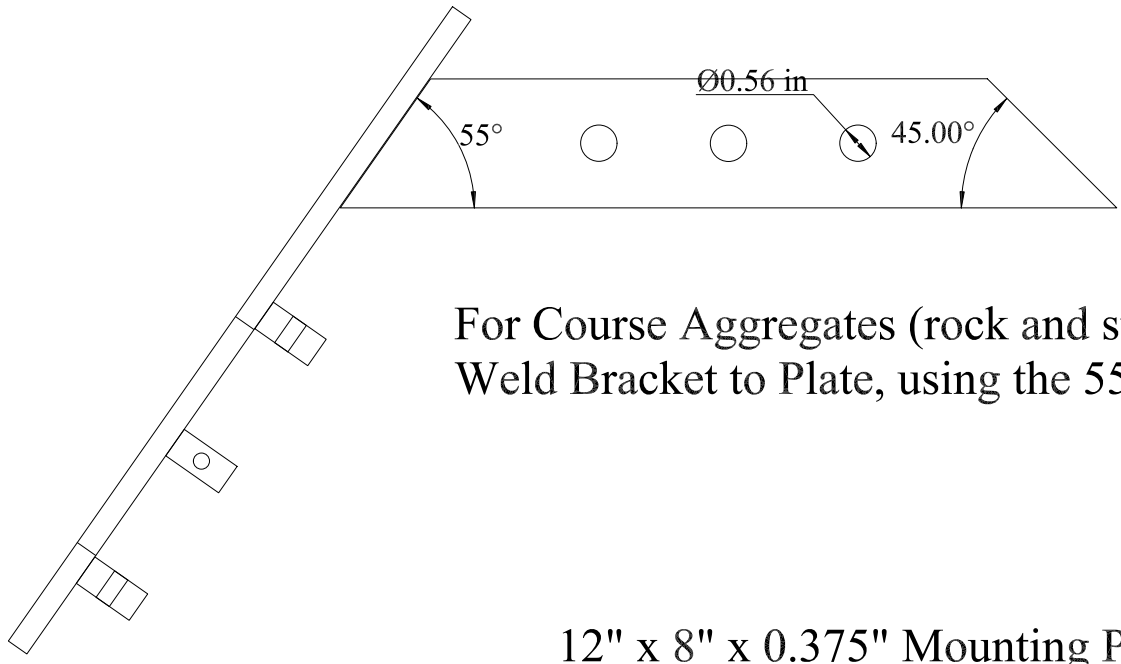


For Fine Aggregates (sand):  
 Weld Bracket to Plate, using the 45 degree angle



For Course Aggregates (rock and stone)  
 Weld Bracket to Plate, using the 55 degree angle

12" x 8" x 0.375" Mounting Plate with cutout  
 for any SONO probe with 108mm diameter.  
 12" x 2" bracket with 45 and 55 degree end angles  
 Material: SAE 304 Stainless Steel.

MESA Systems Co.