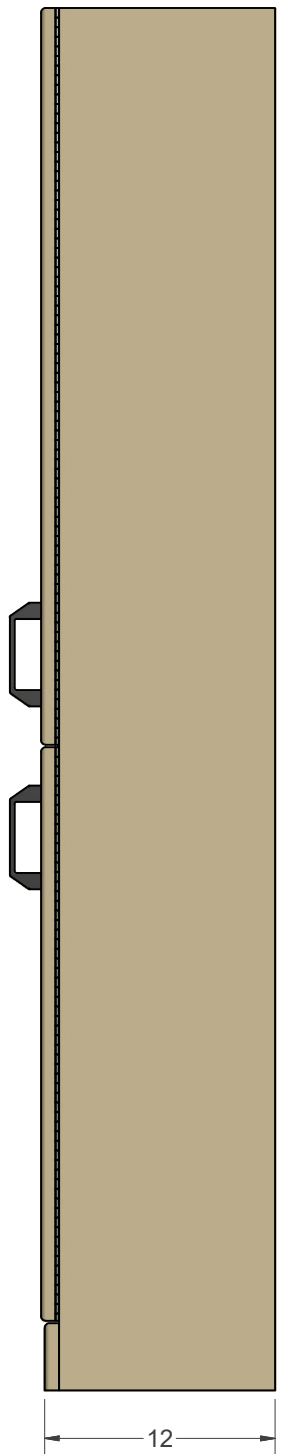
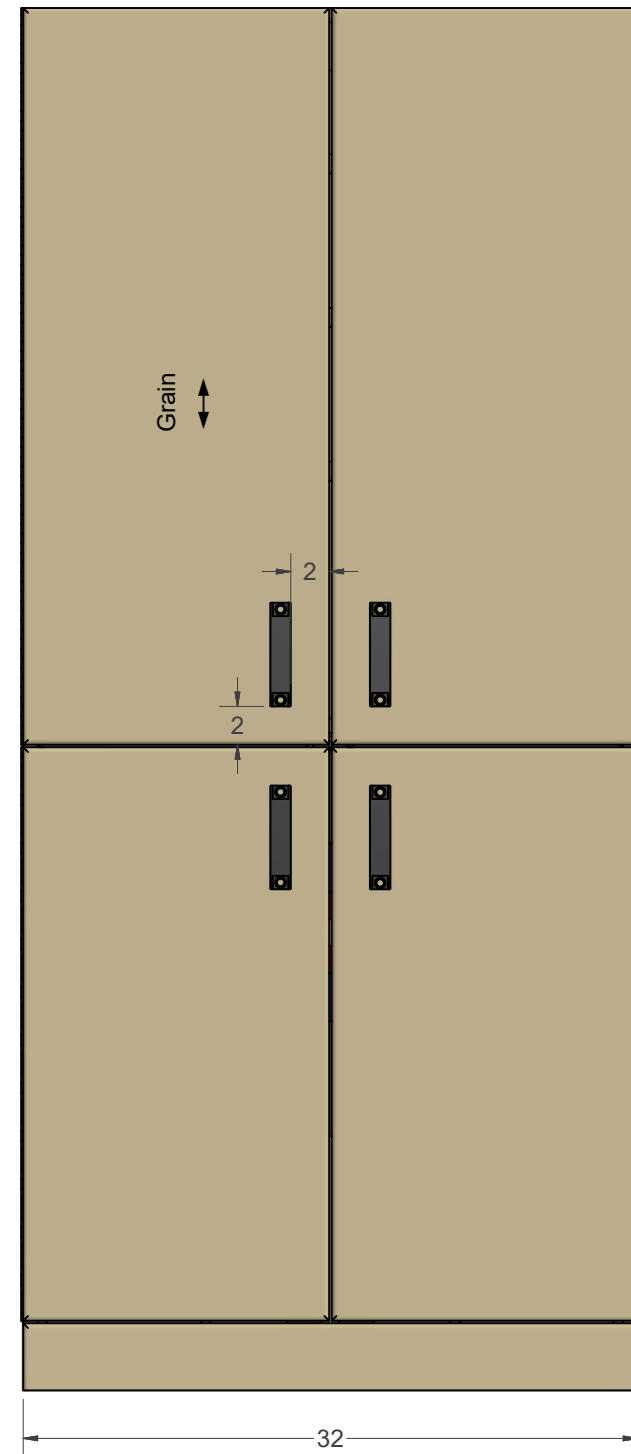
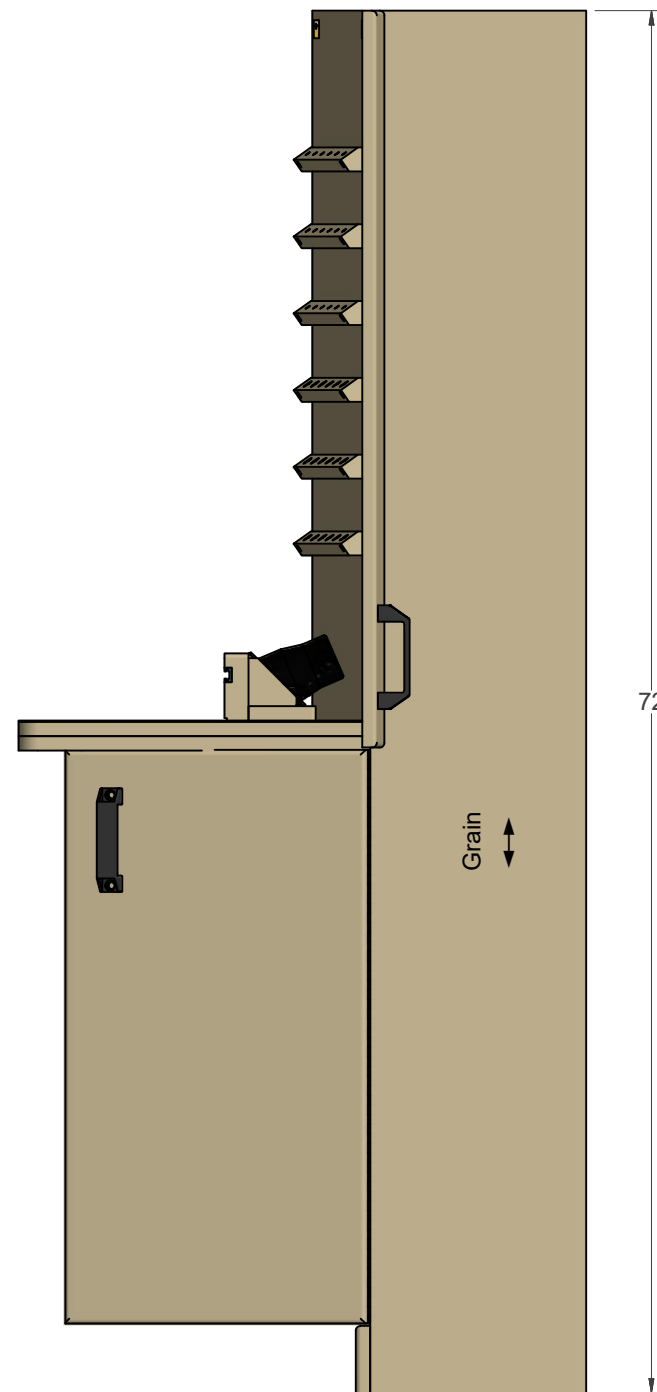
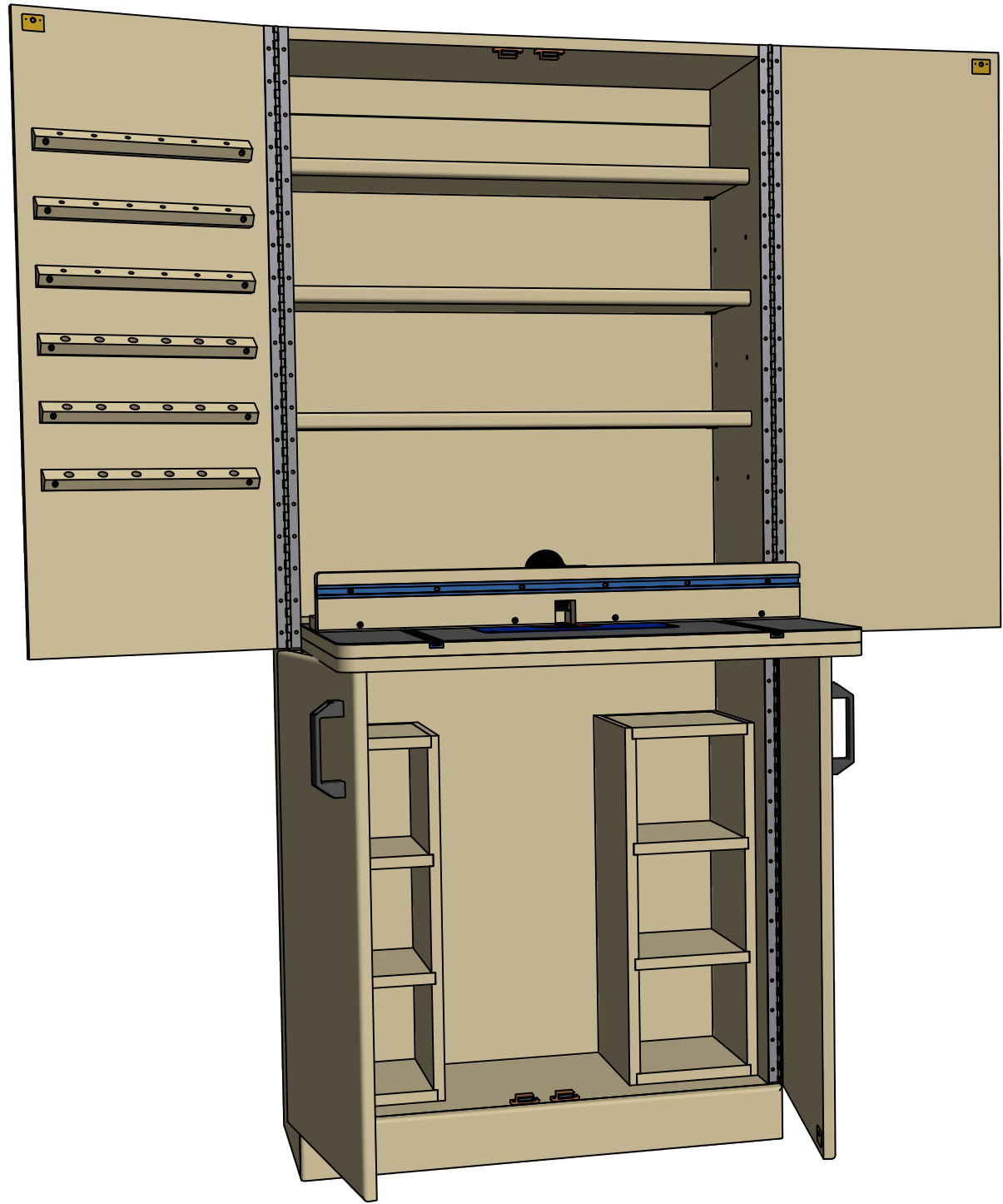


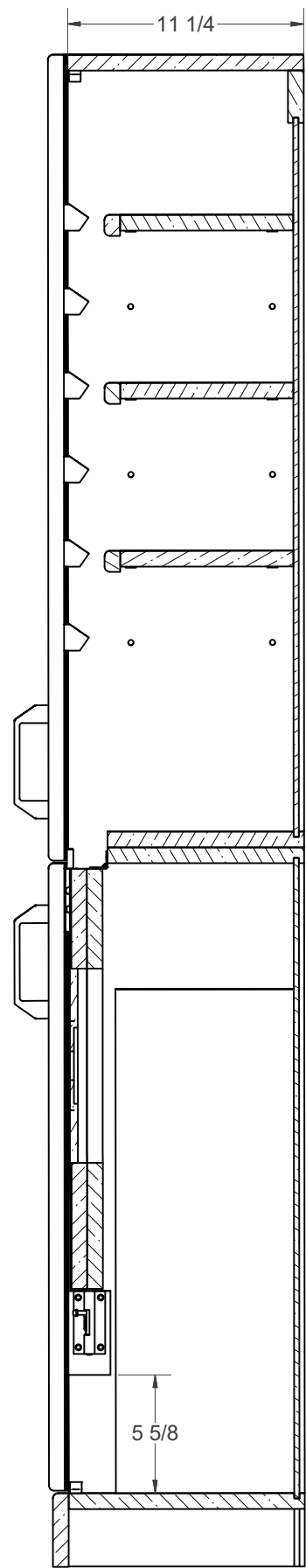
Woodsmith® PLANS

Shop Drawings

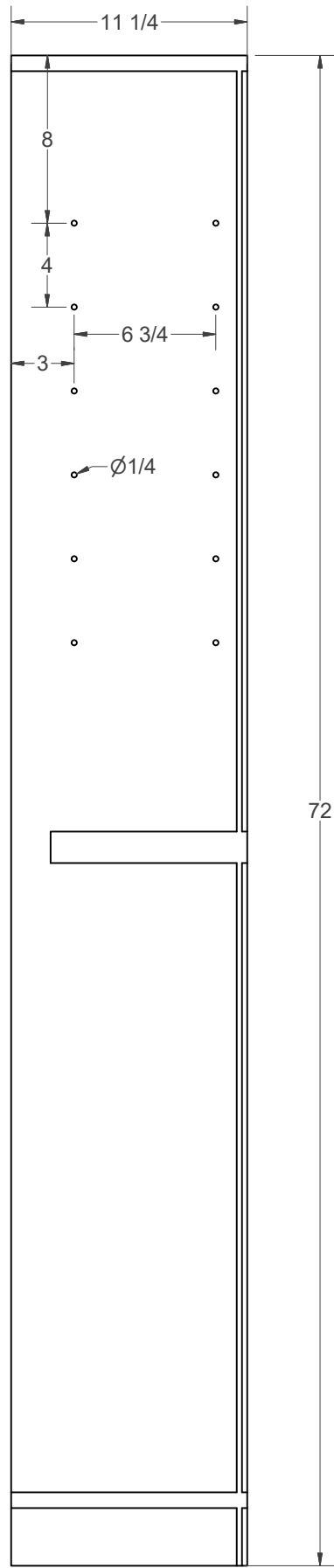


Router Table Wall Cabinet

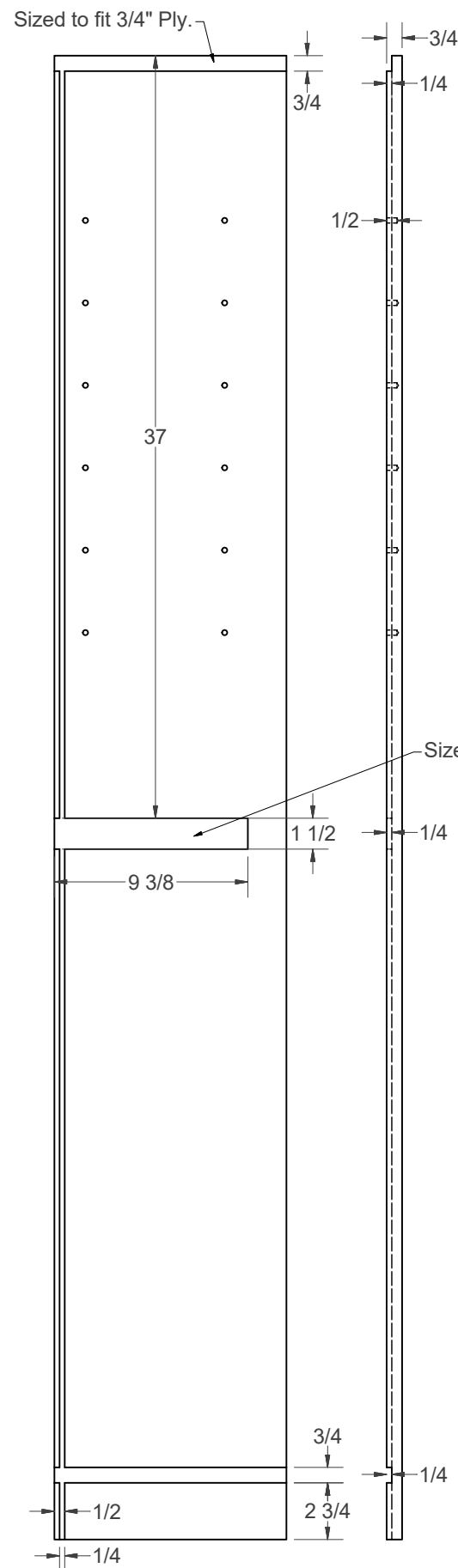




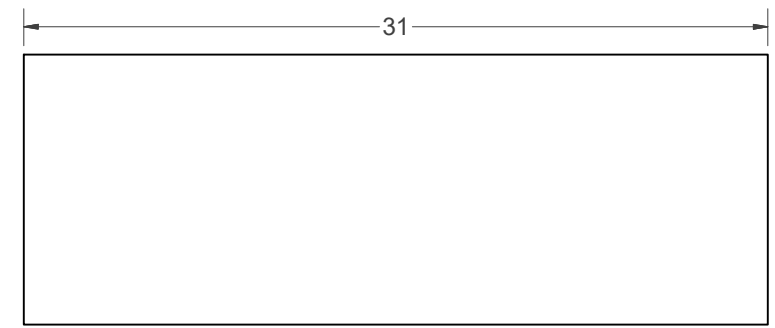
Side Section



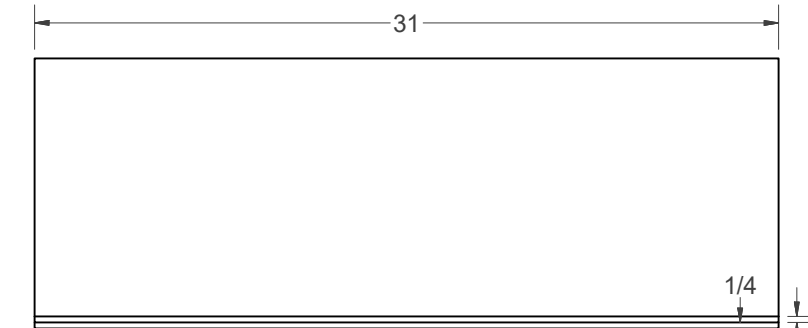
Left Side



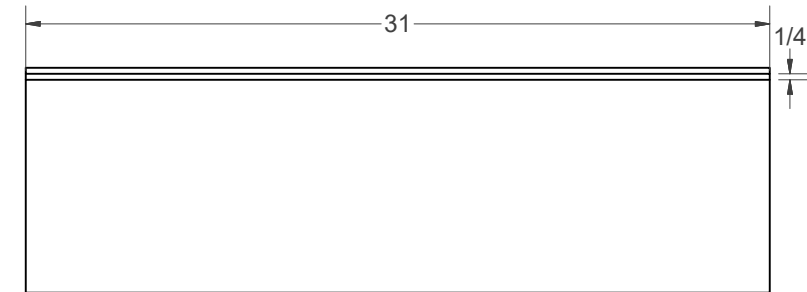
Right Side



Case Top

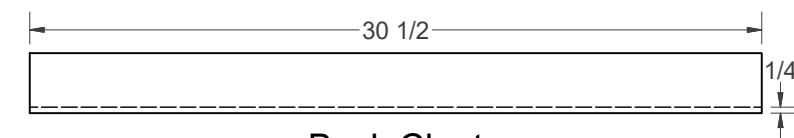


Case Bottom

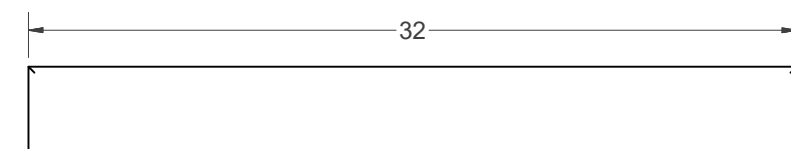


Center shelf Top/ Bottom

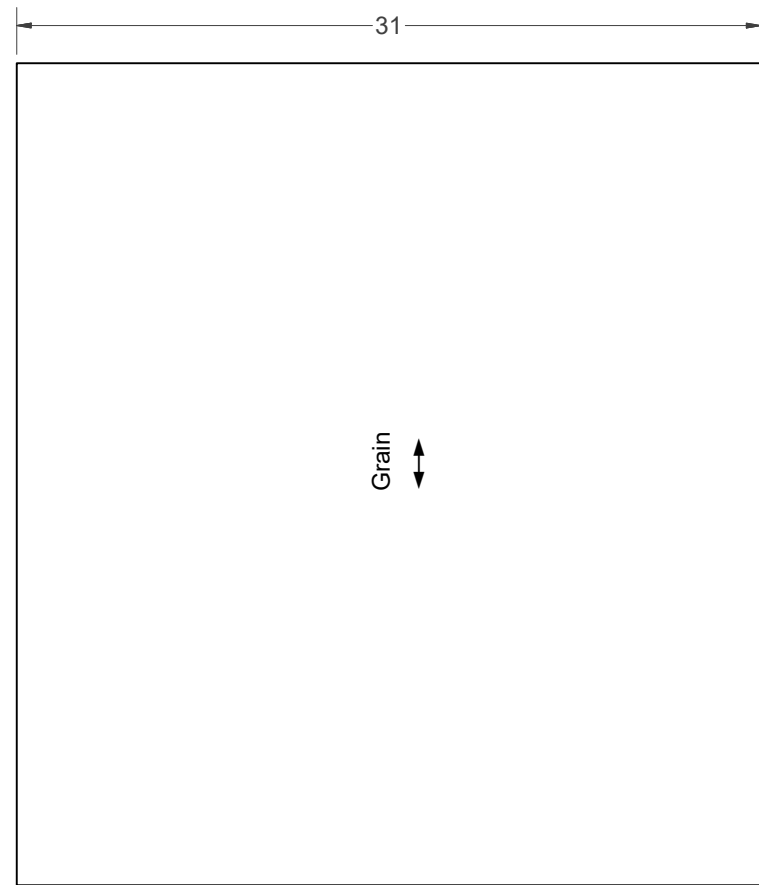
(Need 2)



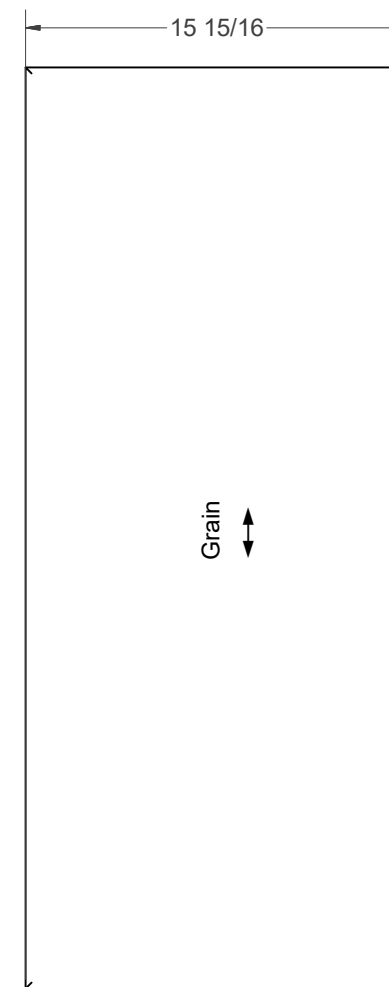
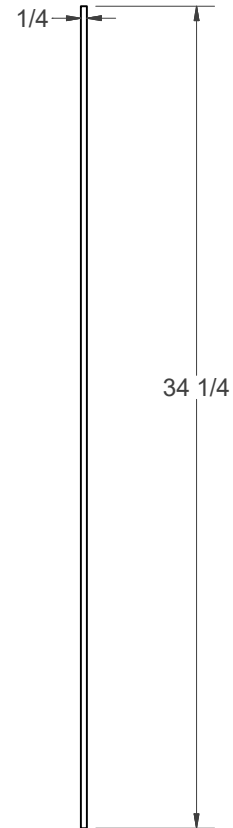
Back Cleat



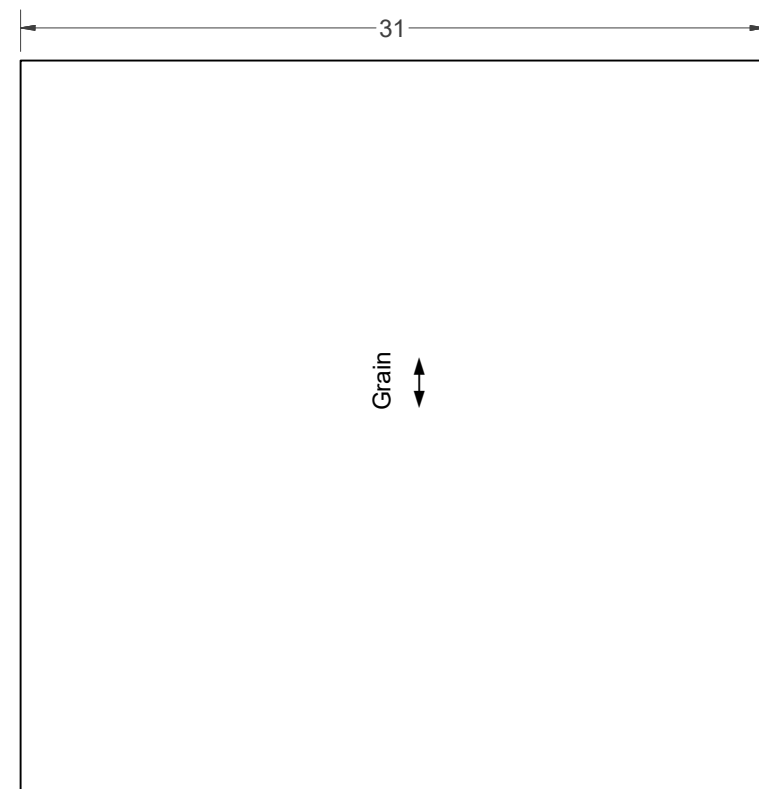
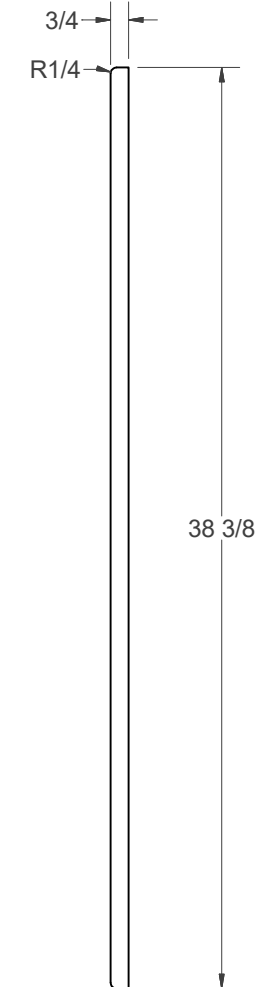
Kick
(Hard Maple)



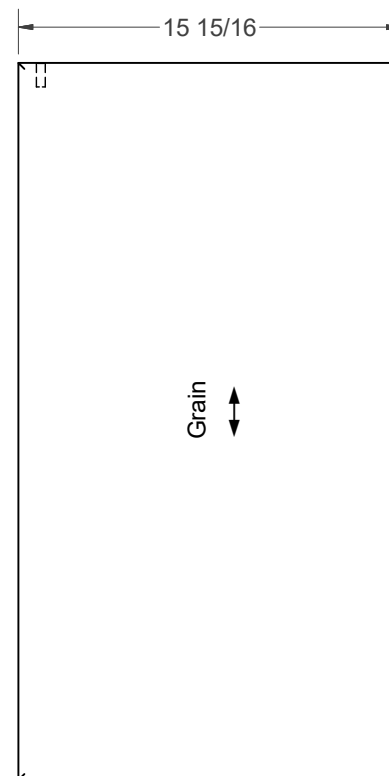
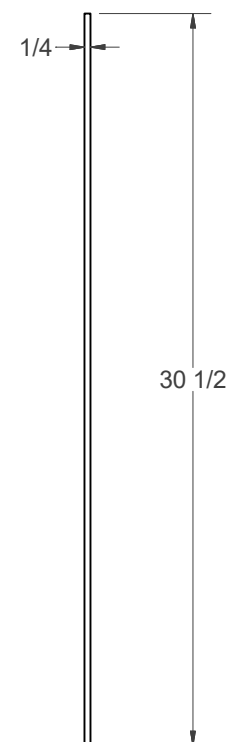
Upper Back



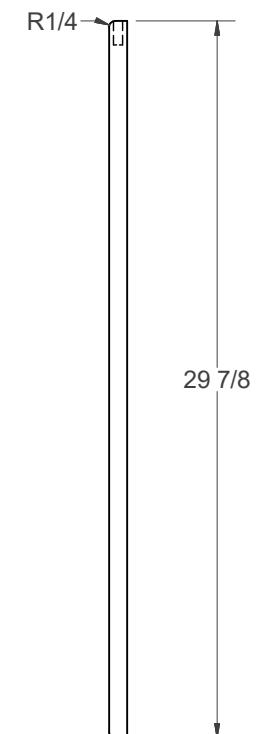
Upper Door
(Need 2)

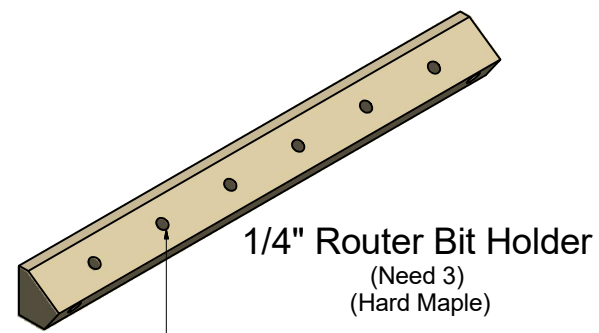


Lower Back



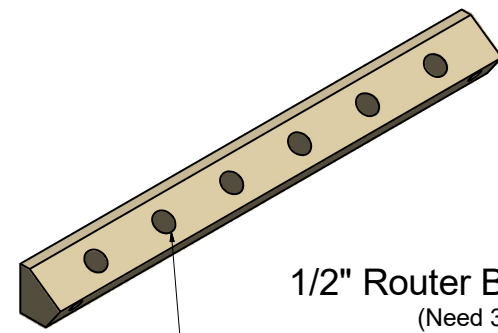
Lower Door
(Need 2)





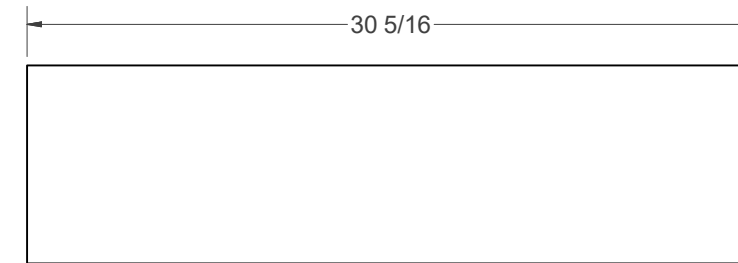
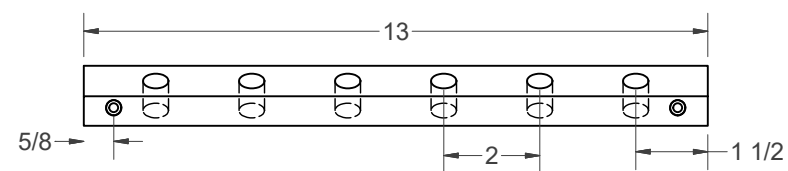
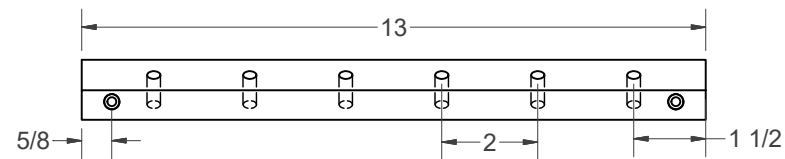
1/4" Router Bit Holder
(Need 3)
(Hard Maple)

9/32 Hole

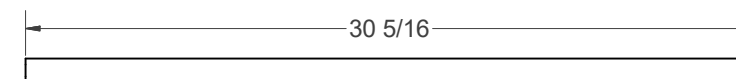


1/2" Router Bit Holder
(Need 3)
(Hard Maple)

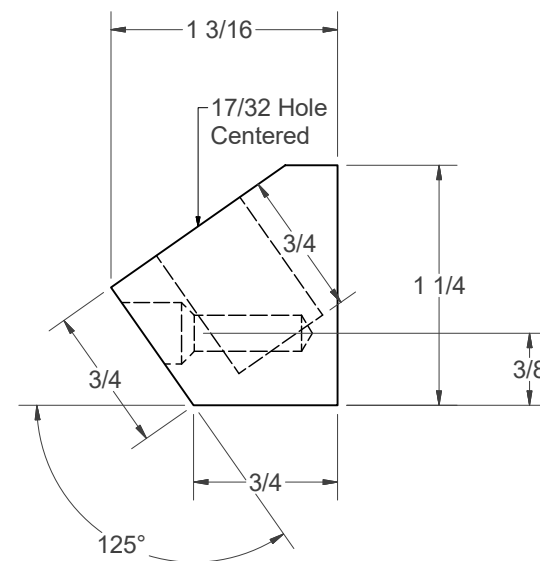
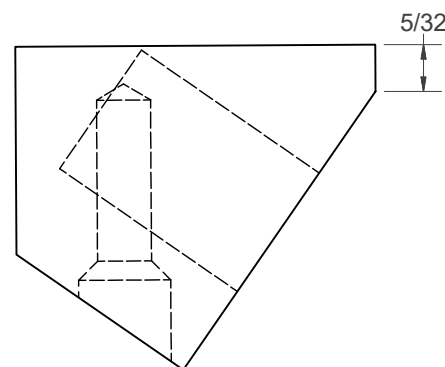
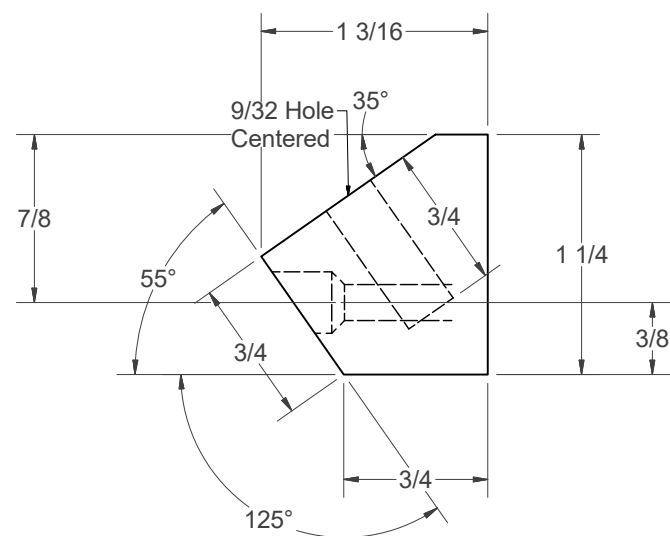
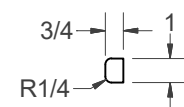
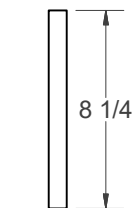
17/32 Hole

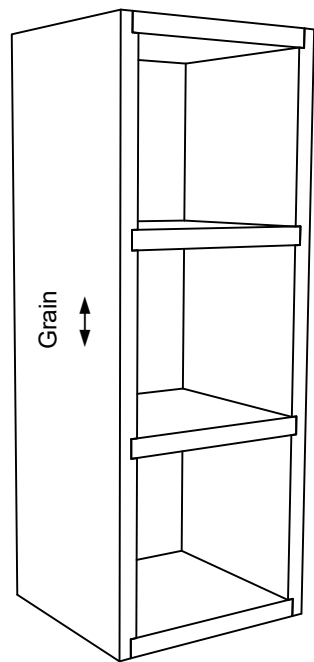


Shelf
(Need 3)



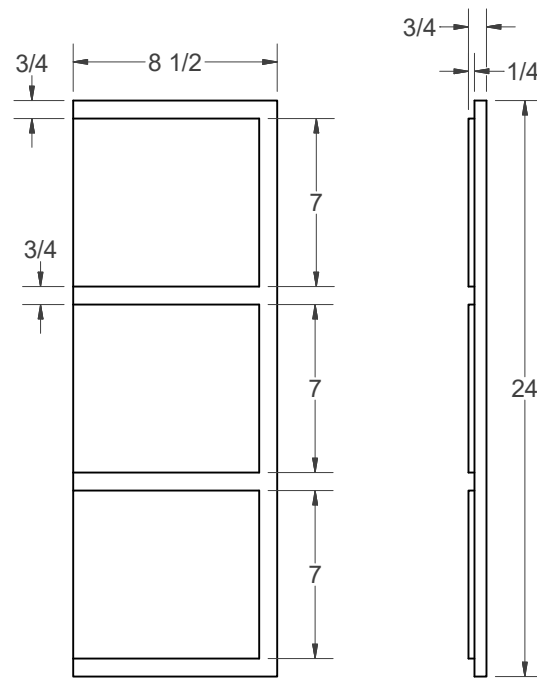
Shelf Edging
(Need 3)
(Hard Maple)



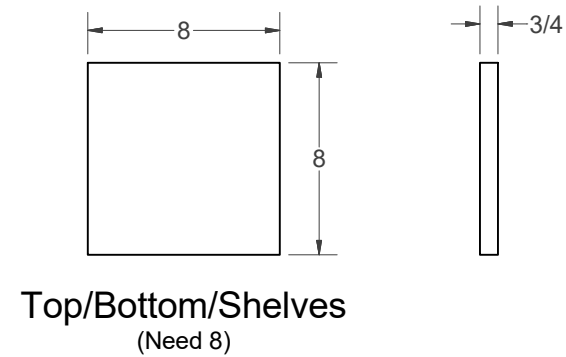


Storage Cubby
(Build 2)

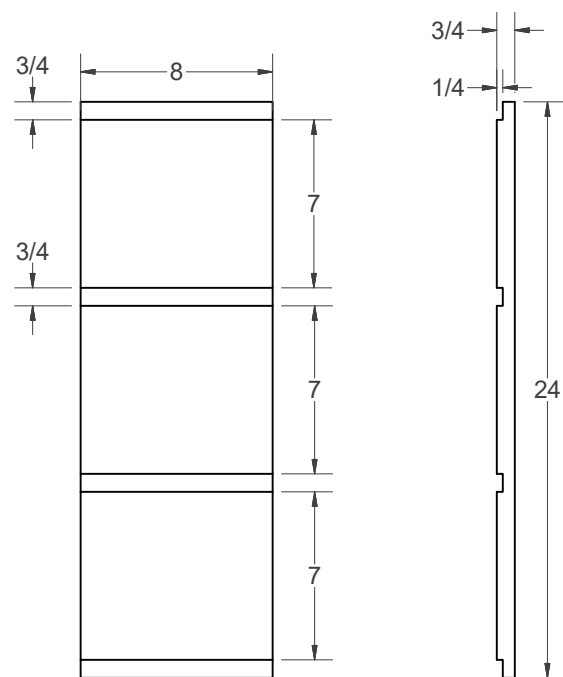
NOTE : All Dadoes and Rabbets sized to fit plywood



Side
(Need 4)



Top/Bottom/Shelves
(Need 8)



Back
(Need 2)

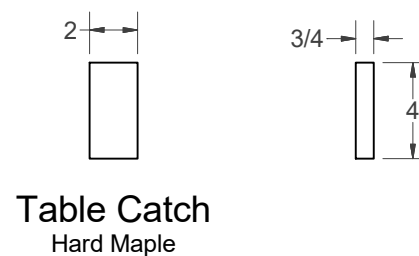
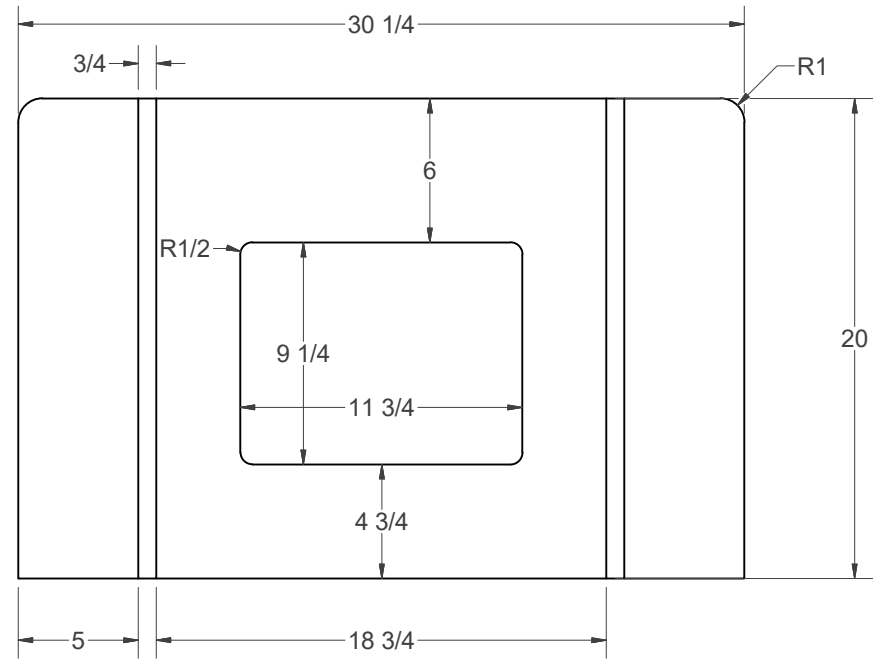
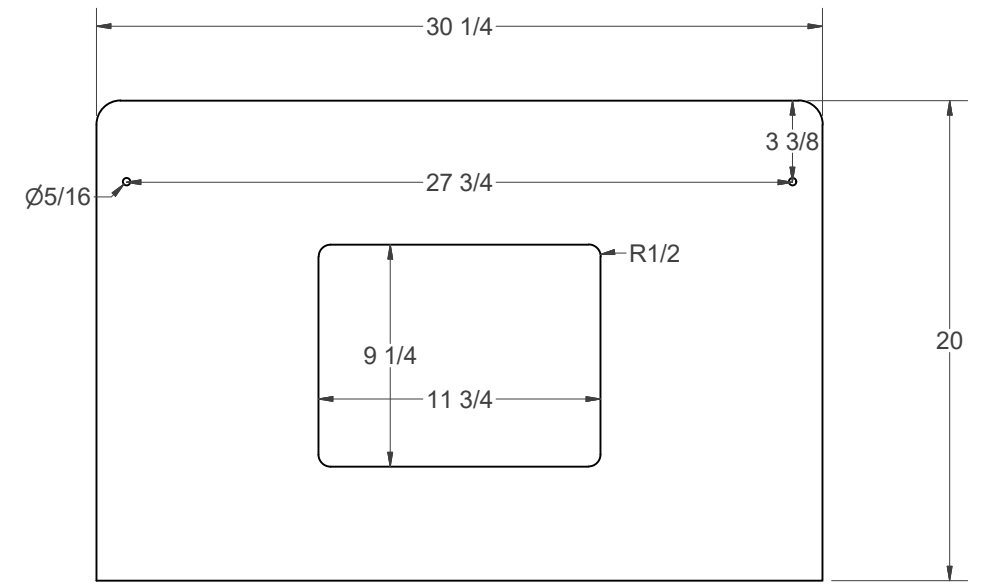
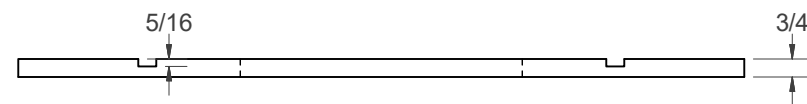


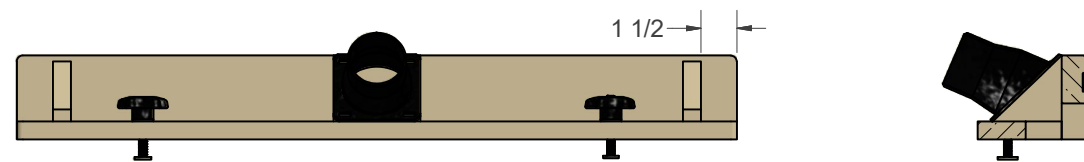
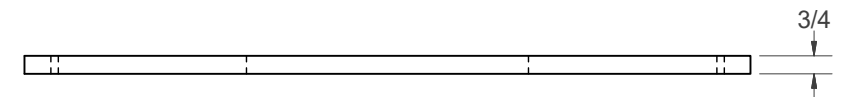
Table Catch
Hard Maple



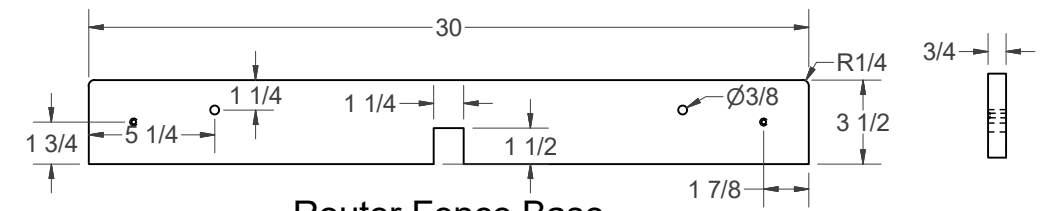
Router Table Top



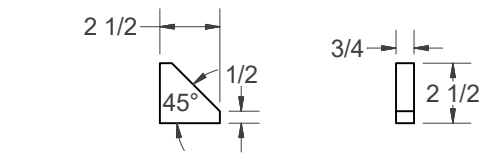
Router Table Bottom



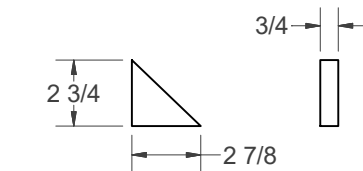
Back



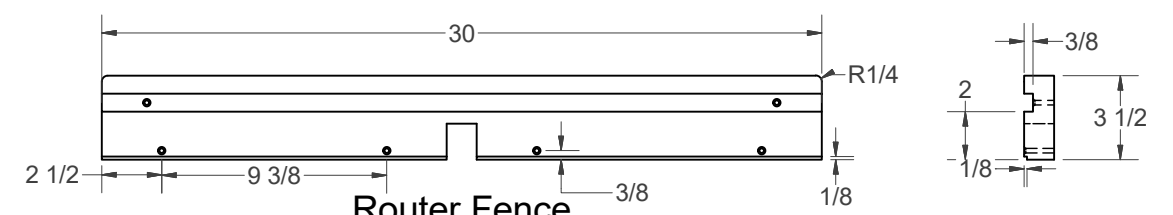
Router Fence Base
Hard Maple



Router Fence Gusset
(Need 2)
Hard Maple

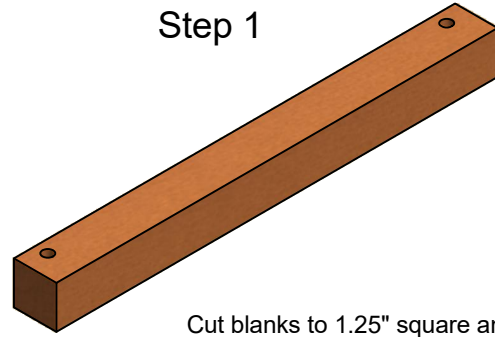


Dust Port Side Wall
(Need Two)



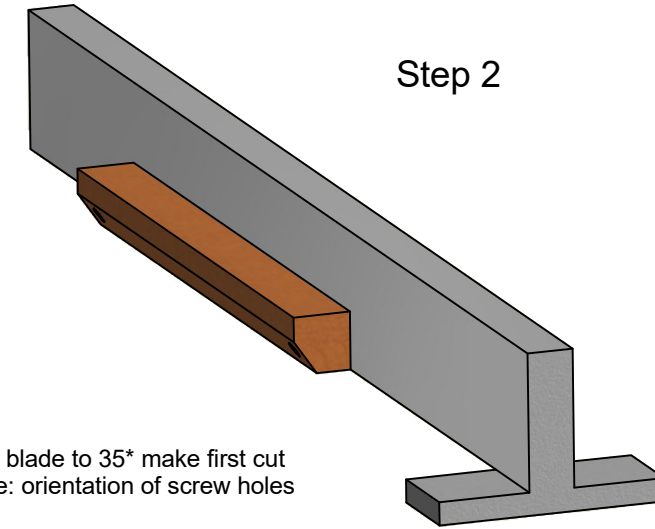
Router Fence
Hard Maple

Step 1



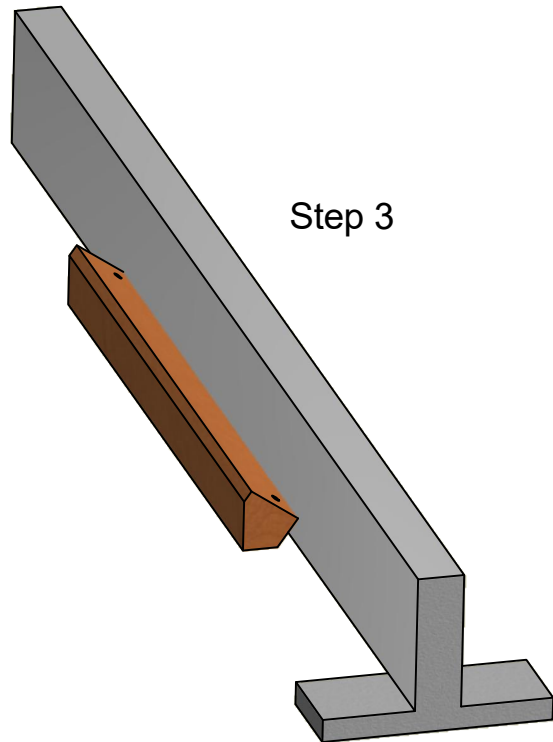
Cut blanks to 1.25" square and drill for mounting screws

Step 2



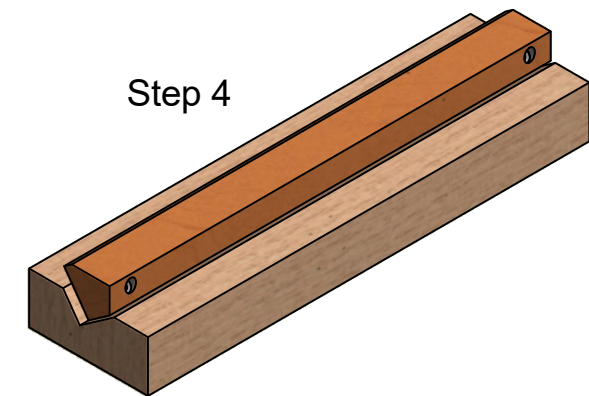
Tilt blade to 35° make first cut
Note: orientation of screw holes

Step 3

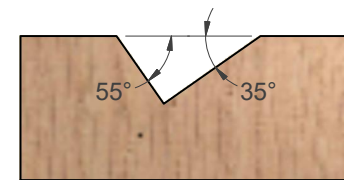


Return blade to 90° and rotate work piece counterclockwise

Step 4



Orient work piece in "V" block and drill appropriate shank hole



"V" Block