

EASYGARAGE®



Installation Instructions

For installation help or questions about your order, call:

1.888.991.1559

MaxMount Shelf System™

Installation Instructions

Layered Storage System kits are available in 32", 64", and 96" wide units. The 64" unit is referenced in these instructions for illustrative purposes. The 32" and 96" systems should be installed the same way.

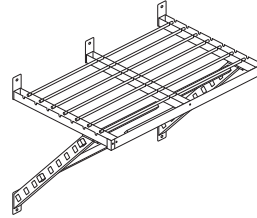
Tools Required:

Power Drill	Stud Finder
Tape Measure	1/2" Socket Wrench
3/16" Drill Bit	Screw Driver
Pencil	Level

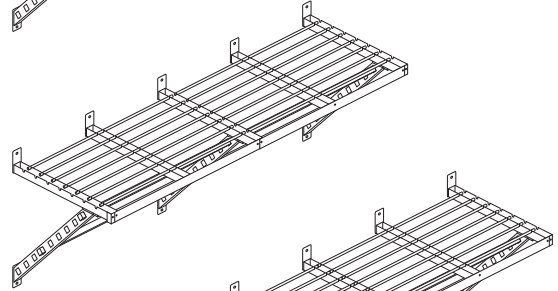
Hardware (included):

Lag Bolts
Washers
Flat Head Screws

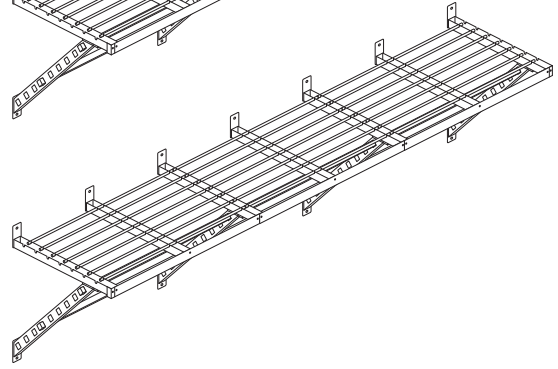
32" Wide Unit



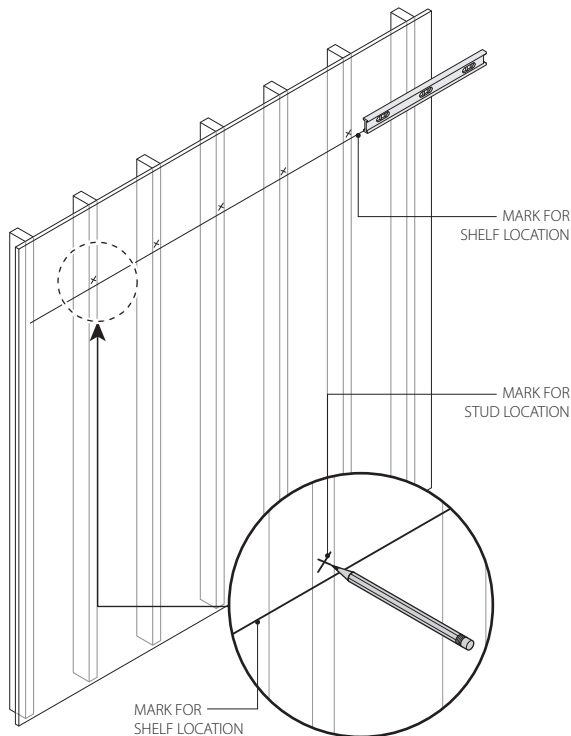
64" Wide Unit



96" Wide Unit

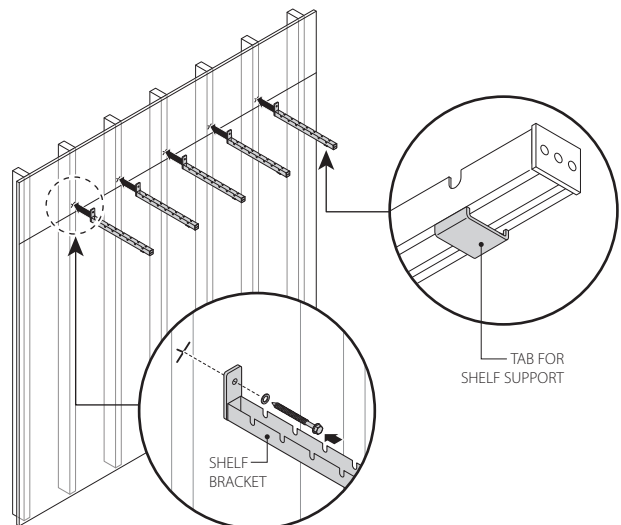


1. Using a stud finder, locate and mark studs. Draw a level line at desired top shelf height.

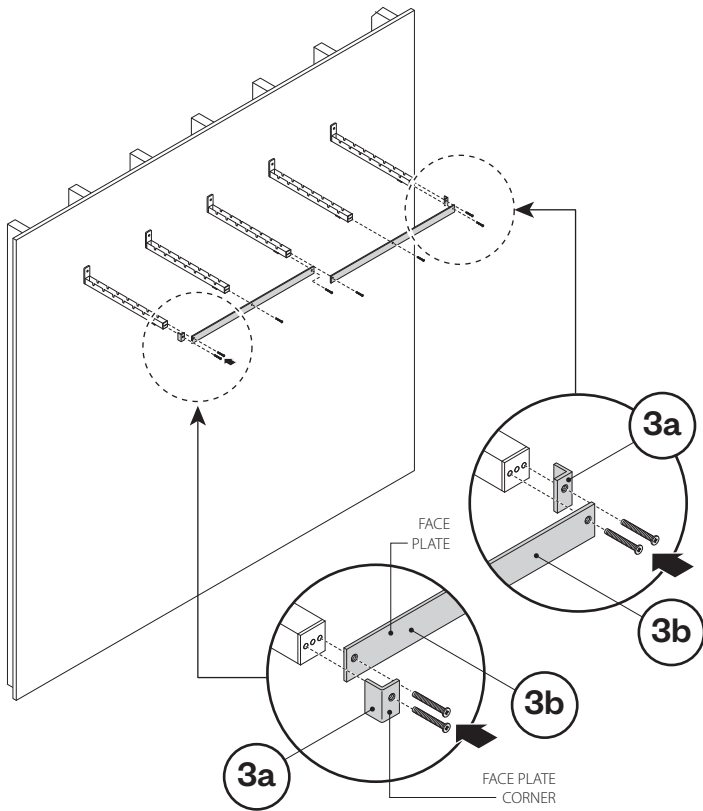


2. Drill pilot holes with a 3/16" drill bit. Secure each shelf bracket to wall using a washer and lag bolt. Lag bolts can be installed with a 1/2" socket wrench or power drill with a socket adapter.

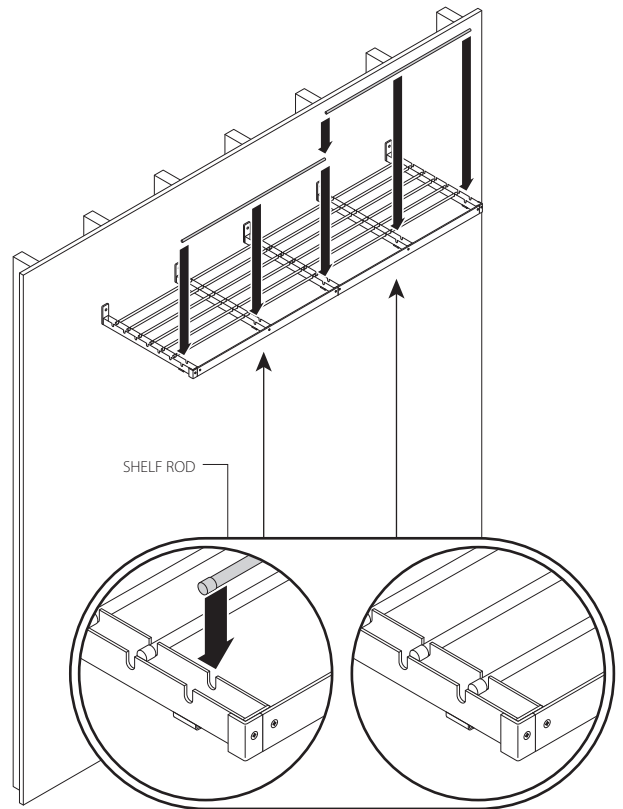
Note: Start on the left or right side with a shelf bracket that includes a tab for a shelf support. Every other shelf bracket in your installation should have a tab.



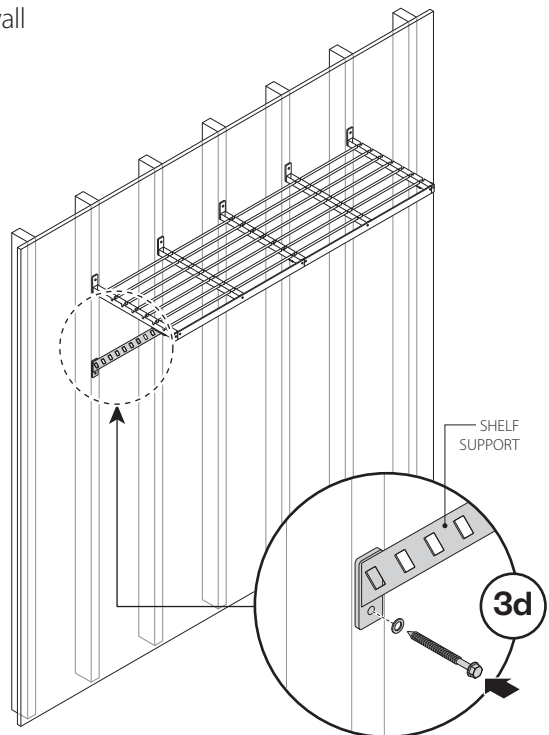
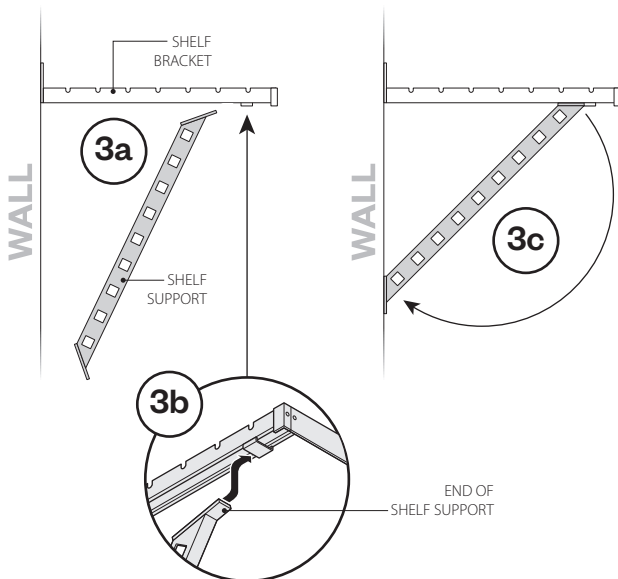
3. Install face plate corners first (3a), then install the face plates to shelf brackets using flat head screws (3b).



4. Snap shelf rods into shelf bracket grooves.



5. Install shelf supports. First align shelf support with tab located on underside of shelf bracket (3a). Insert end of shelf support into tab (3b). rotate shelf support so it is flat against wall (3c). Mark the hole location, remove shelf support and drill pilot hole with a 3/16" drill bit. Secure shelf support to wall using washers and lag bolts (3d).



6. Install hook bars (6a). Press and hold push buttons while sliding hook bar through desired square opening in shelf supports. Release push buttons once hook bar is in place (6c). Arrange and lower each hook onto hook bar (6d), then rotate and snap into place (6e).

