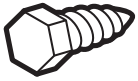


UNDERSTRUCTURE ASSEMBLY

ASSEMBLING WOOD TOP BENCHES.

HARDWARE REQUIRED:



12 lag bolts
3/8" long



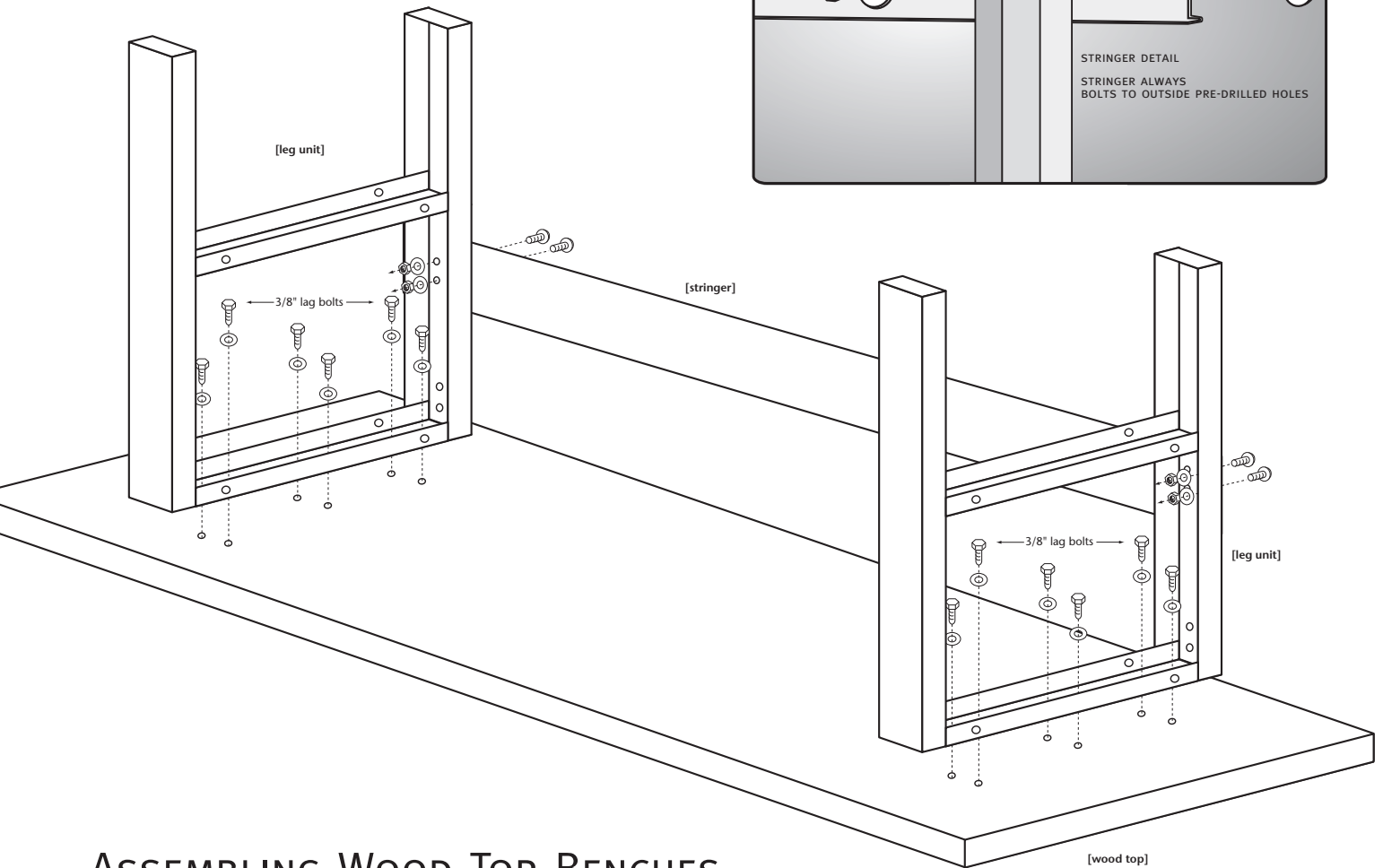
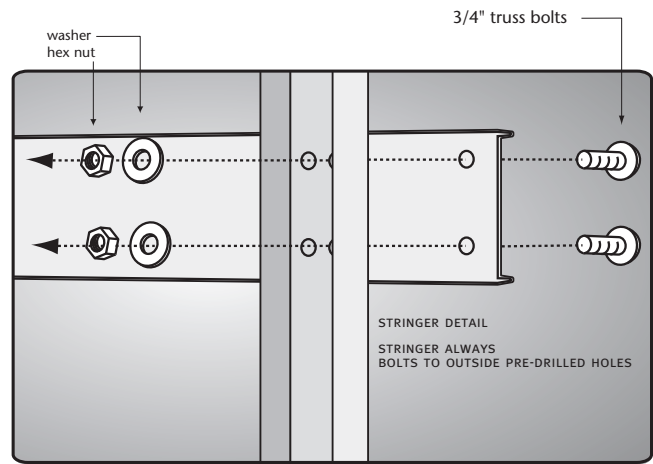
16 washers



4 truss bolts
3/4" long



4 hex nuts



ASSEMBLING WOOD TOP BENCHES.

Note: This assembly requires drilling unless wood tops were ordered pre-drilled. And holes drilled should be done using a 9/32" drill bit. We also recommend using liquid soap on all lag screws to ensure ease of assembly. Begin with wood top upside down. To scribe holes, loosely attach supplied stringer or bottom shelf to ensure proper distance between legs (approx. 3 1/2" from each side). Place legs on the top with the back of each leg flush with the back of the wood top. Mark holes on top. Remove legs and drill pilot holes using a 9/32" drill bit. Place legs back on top and set 3/8" lag bolts to wood top. Tighten stringer, bottom shelf or foot rest.

ASSEMBLING OTHER WOOD TOP ACCESSORIES.

Note: These instructions may include accessories you have not purchased. **Drawer Units:** Position open drawer on wood top and mark placement of holes (closed drawer should be set back 3/8" from front of top). Remove drawer and drill holes. Using 3/8" lag bolts, attach drawer to top. **End Plates and Back Plate:** With bench right side up, use method of marking and drilling holes. Attach end and back plate.