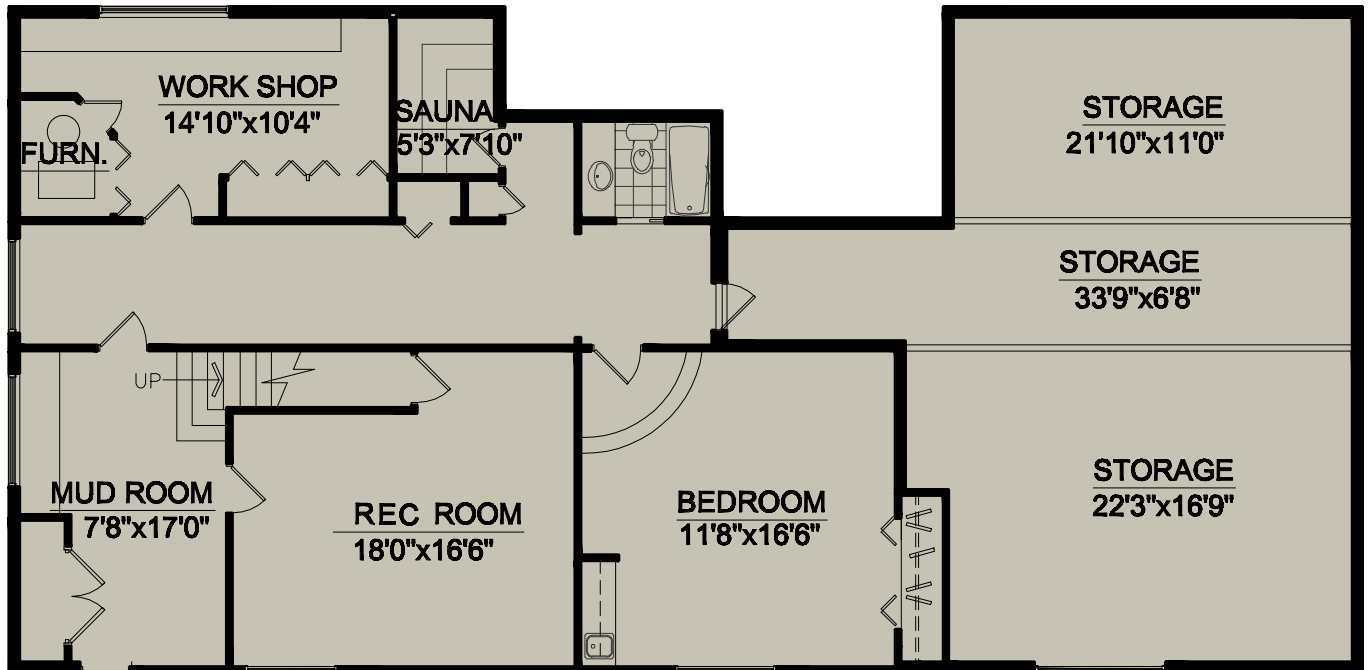


RAY AND LYNDA PROC

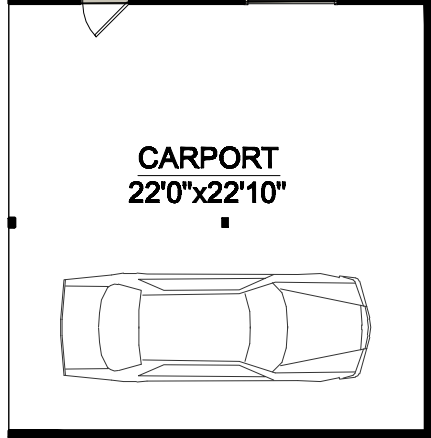
www.proc.ca

1125 MILLSTREAM WEST VANCOUVER, BC

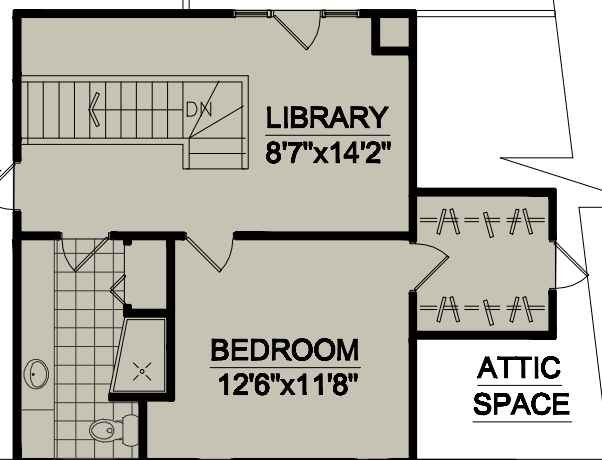
MAIN FLOOR	2652 SQ.FT.
UPPER FLOOR	587 SQ.FT.
LOWER FLOOR	1496 SQ.FT.
STORAGE	896 SQ.FT.
TOTAL FLOOR AREA	5631 SQ.FT.
PLUS CARPORT	541 SQ.FT.



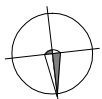
LOWER FLOOR



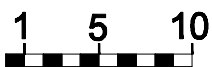
ATTIC SPACE



UPPER FLOOR



NORTH



SCALE