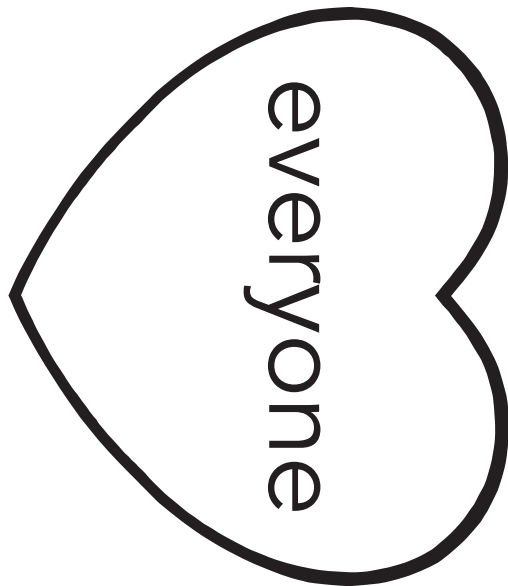
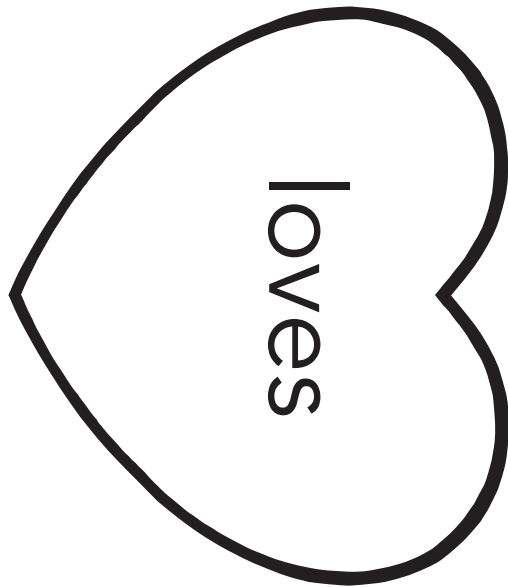
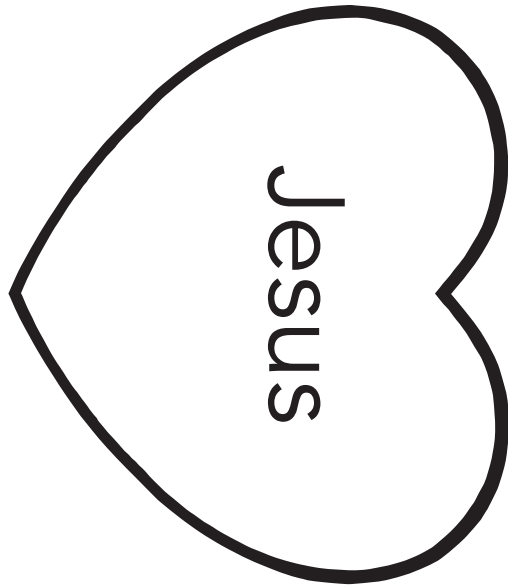
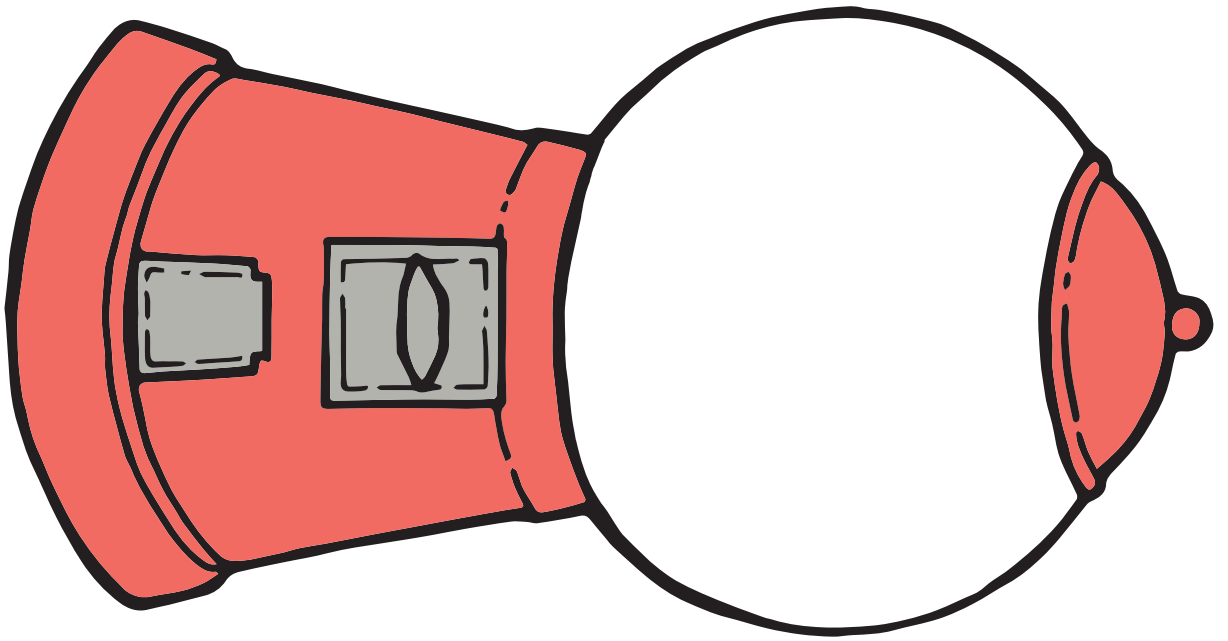


Three • B&W • Set of Three • February Week 4

Copy on white cardstock and cut along the dotted lines. One set of three per activity.

CURRICULUM FOR 2- YEAR OLDS • ©2017 The reThink Group. All rights reserved. • www.ThinkOrange.com

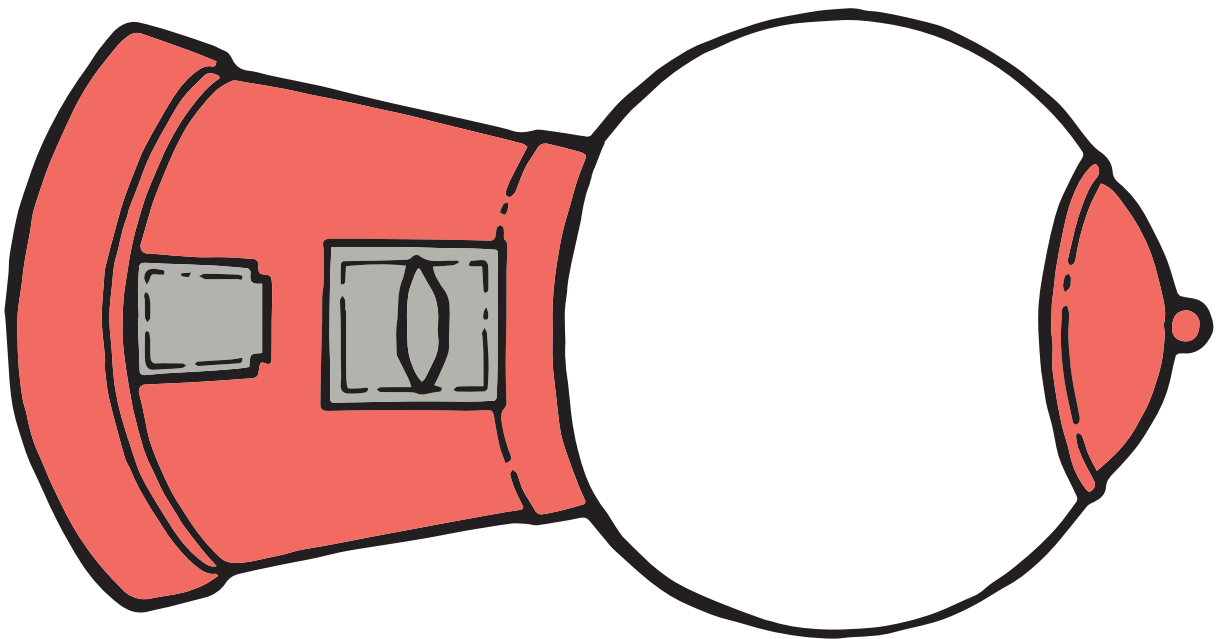




Jesus loves everyone.

Peter's Denial and Restoration

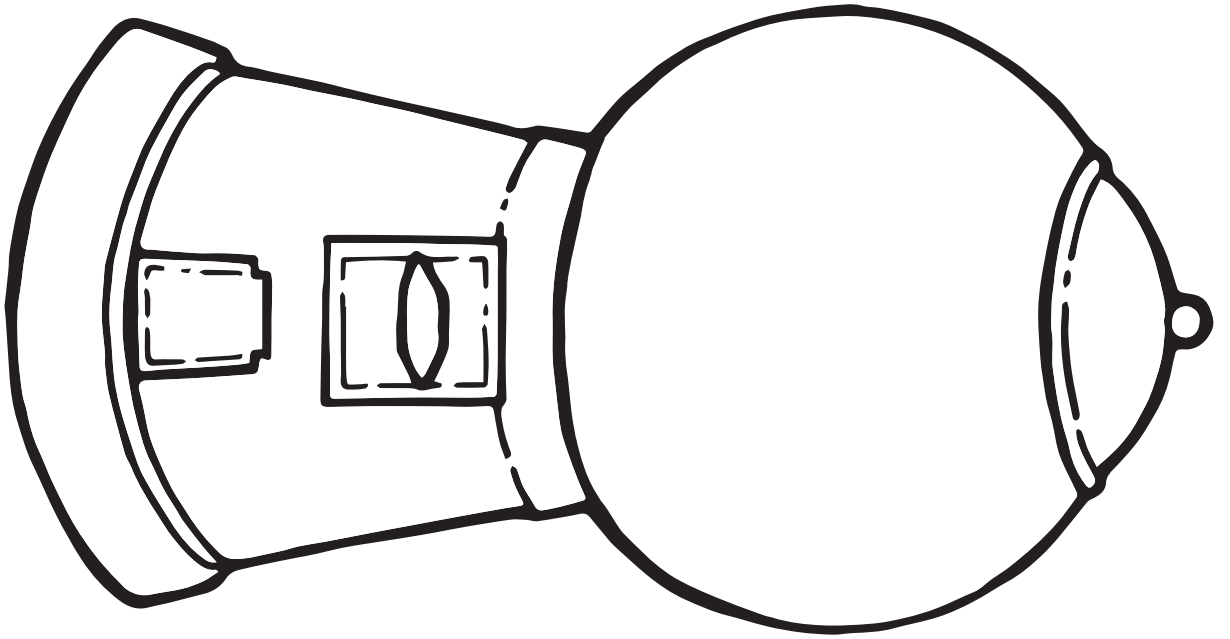
Matthew 26:31-35, 69-75; John 21:15-17



Jesus loves everyone.

Peter's Denial and Restoration

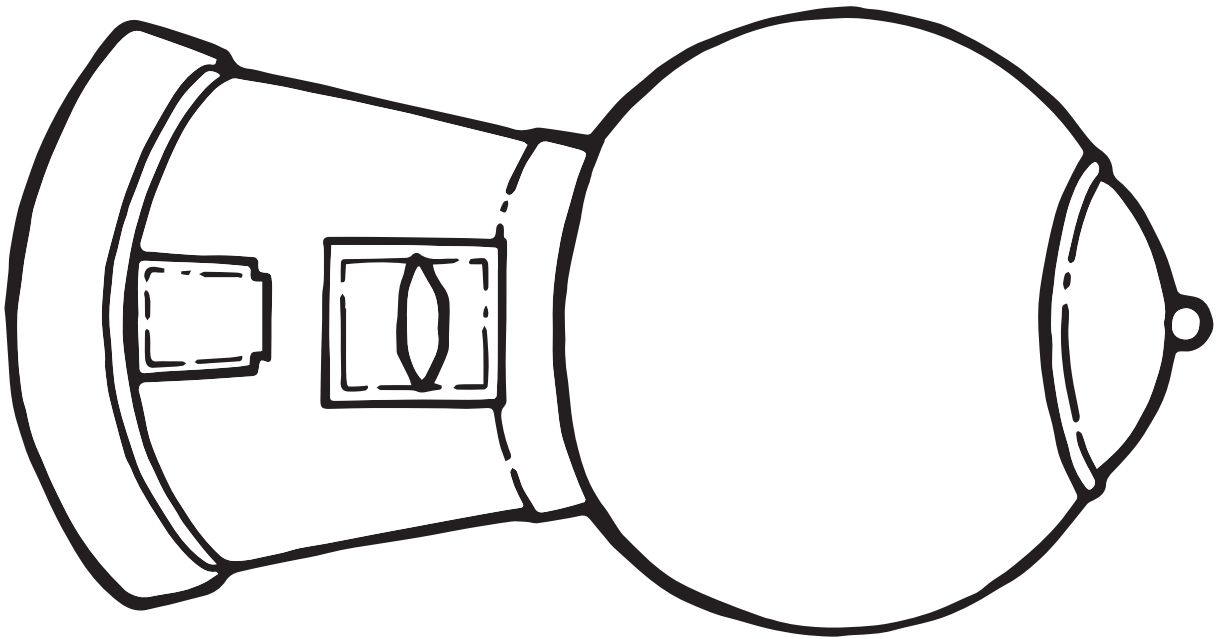
Matthew 26:31-35, 69-75; John 21:15-17



Jesus loves everyone.

Peter's Denial and Restoration

Matthew 26:31-35, 69-75; John 21:15-17



Jesus loves everyone.

Peter's Denial and Restoration

Matthew 26:31-35, 69-75; John 21:15-17

