

## LESSON SNAPSHOT

**BOTTOM LINE:**

The church is where we worship and serve God together.

**OBJECTIVE:**

Kids will think of ways they can serve in their church.

**KEY PASSAGE:**

Acts 4:32-35, The Believers Share Everything

**MEMORY VERSE:**

*"We know that "We all have knowledge." But knowledge makes people proud, while love builds them up. Those who think they know something still don't know as they should. But whoever loves God is known by God." 1 Corinthians 8:1b-3 (NIRV)*

**SUMMARY:**

After Jesus returned to Heaven, word spread about Jesus to all the world. His followers established churches everywhere they went, and that still continues today. Kids will learn about the early church, how they treated each other, and what that means for us today.

**SIMPLE PRAYER:**

*Dear God,*

*Thank you for our church.*

*In Jesus' name,  
Amen*

## MEMORY VERSE

*"We know that "We all possess knowledge." But knowledge puffs up while love builds up. Those who think they know something do not yet know as they ought to know. But whoever loves God is known by God." 1 Corinthians 8:1b-3 (NIV)*

*"We know that "We all have knowledge." But knowledge makes people proud, while love builds them up. Those who think they know something still don't know as they should. But whoever loves God is known by God." 1 Corinthians 8:1b-3 (NIRV)*

### **LARGE GROUP:**

Write each word of the verse on a poster board. Bring enough kids on stage so each kid can hold one of the words. Then have the kids unscramble the words and put them in order on stage so it can be read by the audience.

### **SMALL GROUP:**

Play the telephone game with the memory verse.

## SKIT

### THE ULTIMATE TRIVIA SHOW: ROUND NINE

#### ITEMS NEEDED:

Three podiums for the host and contestants on a game show

#### CHARACTER BREAKDOWN:

2M, 1F

#### CHARACTERS:

Bob Sunshine - Game Show Host

Phil and Millie - Contestants

*Game Show music plays as Bob walks on stage. He's really looking bad now.*

BOB: Hey gang. Welcome to The Ultimate Trivia Show. Welcome to the last show I will ever get to produce. My name is... Mud.

PHIL: No, your name is Bob.

BOB: Thank you, Phil. That's the first thing you've gotten correct all game.

PHIL: Do I get any points?

BOB: No!

PHIL: Drat.

BOB: If you're just joining us, Phil is the big loser because Millie has two million points.

MILLIE: That's right, boys! Millie is in the lead!

BOB: At the request of our producers, we're going to play a new game this round. This game is called, "Do Like They Do."

PHIL: Do like they do?

# SKIT

BOB: That's right, Phil. I will tell you something that some one or some group of people have done, and you will have to imitate it. Are we ready?

MILLIE: Come on, Bobby, I'm on a roll.

BOB: Okay, here goes nothing. If you visit a farm, you will see an animal called a chicken. For a hundred points, please, cluck like a chicken.

PHIL: Both of us?

BOB: Yes, both of you.

*Millie and Phil will both start to make some sort of animal noise and walk that sounds absolutely 100% NOTHING like a chicken!*

BOB: Stop! That's the worst chicken sound I ever heard. Has either of you ever seen a chicken?

MILLIE: Yes!

PHIL: Yes!

MILLIE: No.

PHIL: Yeah, not really.

BOB: Why am I not surprised? On to our second question. In the mid 1990s a dance craze broke out across America called the Macarena. For one hundred points each, do the Macarena.

*Play the "Macarena." Once again, Phil and Millie try and fail to do as asked, doing a terrible mash up of the running man, disco, the Carlton, and other bad dances.*

*Fade out the music.*

BOB: Wrong.

PHIL: Okay, disco kid, you do it!

# SKIT

BOB: Sorry, I don't dance. I just ask the questions. Let's go on to our final question. The early church was known for its generosity. Not only did they come together to worship God, they also helped each other out by giving generously. For one hundred points, show me how the early church gave.

MILLIE: You want me to give something? Like what? I don't have much cash.

PHIL: I got nothing. Not even points.

BOB: Millie, if I may, you have two million points. Perhaps you could give some of those up? You know, share them? With someone like—

MILLIE: Phil, you want a million points?

BOB: No!

PHIL: Yes! Yes, please! I'll take them!

BOB: No, you're supposed to give them back to me!

MILLIE: I want to give a million points to Phil. We'll both be sharing, and I'll still be in the lead with a million and one hundred points!

BOB: No!

PHIL: No, because I'll be sharing too! We will be tied at a million and a hundred each!

BOB: I'm leaving now!

MILLIE: Oh, Phil, I feel so good sharing like this. I'm sorry I didn't do it sooner.

BOB: I'm sorry I dropped out of veterinary school. Back in a moment, folks. Maybe.

PHIL: And I'm back in the game!

## OBJECT LESSON OR KIDS SERMON

### ITEMS NEEDED:

A casserole dish

How many families represented here eat at home at least 3-4 times a week? Those who do, does your Mom or Dad cook with one of these? This is called a casserole pan, and it's useful for cooking a lot of great recipes. Lasagna. Tuna noodle casserole. Baked chicken alfredo. Breakfast casserole. Seven layer bean dip. Spinach and artichoke dip. Macaroni and cheese. Even cake! What other recipes have you seen made in a dish like this?

Does anyone here think they could eat an entire casserole dish of mac and cheese? Be honest, who here could eat everything in a dish this size? No one! This is not a dish meant for one person. This is a dish for a meal that can be shared.

I don't think the early church had access to casserole dishes, but I imagine they would have used them. You see them all the time when we have meals here at our church, not to mention family gatherings, weddings, funerals, birthday parties, and more. It's a perfect dish for sharing, and that's exactly why God created the church: to share not just with each other, but the world.

God wants us to share our love and our resources with others. Let's thank him for what we've been given and ask him to use us to give to others.

## LARGE GROUP GAME

### BIBLE TRIVIA ROUND NINE

#### ITEMS NEEDED:

Buzzers (if available)

#### INSTRUCTIONS:

Every week, the kids will be playing a quiz game, answering questions about the Bible, specifically answering questions about the lesson from the week before. Choose two players, and give them buzzers (if available) or have them raise their hands to answer. The kid who answers the most questions correctly wins.

#### Here are the questions for week nine:

What did Jesus call the men he called to be his closest followers and students?

DISCIPLES

What job did Peter and John have before becoming disciples?

FISHERMEN

What job did Matthew have before becoming a disciple?

TAX COLLECTOR

How many disciples did Jesus have?

TWELVE

Which disciple betrayed Jesus?

JUDAS

Which disciple denied ever knowing Jesus three times?

PETER

Who became the leaders of the new church when Jesus went back to Heaven?

THE DISCIPLES

## LARGE GROUP LESSON

### **BOTTOM LINE:**

The church is where we worship and serve God together.

### **OBJECTIVE:**

Kids will think of ways they can serve in their church.

### **KEY PASSAGE:**

Acts 4:32-35, The Believers Share Everything

### **INTRO:**

How much do you guys know about your church? Today, before we dive into our lesson, I want to share with you a little trivia about our church.

For this opening section, prepare a series of questions for the kids about your church. Whether you are a new church or a long-established congregation, you have trivia to share. Some suggestions are:

What year was our church founded?

What was the original name of our church (if different)?

How many different buildings has this church had?

Who was the first pastor of our church?

When did our current pastor become our current pastor?

And so on...

Our church has an amazing history that is still being written. Today, we're going to look at the first church of Jesus, the church established by his followers in the book of Acts. When Jesus returned to Heaven, he sent his Holy Spirit to live in the hearts of those who believed. When those believers began to make disciples of other people, they established the first Christian church. Here's what the Bible tells us about the early church.

**READ ACTS 4:32-35**

# LARGE GROUP LESSON

## **MAIN POINT:**

Luke, the author of Acts, paints an amazing picture of the early church. These people were like a big family. They shared everything they had with one another. If someone had a need, they met it. They took up a collection, or they gave the people what they needed. They took the calling to love each other very seriously. They were generous with each other and the world around them.

God wants us to have a church just like that. God wants us to be giving, loving, and sharing. He wants us to care for each other in hard times. He wants us to meet the needs of our own community. He wants us to meet the needs of people in our community. The early church fully understood what it meant to love and give like Jesus, and they set a tough example for us to follow.

## **DRIVE IT HOME:**

I'd love to tell you that our church and others like it work just the way the early church did. Sometimes they do, but not always. It takes real commitment to live like Jesus, and it takes commitment to be a church like the early church.

There are times when churches come together and really look like the church of Acts. When someone passes away, other people in the church line up to help. We come and mourn with them. We make meals for the family and for the funeral. We open our hearts and give without question in times of need.

When there's a need in the community, the church is there. Churches have soup kitchens, food pantries, clothing closets, and other places to pool resources and give to those in need. It's our way of being Jesus' hands and feet, carrying the things people need to the people who need it most.

The church does a lot, but it could do so much more. In most churches only a handful of people do most of the work. As few as 10% of the people do 90% of the serving that goes on in a church. Imagine what we could do if 90 or even 100 percent of the people wanted to share with others. What would our church and our community look like?

A church needs individual believers to commit to sharing in order to reach that goal, and that's our prayer for you. We want all of you to become Christians who share with each other and the world. We need to give of our time, our money, and our things. We need to be generous, and we need to do it with the love of Jesus in our hearts.

History has shown when the church is willing to give and share, the family of God will grow. Let's thank God for the example of the early church, and let's ask him to make us a church that shares.

# LARGE GROUP LESSON

## CLOSE WITH A SIMPLE PRAYER:

*Dear God,*

*Thank you for our church.*

*In Jesus' name,*

*Amen*

## SMALL GROUP DISCUSSION (K-2ND)

### ICEBREAKER:

When did you first start coming to our church?

### MEMORY VERSE ACTIVITY:

**1 Corinthians 8:1b-3**

Play the telephone game with the memory verse.

### SMALL GROUP GAME/ACTIVITY:

Give the kids a snack - a bag of pretzels, or Goldfish crackers, or candy, or popcorn, and give them a minute to figure out the best way to share that snack fairly with one another.

### DISCUSSION QUESTIONS:

**Read Acts 4:32-35**

What did the early church believers share with each other?

What did they hold back from each other?

Why weren't there any needy people in the church?

What are ways some of the ministries in our church give to others?

What is something that you can do as kids to give here at church?

### SIMPLE PRAYER:

*Dear God,*

*Help us to be a church that shares.*

*In Jesus' name,*

*Amen*

## SMALL GROUP DISCUSSION (3-5TH)

### ICEBREAKER:

When did you first start coming to our church?

### MEMORY VERSE ACTIVITY:

**1 Corinthians 8:1b-3**

Play the telephone game with the memory verse.

### SMALL GROUP GAME/ACTIVITY:

Give the kids a snack - a bag of pretzels, or Goldfish crackers, or candy, or popcorn, and give them a minute to figure out the best way to share that snack fairly with one another.

### DISCUSSION QUESTIONS:

**Read Acts 4:32-35**

What did the early church believers share with each other?

What did they hold back from each other?

Why weren't there any needy people in their church?

What are ways some of the ministries in our church give to others?

What is something that you can do as kids to give here at church?

### SIMPLE PRAYER:

*Dear God,*

*Help us to be a church that shares.*

*In Jesus' name,*

*Amen*

## POWERPOINT REVIEW GAME

### JEOPARDY

Answer these in the form of a question!

This book of the Bible tells the story of the early church.

WHAT IS ACTS?

This word, used in the book of Acts, refers to the men who were once Jesus' disciples?

WHAT IS APOSTLE?

Because of the generosity of the early believers, no one in the early church was this.

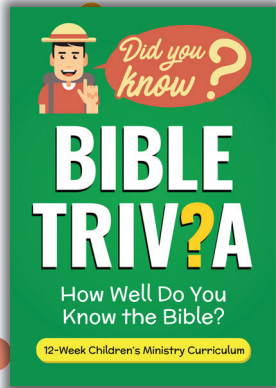
WHAT IS NEEDY?

Everyone had what they needed to survive because the early believers did this action well.

WHAT IS SHARE?

God wants the people who belong to this place to share with each other and the world.

WHAT IS THE CHURCH?



# MAKE IT STICK

5 Simple Ways You Can Make This Lesson Stick With your Kids

## Bible Trivia Lesson 9

### THIS WEEK'S LESSON: THE FIRST CHURCH



#### IN THE CAR:

Ask your child what they learned about this week on the drive home:

After Jesus returned to Heaven, word spread about Jesus to all the world. His followers established churches everywhere they went, and that still continues today. Kids will learn about the early church, how they treated each other, and what that means for us today. Acts 4:32-35, The Believers Share Everything



#### HANGING OUT:

Make this week's lesson real:

Are there some things at home you can take to church to share? Cans for the soup kitchen? Coats for the clothing closet? Anything else?



#### AT DINNER:

Here are some great discussion starters:

- Why were there no needy people in the early church?
- How do you think our church does at sharing?
- What is something we can do to be more sharing and giving at church?



#### AT BEDTIME:

Quiz your child on this week's memory verse:

*"We know that "We all have knowledge." But knowledge makes people proud, while love builds them up. Those who think they know something still don't know as they should. But whoever loves God is known by God." 1 Corinthians 8:1b-3 (NIRV)*



#### PARENT TIME:

What you need to know:

A church united can make a great impact on its community and the world. If you're not serving or sharing somewhere in the church, ask God to help you find a place you can serve. Set an example for your kids in service, sharing, and love.

## CRAFT ACTIVITY

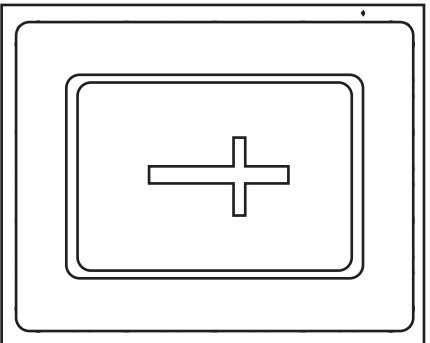
Each week the kids will make a trivia card to take home. After 12 weeks, kids who come every week will have a 12 card trivia game to play at home. Questions to put on this week's card can include:

What book of the Bible talks about the early church?

Why were there no needy people in the early church?

What do people in a church do?

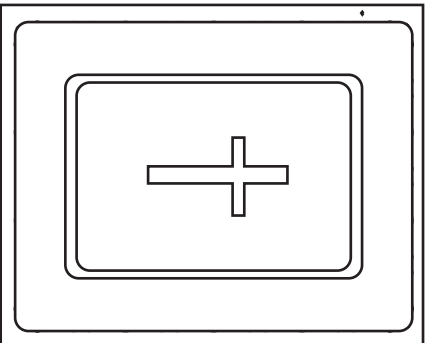
How can we better serve God in our church?



"We know that "We all have knowledge." But knowledge makes people proud, while love builds them up. Those who think they know something still don't know as they should. But whoever loves

God is known by God."

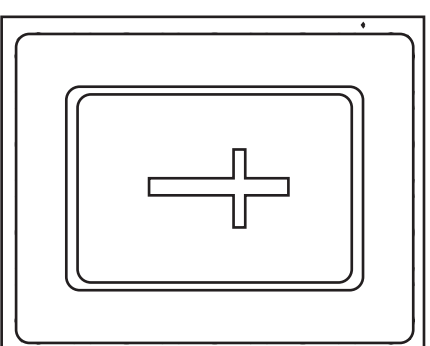
-1 Corinthians 8:1b-3 (NIRV)



"We know that "We all have knowledge." But knowledge makes people proud, while love builds them up. Those who think they know something still don't know as they should. But whoever loves

God is known by God."

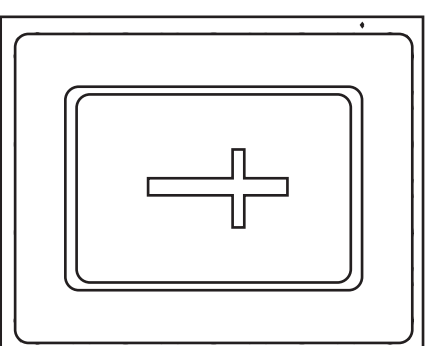
-1 Corinthians 8:1b-3 (NIRV)



"We know that "We all have knowledge." But knowledge makes people proud, while love builds them up. Those who think they know something still don't know as they should. But whoever loves

God is known by God."

-1 Corinthians 8:1b-3 (NIRV)



"We know that "We all have knowledge." But knowledge makes people proud, while love builds them up. Those who think they know something still don't know as they should. But whoever loves

God is known by God."

-1 Corinthians 8:1b-3 (NIRV)