

## LESSON SNAPSHOT

**BOTTOM LINE:**

The disciples set an example for us to follow.

**OBJECTIVE:**

Kids will learn who the disciples were.

**KEY PASSAGE:**

Mark 3:13-19, Jesus Appoints 12 Disciples

**MEMORY VERSE:**

*"We know that "We all have knowledge." But knowledge makes people proud, while love builds them up. Those who think they know something still don't know as they should. But whoever loves God is known by God." 1 Corinthians 8:1b-3 (NIRV)*

**SUMMARY:**

The 12 Disciples were Jesus' closest friends. Kids will learn who they were and how their lives show us how Jesus has asked us to live.

**SIMPLE PRAYER:**

*Dear God,*

*Make us disciples of Jesus.*

*In Jesus' name,  
Amen*

## MEMORY VERSE

*"We know that "We all possess knowledge." But knowledge puffs up while love builds up. Those who think they know something do not yet know as they ought to know. But whoever loves God is known by God." 1 Corinthians 8:1b-3 (NIV)*

*"We know that "We all have knowledge." But knowledge makes people proud, while love builds them up. Those who think they know something still don't know as they should. But whoever loves God is known by God." 1 Corinthians 8:1b-3 (NIRV)*

### **LARGE GROUP:**

Choose four kids who think they know the verse. Line them up on stage. Have the kids recite the memory verse, with each kid saying one word, starting left to right. When you get to the kid on the right, go back to the kid on the far left. Keep going until they get through the whole verse.

### **SMALL GROUP:**

Give each kid one word of the memory verse. They have to remember their word and then they all have to stand up and line up in order, so that when they say their word from left to right they will have said the memory verse.

## SKIT

### THE ULTIMATE TRIVIA SHOW: ROUND EIGHT

#### ITEMS NEEDED:

Three podiums for the host and contestants on a game show

#### CHARACTER BREAKDOWN:

2M, 1F

#### CHARACTERS:

**Bob Sunshine - Game Show Host**

**Phil and Millie - Contestants**

*Game Show music plays as Bob walks on stage. He's losing steam week by week.*

BOB: Hello again. Welcome to The Ultimate Trivia Show. If you're just joining us,

*Phil Brooks is trailing our leader. He currently has zero points.*

PHIL: I want a million dollar question. Like the one you gave her!

BOB: And our leader, Millie, has one million points.

MILLIE: Wooo hooo!

BOB: I would like to extend my apologies to our sponsors for allowing that to happen. I assure you, I will make it right here in the eighth round. Our category this round is followers. Question one, Phil. Who were the men Jesus chose to be his closest followers?

PHIL: The judges!

BOB: Ha! Wrong! The answer is disciples.

PHIL: That's a funny name.

BOB: Millie, here's your question. How many disciples did Jesus have?

MILLIE: Hmmm, how many. How many... was it, five?

# SKIT

BOB: I'm sorry, Millie, the answer is twelve.

PHIL: I think he's happy we're getting answers wrong this time.

MILLIE: Yeah, I thought you were on our side. What gives?

BOB: I'll ask the questions, thank you, and this one is for Phil. Phil, which disciple betrayed Jesus?

PHIL: Lando!

BOB: Wrong, it was Judas. Millie, which disciple denied knowing Jesus three times on the night he was arrested?

MILLIE: Lando?

BOB: Wrong! Peter is the answer we want here. Peter. Phil, next question. Which disciple was the only one of the twelve to die of natural causes?

PHIL: Third time's the charm. Lando!

BOB: No! The answer here was John.

PHIL: Are you sure? Which one was Lando?

BOB: Millie, that brings us to our double your money question. If you get this question right, you will double your money. If you get it wrong, you lose everything.

MILLIE: What?? That's not fair! You can't do that!

BOB: I have to! I don't want to lose my job. Millie, for two million points - or nothing! - name the twelve disciples.

MILLIE: Twelve disciples. Twelve disciples. Well we already said Judas. And Peter. And John.

BOB: Uh huh.

MILLIE: Andrew. James the Greater. James the Lesser.

BOB: Uh oh.

MILLIE: Thaddeus, Phillip, Simon the Zealot.

# SKIT

BOB: Please stop.

MILLIE: Matthew. Bartholomew. And...

PHIL: Come on, Millie, you can get this one.

BOB: Ha, I doubt that very much!

MILLIE: Doubting Thomas! That's it, right??

*Bob looks like a deer in the headlights.*

PHIL: Come on question man, is she right?

BOB: That's all for round eight of The Ultimate Trivia Show. And possibly my career.

PHIL: Did she get it right?

BOB: Of course she did!

MILLIE: Woo hoo! Two million big ones!

BOB: We'll be back after this break. I hope.

## OBJECT LESSON OR KIDS SERMON

### ITEMS NEEDED:

A T-shirt or another souvenir from a favorite sports team

*Show the T-shirt to the kids, and ask the kids to identify the team and the sport. Ask what teams the kids follow.*

We all have things we follow, be it sports, music, movies, news, books. You name a subject, there's someone who follows it. Sports fans know their favorite teams inside and out. Pokemon fans know all about Pokemon.

It's fun to follow sports and music and all sorts of entertaining things, but the most important person we can follow is Jesus. Jesus wants us to follow him so we can be more like him. The more we learn about Jesus, the more time we spend in prayer, the more we will be like him.

The disciples spent three years walking with Jesus, getting to know him personally so they could share him with others. Let's ask God to make us good followers so we can lead others to follow Jesus as well.

## LARGE GROUP GAME

### BIBLE TRIVIA ROUND EIGHT

#### ITEMS NEEDED:

Buzzers (if available)

#### INSTRUCTIONS:

Every week, the kids will be playing a quiz game, answering questions about the Bible, specifically answering questions about the lesson from the week before. Choose two players, and give them buzzers (if available) or have them raise their hands to answer. The kid who answers the most questions correctly wins.

#### Here are the questions for week seven:

In the Sermon on the Mount, Jesus began with a series of famous sayings called what?  
THE BEATITUDES

Which people did Jesus say would inherit the Earth?  
THE MEEK

What did Jesus say would happen to people who mourn?  
THEY WILL BE COMFORTED

Whom did Jesus say would be called the children of God?  
THE PEACEMAKERS

What was the last speech Jesus gave called?  
THE GREAT COMMISSION

What did Jesus tell his followers to do in the Great Commission?  
GO AND PREACH THE GOSPEL IN EVERY NATION

Final question: who can recite the famous quote, John 3:16?

## LARGE GROUP LESSON

### **BOTTOM LINE:**

The disciples set an example for us to follow.

### **OBJECTIVE:**

Kids will learn who the disciples were.

### **KEY PASSAGE:**

Mark 3:13-19, Jesus Appoints 12 Disciples

### **INTRO:**

There are certain people who are natural experts on certain trivia topics. Take baseball fans, for example. Baseball is a game of numbers. Every baseball player is tracked by their hitting percentage and slugging percentage. Pitchers are judged by wins, losses, and the ERA, earned run average. These things mean nothing to a non-baseball fan, but it's not uncommon for a fan of, say, the Cleveland Indians to know every Cleveland player's batting average and every pitcher's ERA.

Some rock bands have fans who know their music backwards and forwards. Beatles fans are a great example. Some Beatle fans are so in tune with their favorite band, they can tell you what song is playing, who is singing the lead vocal, what album it was on, when that album was released, and which Beatle wrote it.

There are experts in everything from Saturday Night Live to Michael Jackson to Harry Potter to Transformers. You name it, there are fans so excited about their favorite thing, they are like sponges. They know who played whom in what movie, what was changed from the book to the movie, who wrote this song, who played lead guitar on this track, and so on, and so on.

Today we're going to talk about a special group of followers. These men lived long before things like Pokemon, Star Wars, Marvel comics, and other fun fan bases. They weren't fans of any musician or any movie or any book. These men weren't really even fans. We call them disciples. I'm talking about the twelve men Jesus called to be disciples.

### **READ MARK 3:13-19**

### **MAIN POINT:**

# LARGE GROUP LESSON

Jesus chose twelve men to be his closest followers, his disciples. These men were with him more than anyone else during his time on Earth. The disciples saw every miracle. They heard every parable. They also had every parable explained to them. These men knew Jesus better than anyone, and when the time came, they were the ones who took the good news of Jesus to the world.

The twelve men Jesus chose were not the most educated or even the most religious. Peter, James, John, and Andrew were fishermen! Matthew was a tax collector, a job many people believed to be crooked and corrupt.

These were not perfect men, but they were perfect for the job Jesus had for them. When Jesus returned to Heaven, the disciples were the ones who established Jesus' church on Earth.

## **DRIVE IT HOME:**

Many times we look at our pastors and religious leaders as people who could do no wrong, but that's simply not the case. All of our pastors, all of our Sunday school teachers, every one of us in this church is a sinner. We're not perfect. We all make mistakes. We all need God's forgiveness, and we all need to ask forgiveness of others sometimes.

History and the Bible tell us that Jesus' disciples were brave men who were willing to die for their faith, but the Bible tells us one thing more. It tells us they were not perfect. We see the disciples getting into jealous quarrels several times, fighting over who would be Jesus' number two man. On the night Jesus was arrested, it was Judas, one of his own disciples, who betrayed him. All but two of the disciples fled and hid, afraid for their lives, when Jesus was arrested. Only Peter and John followed him to Jerusalem to see what would happen, but then Peter, Jesus' closest friend of all, denied he ever knew Jesus three times!

It's okay that we're not perfect because the disciples were not perfect. But just like the disciples, an imperfect person like all of us can become disciples of Christ. The work of Jesus goes on even today, and God wants us to follow not only Jesus' example, but the example set by those wacky, imperfect disciples.

Are you willing to be a disciple? Are you ready to get to know Jesus and carry his forgiveness to the world? If a couple fishermen and a tax collector can do it, so can we. Let's ask God to make us his disciples, so we can help others become followers of Christ.

# LARGE GROUP LESSON

## CLOSE WITH A SIMPLE PRAYER:

*Dear God,*

*Make us disciples of Jesus.*

*In Jesus' name,*

*Amen*

## SMALL GROUP DISCUSSION (K-2ND)

### ICEBREAKER:

Who is your favorite sports team?

### MEMORY VERSE ACTIVITY:

#### 1 Corinthians 8:1b-3

Give each kid one word of the memory verse. They have to remember their word and then they all have to stand up and line up in order, so that when they say their word from left to right they will have said the memory verse.

### SMALL GROUP GAME/ACTIVITY:

Play a game of Simon Says, and practice following the leader.

### DISCUSSION QUESTIONS:

#### Read Mark 3:13-19

How many disciples did Jesus pick?

Who were the twelve disciples?

What did Jesus say when he called the disciples?

Were the disciples perfect?

How did the disciples help to spread the good news for Jesus?

### SIMPLE PRAYER:

*Dear God,*

*Help us to follow you so that we can be your disciples.*

*In Jesus' name,*

*Amen*

## SMALL GROUP DISCUSSION (3-5TH)

### ICEBREAKER:

Who is your favorite sports team?

### MEMORY VERSE ACTIVITY:

#### 1 Corinthians 8:1b-3

Give each kid one word of the memory verse. They have to remember their word and then they all have to stand up and line up in order, so that when they say their word from left to right they will have said the memory verse.

### SMALL GROUP GAME/ACTIVITY:

Play a game of Simon Says, and practice following the leader.

### DISCUSSION QUESTIONS:

#### Read Mark 3:13-19

How many disciples did Jesus pick?

Who were the twelve disciples?

What did Jesus say when he called the disciples?

Were the disciples perfect?

How did the disciples help to spread the good news for Jesus?

### SIMPLE PRAYER:

*Dear God,*

*Help us to follow you so that we can be your disciples.*

*In Jesus' name,*

*Amen*

## POWERPOINT REVIEW GAME

### JEOPARDY

Answer these in the form of a question!

This is the number of disciples Jesus called.

WHAT IS TWELVE?

Peter, James, and John were this type of person before becoming disciples.

WHAT IS A FISHERMAN?

This disciple of Jesus was a tax collector before he became a follower of Christ.

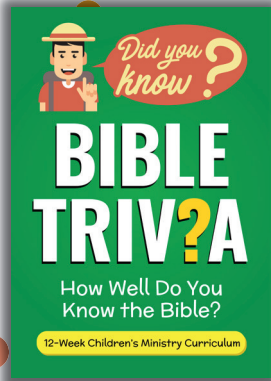
WHO IS MATTHEW?

This disciple of Jesus betrayed him.

WHO IS JUDAS?

If we follow Jesus, we can become one of these.

WHAT IS A DISCIPLE?



# MAKE IT STICK

5 Simple Ways You Can Make This Lesson Stick With your Kids

## Bible Trivia Lesson 8

### THIS WEEK'S LESSON: THE 12 DISCIPLES



#### IN THE CAR:

Ask your child what they learned about this week on the drive home:

The 12 Disciples were Jesus' closest friends. Today we learned who they were and how their lives show us how Jesus has asked us to live. Mark 3:13-19, Jesus Appoints 12 Disciples



#### HANGING OUT:

Make this week's lesson real:

What movies, sports, etc does your family follow the most? Quiz the kids on their favorite "fandom," then ask them how they can become better followers of Jesus?



#### AT DINNER:

Here are some great discussion starters:

- What kind of men did Jesus choose to be his disciples?
- Were the disciples perfect men? Why or why not?
- How can we become disciples like the first disciples?



#### AT BEDTIME:

Quiz your child on this week's memory verse:

*"We know that **'We all have knowledge.'** But knowledge makes people proud, while love builds them up. Those who think they know something still don't know as they should. But whoever loves God is known by God." 1 Corinthians 8:1b-3 (NIRV)*



#### PARENT TIME:

What you need to know:

A disciple is someone who follows Christ, learning from his example, and living the way Christ teaches so that they can draw others to Christ. Pray that God will make you and your children disciples who draw others to Jesus.

## CRAFT ACTIVITY

Each week the kids will make a trivia card to take home. After 12 weeks, kids who come every week will have a 12 card trivia game to play at home. Questions to put on this week's card can include:

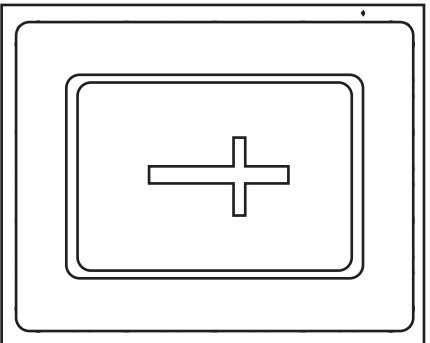
How many disciples did Jesus call?

What job did Peter, Andrew, James, and John have before becoming disciples?

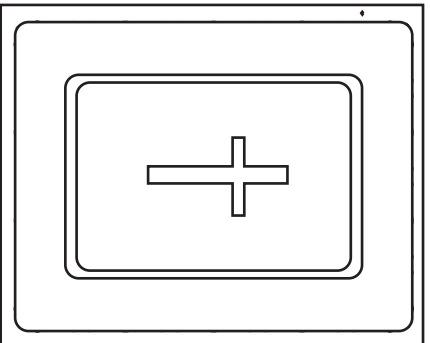
What did Judas do the night Jesus was betrayed and arrested?

How did the disciples help spread the good news of Jesus?

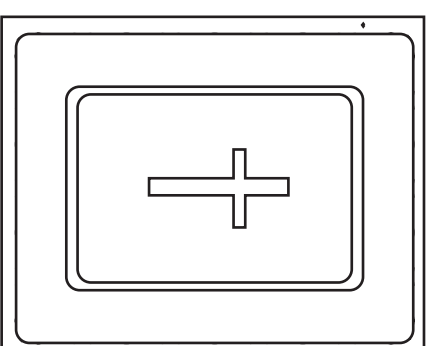
How can we become disciples of Jesus?



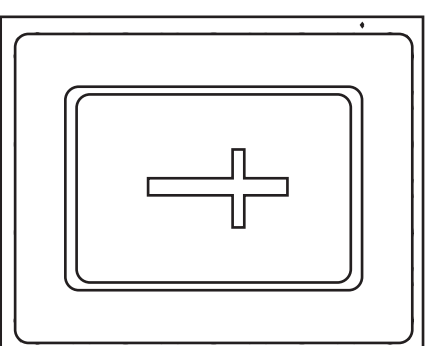
"We know that "We all have knowledge." But knowledge makes people proud, while love builds them up. Those who think they know something still don't know as they should. But whoever loves God is known by God."  
-1 Corinthians 8:1b-3 (NIRV)



"We know that "We all have knowledge." But knowledge makes people proud, while love builds them up. Those who think they know something still don't know as they should. But whoever loves God is known by God."  
-1 Corinthians 8:1b-3 (NIRV)



"We know that "We all have knowledge." But knowledge makes people proud, while love builds them up. Those who think they know something still don't know as they should. But whoever loves God is known by God."  
-1 Corinthians 8:1b-3 (NIRV)



"We know that "We all have knowledge." But knowledge makes people proud, while love builds them up. Those who think they know something still don't know as they should. But whoever loves God is known by God."  
-1 Corinthians 8:1b-3 (NIRV)