

## LESSON SNAPSHOT

**BOTTOM LINE:**

The words of Jesus show us how to live for him.

**OBJECTIVE:**

Kids will be able to explain some of the words of Jesus.

**KEY PASSAGE:**

Matthew 5:1-12, The Beatitudes; Matthew 28:16-20, The Great Commission

**MEMORY VERSE:**

*"We know that "We all have knowledge." But knowledge makes people proud, while love builds them up. Those who think they know something still don't know as they should. But whoever loves God is known by God." 1 Corinthians 8:1b-3 (NIRV)*

**SUMMARY:**

Many famous people are remembered for the words they spoke. Today, kids will learn some of the most important things Jesus said while he was here on earth.

Matthew 5:1-12 The Beatitudes, Matthew 28:16-20, The Great Commission

**SIMPLE PRAYER:**

*Dear God,*

*Thank you for the teachings of Jesus.*

*In Jesus' name,*

*Amen*

## MEMORY VERSE

*“We know that “We all possess knowledge.” But knowledge puffs up while love builds up. Those who think they know something do not yet know as they ought to know. But whoever loves God is known by God.” 1 Corinthians 8:1b-3 (NIV)*

*“We know that “We all have knowledge.” But knowledge makes people proud, while love builds them up. Those who think they know something still don’t know as they should. But whoever loves God is known by God.” 1 Corinthians 8:1b-3 (NIRV)*

### **LARGE GROUP:**

Have the kids recite the verse together, but have them talk like they are all robots.

### **SMALL GROUP:**

Split the verse up into sections, as many as you have kids in the group. Give each child a section to read or recite. See how well your group can read the verse together!

## SKIT

### THE ULTIMATE TRIVIA SHOW: ROUND SEVEN

#### ITEMS NEEDED:

Three podiums for the host and contestants on a game show

#### CHARACTER BREAKDOWN:

2M, 1F

#### CHARACTERS:

Bob Sunshine - Game Show Host

Phil and Millie - Contestants

*Game Show music plays as Bob walks on stage. He's losing steam week by week.*

BOB: Hello again. Welcome to the worst game show ever. We've gone through six rounds of trivia, and so far, neither one of these two have scored a point.

MILLIE: If this was golf, we'd be doing great!

BOB: Yes, that is true, completely pointless comparison, but true. We're now going on to famous quotes. I could ask you all a bunch of famous quotes from different people, but instead, I'm going to modify the topic to famous quotes that Jesus said. Just so we're clear, every one of these famous quotes was said by Jesus. Are you ready?

PHIL: I was born ready!

BOB: No, Phil you were not.

MILLIE: But I was!

BOB: Phil, for one hundred points, who said, "Blessed are the peace makers."

PHIL: Sponge Bob.

BOB: Wrong. Millie, want to make a guess?

# SKIT

MILLIE: Was it Squidward?

BOB: No, it was not Squidward. Once again, these are things that were said by Jesus. Phil, back to you. Who said, "Blessed are the poor in spirit?"

PHIL: LeBron James.

BOB: Really? LeBron James?

PHIL: Did I get it right?

BOB: No!

MILLIE: I know, I know, it was Steph Curry.

BOB: It was Jesus. Famous quotes said by Jesus. Next question, who said, "Blessed are the meek?"

PHIL: John Cena!

BOB: It was not John Cena.

MILLIE: I know something John Cena did say. "You can't see me!"

BOB: How I wish that were true. Thankfully, however, we've come to the last question in this round. For one hundred - no, let's make it a million points. Why not? Nobody's gonna get this. Who said, "Go into all the world and preach the gospel?"

PHIL: I know this. I got it. Oh come on, Phil, think!

BOB: Millie, any guess?

MILLIE: That sounds so familiar... was it... Jesus?

BOB: Did you say Jesus?

MILLIE: Yes!

BOB: I don't believe it. Someone got a right answer! She got the right answer!

MILLIE: I can't believe I just won a million points!

PHIL: Way to go!

# SKIT

BOB: A million? Who said anything about a million?

MILLIE: You did!

PHIL: We both heard you.

BOB: A million points. Heh. We don't have a million dollars to give.

MILLIE: Hey, no take backs! I get a million points.

BOB: I think we better take a break now, so I can apologize to the producers.

MILLIE: You better come back with my million points!

BOB: We'll see you after the break, folks!

## OBJECT LESSON OR KIDS SERMON

### ITEMS NEEDED:

A recipe card

Have an adult leader bring in a hand-written recipe card, something that's been handed down to them from someone in their family. Have them share what the recipe is for, who gave it to them, and what makes it special.

Recipes like this are special. They are family heirlooms, passed from one generation to the next. They are a guide to creating special meals the way they were first created many years ago, meals better than anything you can get at some cheap fast food restaurant.

The Gospels are a recipe for life, handed down by the followers of Jesus, so we could make a better life. Jesus shows us how to love him, how to love others, and how to live a life that honors him. Humility, love, compassion, these are the ingredients for a life well-lived.

Listen to the words of Jesus, and be careful to do what he says. You can live a life that pleases God and draws others to call him Lord.

## LARGE GROUP GAME

### BIBLE TRIVIA ROUND SEVEN

#### ITEMS NEEDED:

Buzzers (if available)

#### INSTRUCTIONS:

Every week, the kids will be playing a quiz game, answering questions about the Bible, specifically answering questions about the lesson from the week before. Choose two players, and give them buzzers (if available) or have them raise their hands to answer. The kid who answers the most questions correctly wins.

#### Here are the questions for week seven:

In what four books of the Bible do we find the story of Jesus?

THE GOSPELS

Where was Jesus born?

BETHLEHEM

Who were Jesus' parents?

MARY AND JOSEPH

What is the word for the amazing signs Jesus did, like healing the sick?

MIRACLE

How did Jesus die?

HE WAS CRUCIFIED/HUNG ON A CROSS

What happened after Jesus was buried?

HE ROSE FROM THE DEAD

Why did Jesus die?

TO FORGIVE OUR SINS/ GIVE US NEW LIFE

## LARGE GROUP LESSON

### **BOTTOM LINE:**

The words of Jesus show us how to live for him.

### **OBJECTIVE:**

Kids will be able to explain some of the words of Jesus.

### **KEY PASSAGE:**

Matthew 5:1-12, The Beatitudes; Matthew 28:16-20, The Great Commission

### **INTRO:**

I want to toss out some famous quotes this morning, and I want to see if any of you can recognize where these quotes come from. Tell me the name of the person who said it, if you know it, or you can tell me where it came from. Ready?

“Ask not what your country can do for you. Ask what you can do for your country.” -  
President John F. Kennedy

“I’m ready! I’m ready!” - Spongebob Squarepants

“Ehh, what’s up, doc?” - Bugs Bunny

Famous quotes can be a lot of fun in a trivia game. You can do quotes from history, quotes from movies, quotes from books. What’s really special about famous quotes, though, is what we learn from them. John F. Kennedy wanted us to consider how we can serve others to make America greater when he spoke his famous words. What can you do, he said, to make the world you live in a better place, rather than just taking from it?

Even in works of fiction, quotes can have a lot of meaning. Who knows where the words, “With great power comes great responsibility” come from? Those were the words of Peter Parker’s Uncle Ben, words that inspired him to become the hero Spider-Man.

Today we want to look at two famous quotes from Jesus. These words came at the beginning and the end of Jesus’ ministry, and they set the tone for us to learn how we can live a life that honors God.

# LARGE GROUP LESSON

Let's begin our study of Jesus words with a passage known as the Beatitudes.

## **READ MATTHEW 5:1-12**

The people listening to Jesus' speech on the mountain side were stunned. Blessed are the poor in spirit? Blessed are the meek? Blessed are those who mourn? What kind of crazy talk is this? Jesus said that we are blessed when we humble ourselves and follow him. We are not blessed by the things of this world, but by heavenly things. This was just the beginning of Jesus turning our understanding of what's important upside down.

## **READ MATTHEW 28:16-20**

### **MAIN POINT:**

Jesus wants us to be different. He wants us to put him first instead of our selfish desires and the desires of the world. Then, he wants us to go out and share him with everyone we meet.

Jesus left his throne in Heaven to be born to a humble carpenter and his young wife. He didn't just tell us how to be humble and serve others. He showed us. Jesus left us an example in words and actions that we need to follow so that other people can know him as their Savior!

### **DRIVE IT HOME:**

The world we live in has its own advice when it comes to living life. We are told to "Go for the gold!" We are told "He who has the most toys when he dies, wins!" Coaches tell us "There's no such thing as second place. There's only the first loser." One famous movie character made a statement that many rich and powerful people would be ashamed to admit they agree with: "Greed is good."

God wants us to pursue excellence in all we do, whether it's schoolwork, sports, or a real world job, but God wants us to pursue these things with the words of Jesus in mind. We don't seek to get ahead and put other people down. We look for ways we can serve others. We don't brag about our successes and achievements. We give thanks to God in humility. We don't consider ourselves better than other people. We remember that we are sinners and that Jesus saved us.

There's nothing harder for some people to understand about Jesus than the call to humble ourselves and serve, but that's exactly what allows us to stand out and show that we are different. People will know we are Christians by our humility, by our love, and by our servant's heart. People will believe the words we say about Jesus because they see it in our actions.

# LARGE GROUP LESSON

The words of Jesus are worth learning because they show us how to live a life that pleases him. Let's ask God to help us remember the words of Jesus and make us an example in a world that needs Him badly!

## **CLOSE WITH A SIMPLE PRAYER:**

*Dear God,*

*Thank you for the teachings of Jesus.*

*In Jesus' name,*

*Amen*

## SMALL GROUP DISCUSSION (K-2ND)

### ICEBREAKER:

What is one of your favorite quotes?

### MEMORY VERSE ACTIVITY:

#### 1 Corinthians 8:1b-3

Split the verse up into sections, as many as you have kids in the group. Give each child a section to read or recite. See how well your group can read the verse together!

### SMALL GROUP GAME/ACTIVITY:

Choose one person in the group to be "it." Have them step away for a moment. Have the rest of the kids pick a TV, movie, or cartoon character they can act out. Bring the person who is "it" back into the group. Give them three minutes to try and guess who everyone else is by the way they are acting.

### DISCUSSION QUESTIONS:

Read Matthew 5:1-12, Matthew 28:16-20

Who are some of the people Jesus calls blessed?

What is different about how Jesus says to live versus how the world says we should live?

What did Jesus tell us to do before going back to Heaven?

How can we show people that Jesus loves them by our actions?

### SIMPLE PRAYER:

*Dear God,*

*Help us to live like Jesus lived.*

*In Jesus' name,  
Amen*

## SMALL GROUP DISCUSSION (3-5TH)

### ICEBREAKER:

What is one of your favorite quotes?

### MEMORY VERSE ACTIVITY:

#### 1 Corinthians 8:1b-3

Split the verse up into sections, as many as you have kids in the group. Give each child a section to read or recite. See how well your group can read the verse together!

### SMALL GROUP GAME/ACTIVITY:

Choose one person in the group to be "it." Have them step away for a moment. Have the rest of the kids pick a TV, movie, or cartoon character they can act out. Bring the person who is "it" back into the group. Give them three minutes to try and guess who everyone else is by the way they are acting.

### DISCUSSION QUESTIONS:

Read Matthew 5:1-12, Matthew 28:16-20

Who are some of the people Jesus calls blessed?

How is Jesus' advice different from the world's definition of success?

What did Jesus tell us to do before going back to Heaven?

How are these two passages of Jesus' words connected?

How can we show people that Jesus loves them by our actions?

### SIMPLE PRAYER:

*Dear God,*

*Help us to live like Jesus lived.*

*In Jesus' name,*

*Amen*

## POWERPOINT REVIEW GAME

### JEOPARDY

Answer these in the form of a question!

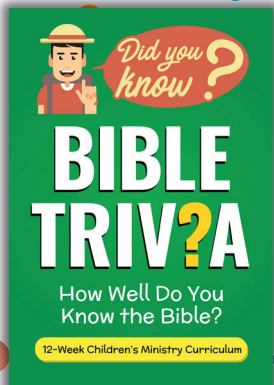
These are the people Jesus said would inherit the Earth.  
WHO ARE THE MEEK?

Jesus said these people will be called the children of God.  
WHO ARE THE PEACEMAKERS?

Jesus said these people will be comforted.  
WHO ARE THOSE THAT MOURN?

Blessed are the merciful, for they will be shown this.  
WHAT IS MERCY?

Jesus told us to go to these places and preach the Gospel.  
WHAT ARE ALL THE NATIONS?



# MAKE IT STICK

5 Simple Ways You Can Make This Lesson Stick With your Kids

## Bible Trivia Lesson 7

### THIS WEEK'S LESSON: THINGS JESUS SAID



#### IN THE CAR:

Ask your child what they learned about this week on the drive home:

Many famous people are remembered for the words they spoke. Today, we learned some of the most important things Jesus said while he was here on earth. Matthew 5:1-12, The Beatitudes; Matthew 28:16-20, The Great Commission



#### HANGING OUT:

Make this week's lesson real:

Share some of your favorite famous quotes with the kids, then read the words of Jesus from Matthew 5 and 28 together.



#### AT DINNER:

Here are some great discussion starters:

- How did Jesus tell us we should live?
- What did Jesus tell us to do so the Gospel would spread?
- How can following Jesus' words in the Beatitudes help us to preach the Gospel?



#### AT BEDTIME:

Quiz your child on this week's memory verse:

*"We know that "We all have knowledge." But knowledge makes people proud, while love builds them up. Those who think they know something still don't know as they should. But whoever loves God is known by God." 1 Corinthians 8:1b-3 (NIRV)*



#### PARENT TIME:

What you need to know:

Jesus wants us to share the Gospel in words and in actions. What is something your family can do this week to share God's love with people?

## CRAFT ACTIVITY

Each week the kids will make a trivia card to take home. After 12 weeks, kids who come every week will have a 12 card trivia game to play at home. Questions to put on this week's card can include:

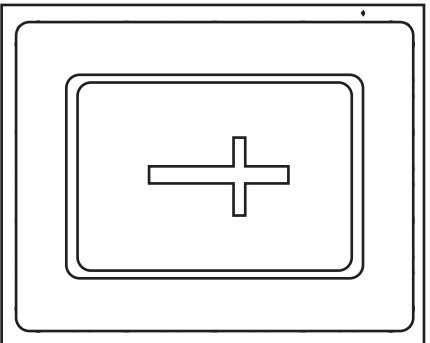
The Sermon on the Mount begins with what famous set of quotes from Jesus?

What did Jesus say about the peacemakers?

What did Jesus say about the meek?

Why are we blessed when we are persecuted in Jesus' name?

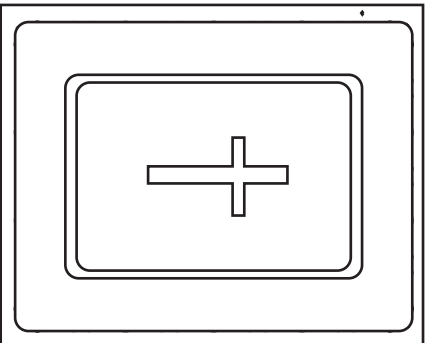
What did Jesus tell us to do in the Great Commission?



"We know that "We all have knowledge." But knowledge makes people proud, while love builds them up. Those who think they know something still don't know as they should. But whoever loves

God is known by God."

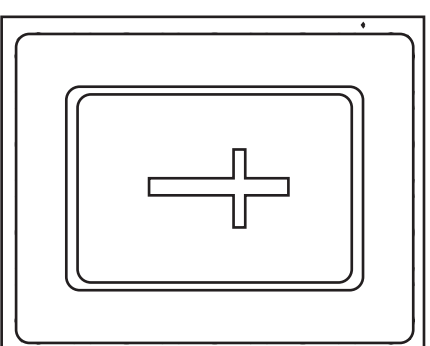
-1 Corinthians 8:1b-3 (NIRV)



"We know that "We all have knowledge." But knowledge makes people proud, while love builds them up. Those who think they know something still don't know as they should. But whoever loves

God is known by God."

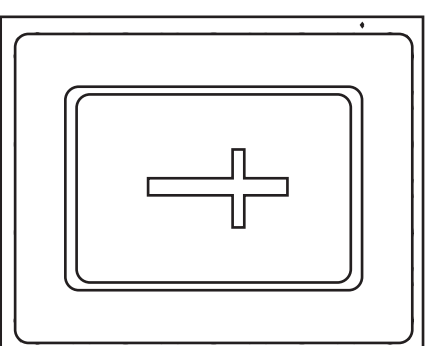
-1 Corinthians 8:1b-3 (NIRV)



"We know that "We all have knowledge." But knowledge makes people proud, while love builds them up. Those who think they know something still don't know as they should. But whoever loves

God is known by God."

-1 Corinthians 8:1b-3 (NIRV)



"We know that "We all have knowledge." But knowledge makes people proud, while love builds them up. Those who think they know something still don't know as they should. But whoever loves

God is known by God."

-1 Corinthians 8:1b-3 (NIRV)