

LESSON SNAPSHOT

BOTTOM LINE:

We need to listen to God's Word.

OBJECTIVE:

Kids will know who the prophets were and what they did.

KEY PASSAGE:

Isaiah 53:4-12

MEMORY VERSE:

"We know that "We all have knowledge." But knowledge makes people proud, while love builds them up. Those who think they know something still don't know as they should. But whoever loves God is known by God." 1 Corinthians 8:1b-3 (NIRV)

SUMMARY:

When God had an important message to deliver to his people, he chose men called prophets to deliver those messages. Kids will learn who the Major and Minor prophets are, how they are connected to Jesus, and why they are an important part of the Bible.

SIMPLE PRAYER:

Dear God,

Thank you for giving us your Word.

*In Jesus' name,
Amen*

MEMORY VERSE

"We know that "We all possess knowledge." But knowledge puffs up while love builds up. Those who think they know something do not yet know as they ought to know. But whoever loves God is known by God." 1 Corinthians 8:1b-3 (NIV)

"We know that "We all have knowledge." But knowledge makes people proud, while love builds them up. Those who think they know something still don't know as they should. But whoever loves God is known by God." 1 Corinthians 8:1b-3 (NIRV)

LARGE GROUP:

Divide the room into girls and boys. Have the girls and boys read the verse aloud together, alternating every other word, so girls say the first word, boys say the second word, girls third, etc.

SMALL GROUP:

Have the kids each recite or read the verse in the voice of their favorite cartoon character.

SKIT

THE ULTIMATE TRIVIA SHOW: ROUND FIVE

ITEMS NEEDED:

Three podiums for the host and contestants on a game show

CHARACTER BREAKDOWN:

2M, 1F

CHARACTERS:

Bob Sunshine - Game Show Host

Phil and Millie - Contestants

Game Show music plays as Bob runs on stage.

BOB: Hey there, everybody, and welcome to the Ultimate Trivia Show. If you're looking for a good contest, I would suggest you turn to Channel 34, where the Great Lakes Bowling Tournament is now airing live. But if you'd rather watch me slowly lose my mind, please, keep watching.

PHIL: Are we gonna play some more of this game or what?

BOB: It's in my contract, I have to stay and play if I want to get paid. So let's get into round five, Who am I?

MILLIE: You're the host of the Ultimate Trivia Show.

BOB: Thank you. I wish I could give you points for that.

PHIL: This is the Ultimate Trivia Show? I thought it was Who Wants to Be a Millionaire!

BOB: The category this time is, Major and Minor Prophets. Question one is for Millie.

MILLIE: All right, bring it on!

BOB: I am one of the Major Prophets. I wrote two books in the Old Testament. I am called the weeping prophet. Who am I?

SKIT

MILLIE: King David!

BOB: King David. Really? Was King David a Prophet?

MILLIE: I'm going to say... Yes?

BOB: No! The answer was Jeremiah. Jeremiah, the weeping prophet. We have a lot in common the two of us. Phil, this one's for you.

PHIL: Okay, boss, shoot.

BOB: I spent the night in a lion's den. My friends were thrown in a fiery furnace. I had many visions about the future. Who am I?

PHIL: Lion's Den, huh? Was it that guy who does that show in Las Vegas?

BOB: No!

PHIL: Are you sure?

BOB: His name was Daniel, and I'm sure he never went to Las Vegas. Millie, let's continue this catastrophe with you. I'm a Minor Prophet. I was tossed off a boat, and I spent three nights in the belly of a whale. Please tell me you know who I am.

MILLIE: Popeye?

BOB: Why am I even surprised? The answer was Jonah. Another tough break for Millie. Phil, you're our last hope for this round. I feel like I shouldn't bother, but let's get to it anyway. I'm a Minor Prophet. I wrote that Jesus would be born in Bethlehem. Who am I?

PHIL: I don't know, but if he was any good, he would have made it out of the minor leagues and played in the majors with Daniel and Jeremiah.

BOB: You're not even trying any more.

PHIL: Doesn't sound like he tried either if he was a Minor Prophet.

BOB: His name was Micah. My name is Bob, and I'm relieved we've come to the end of another round with no score.

PHIL: Wasn't Micah one of the Dodgers?

SKIT

BOB: We'll be back after this break.

PHIL: No, he was on the Padres!

OBJECT LESSON OR KIDS SERMON

ITEMS NEEDED:

Binoculars

Binoculars are a simple but powerful invention. They enable us to see things far away as if they were up close. Binoculars can give us a closer look at our favorite artist in concert or our favorite team on the playing field. More importantly, they can help us see things that are far away when we travel. Binoculars give us a close up look at where we are going so we can be prepared when we get there.

That's why God sent prophets. Prophets carried messages to God's people. They warned them of coming judgment. They prepared God's people for things about to happen. And they told the people all about the Messiah who was coming to save them.

The prophets are one the biggest reasons we can trust the Bible is true. The prophets made many predictions about the Messiah. The prophet Micah even wrote down where he would be born.

Wise men listen to the Word of God. Only people who are unwise ignore what God says. We would all be wise to listen and obey the Bible.

LARGE GROUP GAME

BIBLE TRIVIA ROUND FIVE

ITEMS NEEDED:

Buzzers (if available)

INSTRUCTIONS:

Every week, the kids will be playing a quiz game, answering questions about the Bible, specifically answering questions about the lesson from the week before. Choose two players, and give them buzzers (if available) or have them raise their hands to answer. The kid who answers the most questions correctly wins.

Here are the questions for week five:

Why did God choose a king for Israel?

THE PEOPLE ASKED FOR ONE

Who anointed the first two kings of Israel?

SAMUEL

Who was the first king of Israel?

SAUL

Why did God replace King Saul?

HE REBELLED AGAINST GOD

Why did God choose David to be the next king?

HE HAD A HEART FOR GOD

Who was King David's son?

SOLOMON

How did Solomon become so wise?

HE ASKED GOD FOR WISDOM

LARGE GROUP LESSON

BOTTOM LINE:

We need to listen to God's Word.

OBJECTIVE:

Kids will know who the prophets were and what they did.

KEY PASSAGE:

Isaiah 53:4-12

INTRO:

Trivia is all about facts. Trivia is about things that have happened. It's about people, places, things, and events that are unchanging. If someone asks you, who sang the song, "*Let It Go*," the answer will always be Queen Elsa/Idina Menzel. If someone asks who the first president of the United States was, the answer will always be George Washington. Facts are usually about the past. They are set in stone, unchanging. Always the same.

Trivia is almost never about the future because no one really knows what the future is going to be like. Scientists and science fiction writers love to speculate about the future, but no one really knows. A hundred years ago, when people thought about the 21st century, they envisioned flying cars and a colony on the moon. I think we can all agree they were way off on both counts!

Today, however, we're going to learn some trivia about a group of men who did see the future. These were special messengers of God, men known as prophets. A prophet is a man or woman who receives messages from the Lord, just like Deborah in the book of Judges.

Many times the prophets were sent to warn the people of danger. When the children of Israel rebelled against God, the prophets would urge them to repent and come back to God. If they did not, God would send judgment on them. When the people were wise, they listened. Many times they ignored and even killed the prophets. And that's when the prophecies about judgment and punishment would come true.

The prophets also spoke about one more thing to come: the Messiah. God had promised to send a Savior to save his people. Listen to the words of one of the Major Prophets, Isaiah, and see if you can tell who he's talking about.

LARGE GROUP LESSON

READ ISAIAH 53:4-12

MAIN POINT:

Isaiah was one of many prophets who wrote about Jesus. Malachi predicted that a messenger, John the Baptist, would come before him. Micah wrote that Jesus would be born in Bethlehem. Hosea predicted that Jesus would come out of Egypt, as he did when his family had to flee there to escape King Herod. Jeremiah wrote that Herod would try to kill the baby boys in Bethlehem. Zechariah wrote that he would ride into town on a donkey, and that he would be betrayed for thirty pieces of silver.

The prophets show us that the Word of God is true. Their words about Israel's punishment and restoration came true in the Old Testament, and their words about Jesus came true in the New Testament. They show us we can trust the Bible. They show us that we need to listen because their God is the one true God!

DRIVE IT HOME:

The books of prophecy are divided into two parts: the Major and Minor Prophets. There are five books in the Major Prophets written by four men. These books are longer than the writings of the Minor Prophets.

Isaiah, Jeremiah, and Ezekiel all spoke to the children of Israel before they were conquered by Babylon. They warned the people that God would punish their sins, and they told them they were headed into exile. They also told the people that God would forgive them and bring them home, just as he did.

Daniel lived during the time of that exile. He became an advisor to the kings of Babylon and Persia. Daniel had some amazing adventures on his own, and he also wrote about the coming of Jesus.

There are twelve books in the Minor Prophets. These books are shorter than the Major Prophets, but they all carried messages from the Lord. Some spoke about the exile to Babylon. Some spoke about Jesus. Some even carried messages to other people outside Israel. The most famous of these was Jonah, who tried to run away from God and spent three days in the belly of a great fish.

The sixteen men who wrote these books were messengers from God. The words they wrote were, as we learned in week one, "God breathed." When we read how God's prophecies came true, we are reminded that God is all-powerful and in control. We also see how much he loves us, and how great his forgiveness can be.

The wise men listened to the words of prophecy. That's how they found Jesus. When we listen to the Word of God, we will draw closer to him as well.

LARGE GROUP LESSON

CLOSE WITH A SIMPLE PRAYER:

Dear God,

Thank you for giving us your Word.

In Jesus' name,

Amen

SMALL GROUP DISCUSSION (K-2ND)

ICEBREAKER:

What do you want to do when you grow up?

MEMORY VERSE ACTIVITY:

1 Corinthians 8:1b-3

Have the kids sing the memory verse in the style of their favorite pop/rock singer.

SMALL GROUP GAME/ACTIVITY:

Play a game of musical chairs, and see who can predict when the music will end and take the last seat.

DISCUSSION QUESTIONS:

Read Isaiah 53:4-12

Was Isaiah a Major or Minor Prophet?

How many Major Prophets were there?

How many Minor Prophets were there?

What did Isaiah tell us about Jesus in this scripture?

Why is it important to read and know the word of God?

SIMPLE PRAYER:

Dear God,

Help us to become better students of the Bible.

In Jesus' name,

Amen

SMALL GROUP DISCUSSION (3-5TH)

ICEBREAKER:

What do you want to do when you grow up?

MEMORY VERSE ACTIVITY:

1 Corinthians 8:1b-3

Have the kids sing the memory verse in the style of their favorite pop/rock singer.

SMALL GROUP GAME/ACTIVITY:

Play a game of musical chairs, and see who can predict when the music will end and take the last seat.

DISCUSSION QUESTIONS:

Read Isaiah 53:4-12

How many Major Prophets were there?

How many Minor Prophets were there?

What did Isaiah tell us about Jesus in this scripture?

What other kinds of messages did the prophets bring to God's people?

Why is it important to read and know the word of God?

SIMPLE PRAYER:

Dear God,

Help us to become better students of the Bible.

In Jesus' name,

Amen

POWERPOINT REVIEW GAME

JEOPARDY

Answer these in the form of a question!

This is the first of the Major Prophets, who wrote about Jesus.

WHO WAS ISAIAH?

This prophet wrote two books in the Major Prophets, including one that bears his name.

WHO WAS JEREMIAH?

This is the prophet who spent three nights in the belly of a fish.

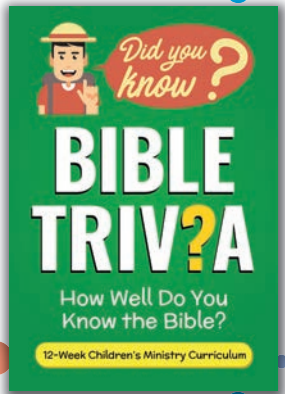
WHO WAS JONAH?

This is how many Minor Prophets there are in the Bible.

WHAT IS TWELVE?

This prophet spent the night in a lion's den.

WHO IS DANIEL?



MAKE IT STICK

5 Simple Ways You Can Make This Lesson Stick With your Kids

Bible Trivia Lesson 5

THIS WEEK'S LESSON: PROPHETIC KNOWLEDGE



IN THE CAR:

Ask your child what they learned about this week on the drive home:

When God had an important message to deliver to his people, he chose men called prophets to deliver those messages. Kids will learn who the Major and Minor prophets are, how they are connected to Jesus, and why they are an important part of the Bible.

Isaiah 53:4-12



HANGING OUT:

Make this week's lesson real:

Open the Bible, or do a Google search this week to see just how many prophecies of the Old Testament came true in Jesus.



AT DINNER:

Here are some great discussion starters:

- What did the prophets do?
- What kind of messages did God give the prophets?
- What is one thing the prophets told us about Jesus?



AT BEDTIME:

Quiz your child on this week's memory verse:

"We know that 'We all have knowledge.' But knowledge makes people proud, while love builds them up. Those who think they know something still don't know as they should. But whoever loves God is known by God." 1 Corinthians 8:1b-3 (NIRV)



PARENT TIME:

What you need to know:

The prophets are one of the proofs that the Bible is true. The words they wrote came from God, and Jesus fulfilled all of them. Read some of the prophecy books with the kids, or pick one to read on your own this week.

CRAFT ACTIVITY

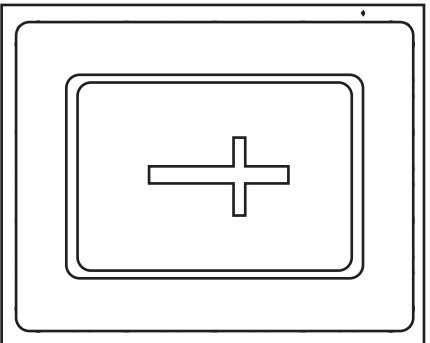
Each week the kids will make a trivia card to take home. After 12 weeks, kids who come every week will have a 12 card trivia game to play at home. Questions to put on this week's card can include:

How many books are in the Major Prophets?

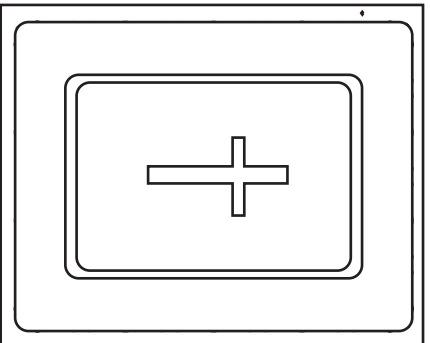
How many Minor Prophets are in the Bible?

Who gave the prophets the ability to warn the people of the future?

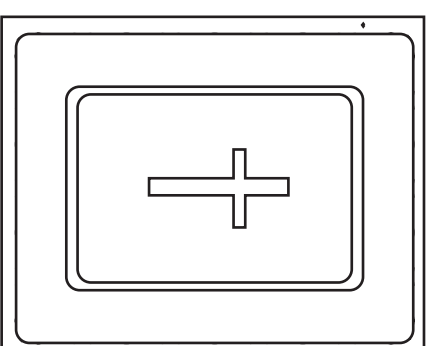
What famous person did the prophets talk about, even though he wasn't born yet?



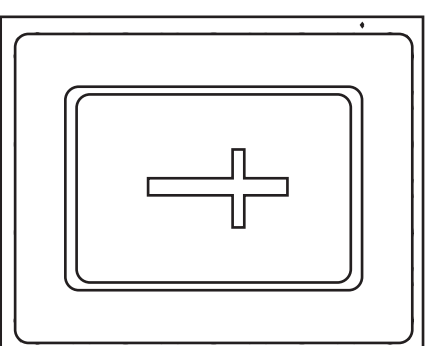
"We know that "We all have knowledge." But knowledge makes people proud, while love builds them up. Those who think they know something still don't know as they should. But whoever loves God is known by God."
-1 Corinthians 8:1b-3 (NIRV)



"We know that "We all have knowledge." But knowledge makes people proud, while love builds them up. Those who think they know something still don't know as they should. But whoever loves God is known by God."
-1 Corinthians 8:1b-3 (NIRV)



"We know that "We all have knowledge." But knowledge makes people proud, while love builds them up. Those who think they know something still don't know as they should. But whoever loves God is known by God."
-1 Corinthians 8:1b-3 (NIRV)



"We know that "We all have knowledge." But knowledge makes people proud, while love builds them up. Those who think they know something still don't know as they should. But whoever loves God is known by God."
-1 Corinthians 8:1b-3 (NIRV)