

LESSON SNAPSHOT

BOTTOM LINE:

Good leaders have a heart for Jesus.

OBJECTIVE:

Kids will know who Saul, David, and Solomon are.

KEY PASSAGE:

1 Samuel 16:1-13, Samuel Anoints David

MEMORY VERSE:

"We know that "We all have knowledge." But knowledge makes people proud, while love builds them up. Those who think they know something still don't know as they should. But whoever loves God is known by God." 1 Corinthians 8:1b-3 (NIRV)

SUMMARY:

Saul, David and Solomon all lead Israel after the Judges. Kids will learn some trivia about each king and which king was called a man after God's own heart.

SIMPLE PRAYER:

Dear God,

Give each of us a heart like David.

*In Jesus' name,
Amen*

MEMORY VERSE

“We know that “We all possess knowledge.” But knowledge puffs up while love builds up. Those who think they know something do not yet know as they ought to know. But whoever loves God is known by God.” 1 Corinthians 8:1b-3 (NIV)

“We know that “We all have knowledge.” But knowledge makes people proud, while love builds them up. Those who think they know something still don’t know as they should. But whoever loves God is known by God.” 1 Corinthians 8:1b-3 (NIRV)

LARGE GROUP:

Have all the fifth/sixth graders (whatever the oldest age in the room may be) read the verse first. Then add the next grade down and repeat. Add the next grade down, and repeat. Keep repeating until everyone is reading together.

SMALL GROUP:

Have the kids collaborate on a musical version of the Bible verse. Can it be sung to a popular tune, or can you invent your own?

SKIT

THE ULTIMATE TRIVIA SHOW: ROUND FOUR

ITEMS NEEDED:

Three podiums for the host and contestants on a game show

CHARACTER BREAKDOWN:

2M, 1F

CHARACTERS:

Bob Sunshine - Game Show Host

Phil and Millie - Contestants

Game Show music plays as Bob runs on stage.

BOB: Hey there, everybody, and welcome to the Ultimate Trivia Show. We are a quarter of the way through our current challenge and Phil Brooks, our telemarketer from Cleveland, is leading the way with zero points.

PHIL: Hey, at least I don't have negative points. Right?

BOB: And knotted up right there with him at the bottom of the heap, his opponent, Millie Franklin-Johnson, with zero.

MILLIE: I've been playing nice up til now, boys. Time to shine!

BOB: Time for round four, where we play fill in the blank. Our category: famous kings. Ready?

PHIL: Ready to go, Bob!

BOB: Saul was the first king of blank.

Phil buzzes in.

BOB: Phil!

PHIL: Rock n roll!

SKIT

BOB: That is incorrect.

PHIL: Are you sure?

BOB: Phil, Elvis was the king of rock n roll. Don't you know who Saul was?

MILLIE: Was he king of the wild frontier?

BOB: No! He was king of Israel!

MILLIE: Really? Learn something new every day!

BOB: I doubt that very much for either of you. But moving on. When King Saul displeased the Lord, the Lord told Samuel to anoint blank as the next king.

Millie buzzes in.

MILLIE: Simba!

BOB: That's the Lion King! I'm looking for the king of Israel.

PHIL: King Saul!

BOB: No!

PHIL: But you just said—

BOB: I said the king after Saul! It was King David! David was king after Saul!

PHIL: You mean there were two?

BOB: There were more than two, Phil! There were a whole bunch of kings. Kings of Israel and later Kings of Judah.

MILLIE: Was one of them a Burger King?

BOB: No!

MILLIE: Because I could really go for a Whopper.

SKIT

BOB: Let's just get this round over with because clearly no one is about to score any points. Does anyone know who the son of King David was? Anyone? He wrote most of the book of Proverbs? He has a book named after him in the Bible. His name was King....?

PHIL: Oh I know! Is it King Blank?

BOB: And with that, the round is over. It was King Solomon, King Blank is incorrect, and we've set a new record. Four rounds, no points. I'm going to go take some Tylenol while you watch this commercial for Advil. See you soon, folks.

OBJECT LESSON OR KIDS SERMON

ITEMS NEEDED:

A Burger King Crown

How many of you always grab one of these crowns when you go into Burger King? It's kind of fitting they let you wear a crown in Burger King, where their slogan used to be, "Have it your way." Burger King wanted everyone to know they could order burgers any way they chose. No onions. No lettuce, tomato or pickles. With bacon or without. Ketchup only. You're the king, or queen, and you can have it your way.

Some kings think only of themselves. They don't think about what their people need, and they don't ask God what he wants. Saul strayed away from following God, and God replaced him with a shepherd boy named David, who was the kind of leader God wants us all to be.

Good leaders have a pure heart. They love the Lord like David. They ask God to give them wisdom, like Solomon. Good leaders want to serve their people and serve God. Let's ask God to make us all leaders with good hearts that want to do what's right.

LARGE GROUP GAME

BIBLE TRIVIA ROUND FOUR

ITEMS NEEDED:

Buzzers (if available)

INSTRUCTIONS:

Every week, the kids will be playing a quiz game, answering questions about the Bible, specifically answering questions about the lesson from the week before. Choose two players, and give them buzzers (if available) or have them raise their hands to answer. The kid who answers the most questions correctly wins.

Here are the questions for week four:

Deborah, Gideon, and Solomon were heroes of the Bible known as what?

JUDGES

Whom did God tell Deborah to choose to lead Israel into battle?

BARAK

Barak would only go into battle if this person went with him.

DEBORAH

Which judge tested God several times before he followed him?

GIDEON

What did Gideon have to overcome before leading Israel to victory?

FEAR

Who was the super-strong judge who got power from his long hair?

SAMSON

Samson was humbled, but God gave him one last victory over what enemy?

THE PHILISTINES

LARGE GROUP LESSON

BOTTOM LINE:

Good leaders have a heart for Jesus.

OBJECTIVE:

Kids will know who Saul, David, and Solomon are.

KEY PASSAGE:

1 Samuel 16:1-13 Samuel Anoints David

INTRO:

Today's trivia topic is one we don't have a lot of knowledge about in modern times. Sure, there are still kings in the world today, but most of us probably know more about the Burger King, or the King of Rock and Roll, than any real king!

Kings do not become rulers because they run a good campaign based on traditional family values. Kings become kings because their father was a king. Kings don't have to meet certain criteria to register and run for office because there's no running for office to do. When their father dies, they become king, whether they're qualified or not, whether they want to be king or not.

The problem with kings is that the people live at the whim of a rich, powerful man who doesn't have to answer to anyone. If someone argues with the king, they may just end up in jail! The king's word is law, and if you have a problem with that, the smart thing to do is just keep it to yourself.

In the time after the judges, the people of Israel wanted a king. They wanted to have a ruler like everyone else around them. God warned them through the prophet Samuel that a king could be corrupted and harsh, but the people insisted. So God chose a man named Saul to be king.

Saul started out with good intentions, but he became everything God warned the people about. Saul was concerned only about Saul, not his people, and not God. It made the Lord very sad that the king he had chosen had turned away from him. So God sent Samuel to choose a new king.

LARGE GROUP LESSON

READ 1 SAMUEL 16:1-13

MAIN POINT:

King Saul was tall, strong, and handsome. He looked the part of a king, and that was one of the many things people loved about him. But on the inside, Saul had become corrupt. God didn't care that the king was handsome on the outside like David's brothers. God was concerned with what was on the inside.

David was just a boy when Samuel anointed him with oil, telling him that he would be the next king of Israel. Unlike Saul, David was a man after God's own heart. He spent his days in the field watching sheep and writing psalms of praise. David would not be concerned only about himself, but he would seek God with all his heart.

David's son Solomon would succeed him. Solomon was known as the wisest king ever to rule because Solomon asked God to give him great wisdom. People came from all over the world to listen to Solomon teach! Yet not even Solomon with all his wisdom had a heart for the Lord like David. God wants all of us to have a heart that loves God, that wants to do God's will, and will always put God first!

DRIVE IT HOME:

One day in the not so distant future, one of you is going to be elected class president. One of you is going to become captain of your sports team. Someone here may become a drum major of a marching band, captain of a cheerleading squad, or student director in a play. Many of you will be given the opportunity to be leaders at school, in the community, and even here at church. The question we want you to think today is this: what kind of leader do you want to be?

Saul had the look of a great leader. He was big and strong and handsome, but he was also corrupt. Saul cared about himself more than he did the kingdom, and when he needed advice, he sought answers from the wrong people. If Saul had only turned to God, he might have been a great king. His son Jonathan might have been king after him. But Saul's disobedience was his downfall.

David wasn't a perfect man or a perfect king by any means, but it was his heart that made him so great. He respected the Lord with all his heart. He refused to take short cuts when he had the chance to steal the throne from Saul. And when David made a mistake, he was honest and humble enough to confess his sin and ask forgiveness.

Good leaders seek God. They want the best for the people they lead. They admit when they are wrong, and they always strive to do what is right. When its your time to lead, even before that time comes, ask God to give you wisdom like Solomon and a heart like David. God will make you a great leader, and he will use you to lead others to Jesus.

LARGE GROUP LESSON

CLOSE WITH A SIMPLE PRAYER:

Dear God,

Give each of us a heart like David.

In Jesus' name,

Amen

SMALL GROUP DISCUSSION (K-2ND)

ICEBREAKER:

If you were king for a day, what would you do?

MEMORY VERSE ACTIVITY:

1 Corinthians 8:1b-3

Have the kids sing the memory verse in the style of their favorite pop/rock singer.

SMALL GROUP GAME/ACTIVITY:

Pass a ball around a circle. Each time someone touches the ball, they have to name a king. It can be someone with King in their name, a fictitious king, a real king, or a “king” like Elvis, the king of rock n roll. How many kings can you as a group come up with in a minute?

DISCUSSION QUESTIONS:

Read 1 Samuel 16:1-13

Who was the first king of Israel?

Why did God decide to replace Saul?

What did God look for in a new king?

Whom did God choose as the next king after Saul?

Who was king after David?

SIMPLE PRAYER:

Dear God,

Help us to be humble and wise so that we can honor you.

In Jesus' name,

Amen

SMALL GROUP DISCUSSION (3-5TH)

ICEBREAKER:

If you were king for a day, what would you do?

MEMORY VERSE ACTIVITY:

1 Corinthians 8:1b-3

Have the kids sing the memory verse in the style of their favorite pop/rock singer.

SMALL GROUP GAME/ACTIVITY:

Pass a ball around a circle. Each time someone touches the ball, they have to name a king. It can be someone with King in their name, a fictitious king, a real king, or a “king” like Elvis, the king of rock n roll. How many kings can you as a group come up with in a minute?

DISCUSSION QUESTIONS:

Read 1 Samuel 16:1-13

Why did God decide to replace King Saul?

What did God look for in a new king?

How was David a man after God’s own heart?

How did Solomon become so wise?

What qualities do you think are important in a good leader?

SIMPLE PRAYER:

Dear God,

Help us to be humble and wise so that we can honor you.

In Jesus’ name,

Amen

POWERPOINT REVIEW GAME

JEOPARDY

Answer these in the form of a question!

This was the first king of Israel.

WHO WAS SAUL?

This prophet anointed the first and second kings of Israel. Two books of the Bible are named after him.

WHO WAS SAMUEL?

This is what God was looking at when he chose Saul's successor, not his outside looks.

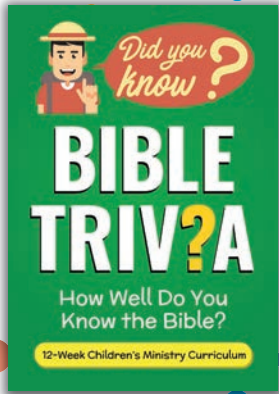
WHAT IS THE HEART?

This shepherd was chosen to become Israel's second king.

WHO WAS DAVID?

This son of David was not only king but the wisest man who ever lived.

WHO IS SOLOMON?



MAKE IT STICK

5 Simple Ways You Can Make This Lesson Stick With your Kids

Bible Trivia Lesson 4

THIS WEEK'S LESSON: FIT FOR A KING



IN THE CAR:

Ask your child what they learned about this week on the drive home:

Today we learned about the first three kings of Israel. Saul looked like a king but turned away from God. David was just a boy when he was anointed, and he was called a man after God's own heart. David's son Solomon was the wisest man who ever lived. 1 Samuel 16:1-13, Samuel Anoints David



HANGING OUT:

Make this week's lesson real:

Share a story about some good leaders and bad leaders you have followed in your life. What made the good ones good, and how were the bad ones bad?



AT DINNER:

Here are some great discussion starters:

- Who were the first three kings of Israel?
- Why did God decide to replace King Saul?
- Why was David a man after God's own heart?



AT BEDTIME:

Quiz your child on this week's memory verse:

"We know that 'We all have knowledge.' But knowledge makes people proud, while love builds them up. Those who think they know something still don't know as they should. But whoever loves God is known by God." 1 Corinthians 8:1b-3 (NIRV)



PARENT TIME:

What you need to know:

God wants us all to have a heart that longs for him. A heart that seeks God also makes a great leader. Pray that our kids will seek God with all their hearts so they can lead others to Jesus.

CRAFT ACTIVITY

Each week the kids will make a trivia card to take home. After 12 weeks, kids who come every week will have a 12 card trivia game to play at home. Questions to put on this week's card can include:

Who anointed the first two kings of Israel?

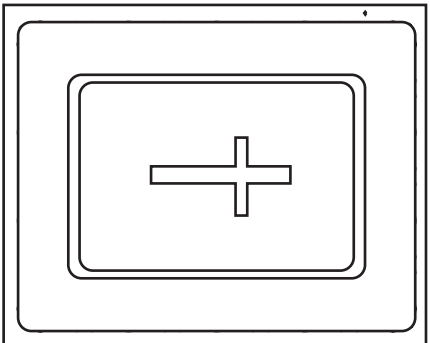
Who was the first king of Israel?

Why did God replace King Saul?

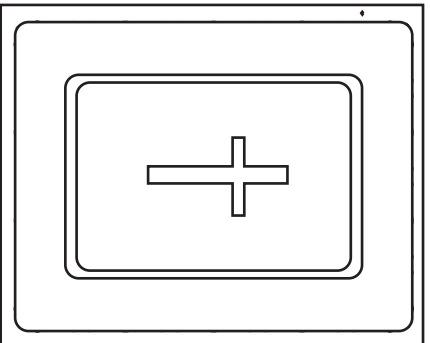
Why did God choose David to be the next king?

Who was King David's son?

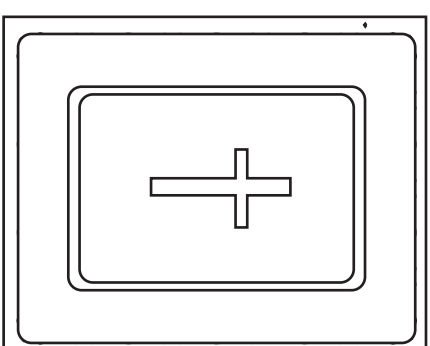
How did Solomon become so wise?



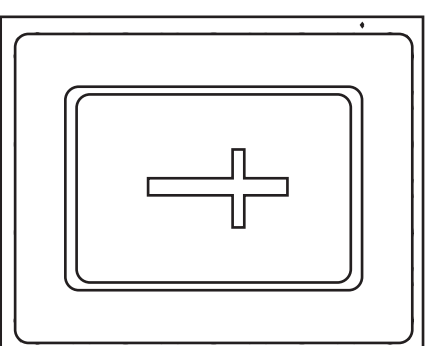
"We know that "We all have knowledge." But knowledge makes people proud, while love builds them up. Those who think they know something still don't know as they should. But whoever loves God is known by God."
-1 Corinthians 8:1b-3 (NIRV)



"We know that "We all have knowledge." But knowledge makes people proud, while love builds them up. Those who think they know something still don't know as they should. But whoever loves God is known by God."
-1 Corinthians 8:1b-3 (NIRV)



"We know that "We all have knowledge." But knowledge makes people proud, while love builds them up. Those who think they know something still don't know as they should. But whoever loves God is known by God."
-1 Corinthians 8:1b-3 (NIRV)



"We know that "We all have knowledge." But knowledge makes people proud, while love builds them up. Those who think they know something still don't know as they should. But whoever loves God is known by God."
-1 Corinthians 8:1b-3 (NIRV)