

LESSON SNAPSHOT

BOTTOM LINE:

God wants us to be humble and trust him.

OBJECTIVE:

Kids will know who Deborah, Gideon, and Samson are.

KEY PASSAGE:

Judges 4:4-9, 6:14-16, 16:28-30

MEMORY VERSE:

"We know that "We all have knowledge." But knowledge makes people proud, while love builds them up. Those who think they know something still don't know as they should. But whoever loves God is known by God." 1 Corinthians 8:1b-3 (NIRV)

SUMMARY:

Kids will learn about the Judges in Israel, specifically Deborah, Gideon and Samson. Kids will learn how Deborah trusted God completely, Gideon was afraid but learned to trust God, and Samson was prideful and had to be humbled before he completely submitted to God.

SIMPLE PRAYER:

Dear God,

Thank you for the example of faith the judges set for us.

In Jesus' name,

Amen

MEMORY VERSE

“We know that “We all possess knowledge.” But knowledge puffs up while love builds up. Those who think they know something do not yet know as they ought to know. But whoever loves God is known by God.” 1 Corinthians 8:1b-3 (NIV)

“We know that “We all have knowledge.” But knowledge makes people proud, while love builds them up. Those who think they know something still don’t know as they should. But whoever loves God is known by God.” 1 Corinthians 8:1b-3 (NIRV)

LARGE GROUP:

Have the kids read the verse together. Read it normally, then in a whisper, then really, really loud!

SMALL GROUP:

Have the kids sing the memory verse in the style of their favorite pop/rock singer.

SKIT

THE ULTIMATE TRIVIA SHOW: ROUND THREE

ITEMS NEEDED:

Three podiums for the host and contestants on a game show

CHARACTER BREAKDOWN:

2M, 1F

CHARACTERS:

Bob Sunshine - Game Show Host

Phil and Millie - Contestants

Game Show music plays as Bob runs on stage.

BOB: Hey there, everybody, and welcome to the Ultimate Trivia Show. If you're just joining us, we're off to a record start. Phil Brooks, our telemarketer from Cleveland currently has zero points.

PHIL: Are you sure I didn't get a few points in that last round? I was close on a few answers.

BOB: No, Phil, you did not. And neither did your opponent, Millie Franklin-Johnson, who also has zero.

MILLIE: I'm warming up, Bob. This is where I start to pull away.

BOB: Better luck to both of you in Round Three in which we play Jeopardy! Our category this week, Judges of the Bible. The story of the judges is told in which book of the Bible?

Phil rings in.

BOB: Phil?

PHIL: What is Genesis?

SKIT

BOB: No. Millie, have a guess in which book you can find the story of the JUDGES?

MILLIE: What is Song of Solomon?

BOB: The answer is Judges. The book of Judges is where we find the story of the judges. Okay, players, next question. This is the only female judge in the Bible.

Millie rings in.

MILLIE: Who is Judge Judy?

BOB: No! Phil, please help me out here. Surely you know this one.

PHIL: Female judge... female judge... Who is Judge Judy?

BOB: No! Her name was Deborah. And my hope for scoring points continues to fade. Next answer. He led three hundred men into battle not with swords but horns and torches.

Phil rings in.

BOB: Phil?

PHIL: Who is a dead man?

BOB: Millie, I'm not even going to bother. His name was Gideon, and while he is now dead, he did not die because he led his men into battle without their swords.

PHIL: You're kidding, right?

BOB: Why would I kid about that? Okay, let's go on to our final question for the round. Samson was a judge with mighty strength that went away when he lost this.

Millie rings in.

BOB: Millie?

MILLIE: His Green Lantern ring?

BOB: No!

MILLIE: What is his Green Lantern ring?

SKIT

BOB: No, he did not lose his power because he lost his Green Lantern ring!

PHIL: Bob, I don't mean to tell you how to do your job, but if the guy lost his Green Lantern ring, he probably lost his power.

BOB: He lost it because he got a hair cut! It was his hair! Not the Green Lantern ring that he never had to begin with!

PHIL: You could have told us he didn't have the ring to begin with.

BOB: That's all the time we have for round three. We'll be back after this commercial message.

OBJECT LESSON OR KIDS SERMON

ITEMS NEEDED:

A quarter

Quarters are useful for more than buying gumballs. Quarters can make decisions for you. If you are trying to decide between two movies to watch, flip a coin. If you're trying to decide between an apple or banana for a snack, flip a coin. A flip of a quarter can make a simple decision and let you go on with your day.

A coin toss isn't always the best way to make decisions. What would you think if your basketball coach chose what play to run by flipping a coin? What would you think if your parents chose a house simply by flipping a coin? That's not wise decision making, and it's not good leadership.

The Judges of the Bible are remembered because they were wise leaders who trusted the Lord. Deborah trusted God completely. Gideon overcame his fears when he saw God could be trusted and God gave him victory. And when Samson humbled himself, he became a great hero once more.

God wants us to trust him like Deborah and Gideon. He wants us to humble ourselves like Samson and ask for his guidance. Don't leave big choices to chance. Be wise, and trust in the Lord.

LARGE GROUP GAME

BIBLE TRIVIA ROUND THREE

ITEMS NEEDED:

Buzzers (if available)

INSTRUCTIONS:

Every week, the kids will be playing a quiz game, answering questions about the Bible, specifically answering questions about the lesson from the week before. Choose two players, and give them buzzers (if available) or have them raise their hands to answer. The kid who answers the most questions correctly wins.

Here are the questions for week three:

What is the first book in the Bible?

GENESIS

Who was the first man?

ADAM

Who created the first man and woman?

GOD

Where did the first man and woman live?

THE GARDEN OF EDEN

What's the first thing God created?

THE HEAVENS AND THE EARTH

Who was the first woman?

EVE

What was the first sin?

ADAM AND EVE ATE THE FORBIDDEN FRUIT

LARGE GROUP LESSON

BOTTOM LINE:

God wants us to be humble and trust him.

OBJECTIVE:

Kids will know who Deborah, Gideon, and Samson are.

KEY PASSAGE:

Judges 4:4-9, 6:14-16, 16:28-30

INTRO:

I'd like to start this morning with a little super hero trivia. Are you ready? Here's your first question.

Which super hero was created first: Superman or Batman? (Superman)

Which group of heroes was formed first: the Fantastic Four or the Avengers? (Fantastic Four)

Who came first: Catwoman or Wonder Woman? (Catwoman)

I wanted to warm you up with some super hero trivia because today, we're going to learn about three super heroes of the Bible. These people weren't written up in comic books, of course, but their stories appear in a book called Judges. These three heroes, and several more, are referred to as judges because they led the nation of Israel in a time before they had a king. These judges were chosen by God in times of crisis to save Israel from their enemies. Long before Batman, Superman, and Wonder Woman, the children of Israel loved to hear the tales of Deborah, Gideon, and the mighty Samson.

READ JUDGES 4:4-9, 6:14-16, 16:28-30

MAIN POINT:

Our first hero is a woman named Deborah, a prophetess whom God chose to lead Israel against the wicked King Jabin. God spoke to Deborah and told her to choose a man named Barak to lead Israel into battle. Barak was a brave warrior, but he was afraid to go into battle by himself. Deborah was fearless because she trusted the Lord, and she led Barak and his men into battle.

LARGE GROUP LESSON

Our second hero is a man named Gideon. Gideon was no warrior, and he wanted no part of fighting God's enemies, but God saw something in Gideon. He called Gideon and told him to lead Israel into battle. Gideon was afraid, and he tested God a few times. Every time Gideon gave God a test, God answered him. Gideon overcame his fears and just like Deborah, he saved Israel from its enemies.

Finally, we come to Samson. Of all the Judges, Samson was the one most like a super hero. He had super strength that came from the long hair on his head, and so long as he had that long hair, he was unbeatable. But pride caused Samson to let his guard down. His hair was cut, and he was taken prisoner by the Philistines. Samson was humbled, but like Gideon and Deborah, he learned to place his trust in God, and he gave Israel one last victory against the Philistines.

The Judges were great heroes not just because they saved Israel, but because of how they saved Israel. They humbled themselves, overcame their fears, and trusted in God. It was God who made them heroes!

DRIVE IT HOME:

The Bible is filled with heroes like Deborah, Gideon, and Samson. Their trust in God is what makes these people so incredible. It wasn't their own ability that gave them intelligence or super strength or courage. Everything they had came from the Lord, and it worked because God helped them to use these abilities they had been given.

Deborah trusted God when he gave her a vision to save Israel. She had the faith that Barak did not, and her faith helped her to save her people. She went into battle with Barak, just as he requested. God defeated the forces of Jabin, and in the end it was a woman, not Barak, who took down the commander of the enemy army!

Gideon was afraid to trust God at first. If you read on in Judges, you'll see how he tested God several times to make sure he could trust the Lord. The Lord tested him even further by making him reduce his attack force to only 300 men armed with horns, jars, and torches. As crazy as it sounds, God gave Gideon a great victory because he learned to trust in the Lord.

Samson's tale is a tragic one in a way. God blessed him with strength, and he squandered it away thanks to his pride. Samson was sorry for his pride, and he asked God to give him one last chance to be a hero, and he sacrificed himself to defeat Israel's enemies.

This week, I encourage you to go home and ask your parents to read the whole story of Deborah, Gideon, and Samson with you. Discover for yourselves these incredible heroes and the trivia we didn't have time to cover. Discover the incredible faith these three had that allowed them to become true heroes. God can make heroes of us if we trust him the same way.

LARGE GROUP LESSON

CLOSE WITH A SIMPLE PRAYER:

Dear God,

Thank you for the example of faith the judges set for us.

In Jesus' name,

Amen

SMALL GROUP DISCUSSION (K-2ND)

ICEBREAKER:

Tell us something cool about your favorite super hero.

MEMORY VERSE ACTIVITY:

1 Corinthians 8:1b-3

Have the kids sing the memory verse in the style of their favorite pop/rock singer.

SMALL GROUP GAME/ACTIVITY:

Play some super hero Charades, acting out your favorite characters and seeing if the rest of the group can guess who you are.

DISCUSSION QUESTIONS:

Read Judges 4:4-9, 6:14-16, 16:28-30

Who was Deborah?

Who was Gideon?

Who was Samson?

How did these heroes show they had faith in God?

What is something you can do this week to build your faith in God?

SIMPLE PRAYER:

Dear God,

Give us faith like the judges, and help us stay humble.

In Jesus' name,

Amen

SMALL GROUP DISCUSSION (3-5TH)

ICEBREAKER:

Tell us something cool about your favorite super hero.

MEMORY VERSE ACTIVITY:

1 Corinthians 8:1b-3

Have the kids sing the memory verse in the style of their favorite pop/rock singer.

SMALL GROUP GAME/ACTIVITY:

Play some super hero Charades, acting out your favorite characters and seeing if the rest of the group can guess who you are.

DISCUSSION QUESTIONS:

Read Judges 4:4-9, 6:14-16, 16:28-30

Why do you think Deborah had so much faith?

How did Gideon overcome his fears?

Why did Samson have to humble himself?

How did these heroes show they had faith in God?

What is something you can do this week to build your faith in God?

SIMPLE PRAYER:

Dear God,

Give us faith like the judges, and help us stay humble.

In Jesus' name,

Amen

POWERPOINT REVIEW GAME

JEOPARDY

Answer these in the form of a question!

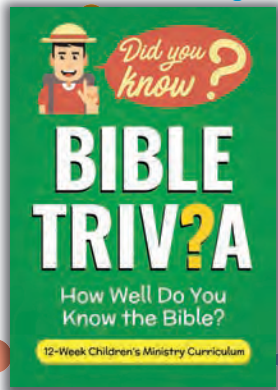
This prophetess told Barak to lead Israel into battle against the wicked King Jabin.
WHO IS DEBORAH?

This book of the Bible tells of men and women who saved Israel in a time before the kings.
WHAT IS JUDGES?

This judge was filled with strength until he got a hair cut.
WHO IS SAMSON?

This judge was afraid to trust God's lead at first.
WHO IS GIDEON?

Each of the judges was able to save Israel because they had this.
WHAT IS FAITH?



MAKE IT STICK

5 Simple Ways You Can Make This Lesson Stick With your Kids

Bible Trivia Lesson 3

THIS WEEK'S LESSON: JUDGE WISELY



IN THE CAR:

Ask your child what they learned about this week on the drive home:

Today we learned about the Judges in Israel, specifically Deborah, Gideon and Samson. Kids will learn how Deborah trusted God completely, Gideon was afraid but learned to trust God, and Samson was prideful and had to be humble before he completely submitted to God. Judges 4:4-9, 6:14-16, 16:28-30



HANGING OUT:

Make this week's lesson real:

Share with the kids your favorite heroes of the faith in the Bible, and why those heroes inspire you.



AT DINNER:

Here are some great discussion starters:

- How did Deborah show she had great faith in God?
- Why do you think Gideon wanted to test God before he trusted him?
- What happened when Samson humbled himself and surrendered to God?



AT BEDTIME:

Quiz your child on this week's memory verse:

"We know that 'We all have knowledge.' But knowledge makes people proud, while love builds them up. Those who think they know something still don't know as they should. But whoever loves God is known by God." 1 Corinthians 8:1b-3 (NIRV)



PARENT TIME:

What you need to know:

The book of Judges is filled with amazing stories of faith and heroism. Read some of these stories with your kids this week, and discuss how God can give us the faith and courage we need to do great things for Him.

CRAFT ACTIVITY

Each week the kids will make a trivia card to take home. After 12 weeks, kids who come every week will have a 12 card trivia game to play at home. Questions to put on this week's card can include:

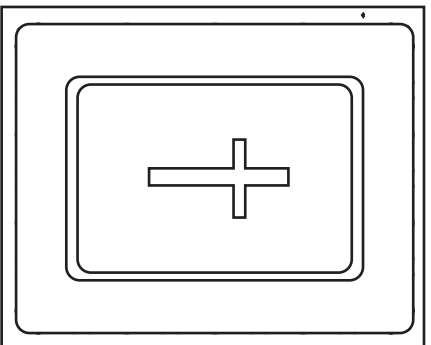
How did Deborah save Israel?

What happened because Barak was afraid to march into battle without Deborah?

How did Gideon defeat the army of Midian?

How did Samson lose his super strength?

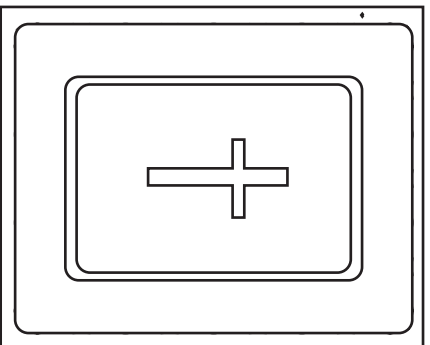
How was Samson able to defeat the Philistines one last time?



"We know that "We all have knowledge." But knowledge makes people proud, while love builds them up. Those who think they know something still don't know as they should. But whoever loves

God is known by God."

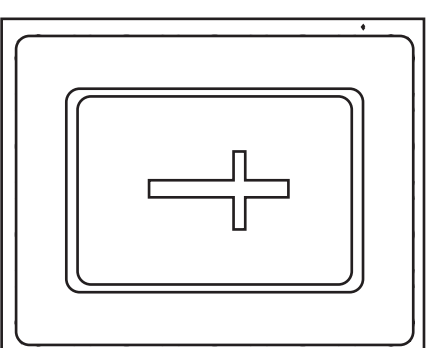
-1 Corinthians 8:1b-3 (NIRV)



"We know that "We all have knowledge." But knowledge makes people proud, while love builds them up. Those who think they know something still don't know as they should. But whoever loves

God is known by God."

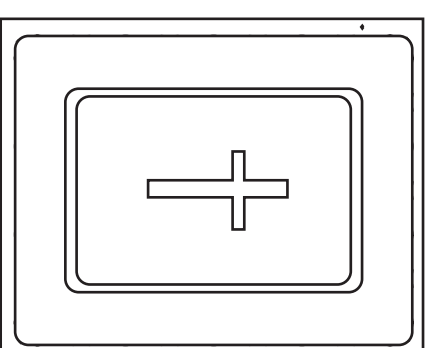
-1 Corinthians 8:1b-3 (NIRV)



"We know that "We all have knowledge." But knowledge makes people proud, while love builds them up. Those who think they know something still don't know as they should. But whoever loves

God is known by God."

-1 Corinthians 8:1b-3 (NIRV)



"We know that "We all have knowledge." But knowledge makes people proud, while love builds them up. Those who think they know something still don't know as they should. But whoever loves

God is known by God."

-1 Corinthians 8:1b-3 (NIRV)