

## LESSON SNAPSHOT

**BOTTOM LINE:**

God made the world, and man brought sin into it.

**OBJECTIVE:**

Kids will learn the story of Creation and the Fall.

**KEY PASSAGE:**

Genesis 1:1-2, 1:26-30 and 3:1-7

**MEMORY VERSE:**

*"We know that "We all have knowledge." But knowledge makes people proud, while love builds them up. Those who think they know something still don't know as they should. But whoever loves God is known by God." 1 Corinthians 8:1b-3 (NIRV)*

**SUMMARY:**

Every story has a beginning, and there's always a first time for everything. Kids will learn about creation, the first man, the first woman, and the first sin.

**SIMPLE PRAYER:**

*Dear God,*

*Thank you for creating us and loving us.*

*In Jesus' name,  
Amen*

## MEMORY VERSE

*"We know that "We all possess knowledge." But knowledge puffs up while love builds up. Those who think they know something do not yet know as they ought to know. But whoever loves God is known by God." 1 Corinthians 8:1b-3 (NIV)*

*"We know that "We all have knowledge." But knowledge makes people proud, while love builds them up. Those who think they know something still don't know as they should. But whoever loves God is known by God." 1 Corinthians 8:1b-3 (NIRV)*

### **LARGE GROUP:**

Divide the room into girls and boys. Have the boys read it aloud, and then have the girls read it aloud. Who can read the loudest?

### **SMALL GROUP:**

Give all the kids a Bible. Then after you read the verse, give them the reference and see who can find it first in their Bible.

## SKIT

### THE ULTIMATE TRIVIA SHOW: ROUND TWO

#### ITEMS NEEDED:

Three podiums for the host and contestants on a game show

#### CHARACTER BREAKDOWN:

2M, 1F

#### CHARACTERS:

Bob Sunshine - Game Show Host

Phil and Millie - Contestants

*Game Show music plays as Bob runs on stage.*

BOB: Hey there, everybody, and welcome to the Ultimate Trivia Show. We've got a real barn burner going here. After one round, Phil and Millie are tied at zero. Let's see if they can get out of that hole in round two with a game we call Password.

PHIL: Swordfish!

BOB: Beg your pardon, Phil?

PHIL: Swordfish, isn't that the password?

BOB: I'm afraid we haven't started yet, Phil. Here's how we're going to play. Millie here is going to be given a list of answers. She will give you clues to these answers, and you will have to guess the answers. Every answer you get right is 100 points for you both.

PHIL: All right, let's rock this!

BOB: Your category is, famous firsts. Ready, Millie? Go!

MILLIE: Okay, this in the beginning. Day one. God made the heaven's and the earth.

PHL: The first movie?

MILLIE: No, not a movie. Way before movies.

# SKIT

PHIL: The first play?

MILLIE: It's not a play. Before any plays or books or songs, God created the...

PHIL: Etch-a-sketch?

BOB: Sorry, time's up. We're looking for the first day.

PHIL: Aw phooey. Okay, give me the next one.

MILLIE: All right, this guy was here before anyone else.

PHIL: The janitor!

MILLIE: No, not this building. I mean he was the number one guy in the world.

PHIL: LeBron James!

MILLIE: Not the number one guy in the NBA today, of all time.

PHIL: Michael Jordan!

MILLIE: I mean the whole world!

PHIL: Shakespeare?

BOB: Times up! We're looking for Adam. The first man was Adam.

PHIL: Dang! Okay, next one.

MILLIE: Come on, Phil. You can do this. Okay, this woman was number one.

PHIL: Taylor Swift.

MILLIE: Think earlier than that! Like Adam. You know, the first man? She was the first woman?

PHIL: Joan of Arc? Annie Oakley? Miley Cyrus?

BOB: Sorry, Phil, we're looking for Eve.

MILLIE: Come on, Phil! Okay, last one. This is what happened when Adam and Eve picked an apple.

# SKIT

PHIL: They invented applesauce.

MILLIE: There was a snake.

PHIL: They were bitten by the snake!

MILLIE: This is when everything went wrong!!

PHIL: When I signed up for this game show!

BOB: Time's up! The answer is, the first sin.

PHIL: Awww man!

BOB: Sorry, contestants, the score is still tied at zero to zero. But we'll be back in just a moment for round three.

## OBJECT LESSON OR KIDS SERMON

### ITEMS NEEDED:

A pair of baby shoes or another baby memento

*Share the object you've brought in with the kids. Explain what it is, whose it is, and why it was saved.*

How many of your parents have saved your first pair of shoes? Your first outfit? Your first blanket? Firsts are important, and parents savor every first with their children. Ask your parents and I guarantee they can remember all of your most important firsts!

The Bible begins with a series of firsts. It starts with the creation, a story that ends with the first man and the first woman. It then tells us about the first sin, and how that sin separated us from God. It's not a happy ending to the first story in the Bible, but the good news is, God loved us enough not to let the story end there. He sent Jesus to give us a new beginning, a new "first" so that we can have eternal life.

The firsts of the Bible are only the beginning of a story that continues today. Let's remember these firsts so that we will never forget the amazing things Jesus did for us.

## LARGE GROUP GAME

### BIBLE TRIVIA ROUND TWO

#### ITEMS NEEDED:

Buzzers (if available)

#### INSTRUCTIONS:

Every week, the kids will be playing a quiz game, answering questions about the Bible, specifically answering questions about the lesson from the week before. Choose two players, and give them buzzers (if available) or have them raise their hands to answer. The kid who answers the most questions correctly wins.

#### Here are the questions for week two:

How many Testaments are in the Bible?

TWO

How many books are in the whole Bible?

66

How many books are in the Old Testament?

39

How many books are in the New Testament?

27

True or False: Matthew, Mark, Luke, and John all wrote books in the Bible.

TRUE

True or False: Noah, Abraham, and Jacob wrote books in the Bible.

FALSE

True or False: All scripture is God-breathed and useful for instruction and teaching.

TRUE

## LARGE GROUP LESSON

### **BOTTOM LINE:**

God made the world, and man brought sin into it.

### **OBJECTIVE:**

Kids will learn the story of Creation and the Fall.

### **KEY PASSAGE:**

Genesis 1:1-2, 1:26-30 and 3:1-7

### **INTRO:**

One popular topic you'll find in many trivia games is Famous Firsts. It's always interesting to find out who the first person was to do something amazing. For example, the Wright brothers were the first men to build a working airplane. Charles Lindbergh was the first man to fly across the Atlantic Ocean. Chuck Yeager was the first man to break the sound barrier. Yuri Gagarin was the first man in space, and Neil Armstrong was the first man to walk on the moon.

You can find firsts in just about any category. Thomas Edison was the first man to make a horror movie. Wings was the first film to win the Academy Award for Best Picture. Snow White and the Seven Dwarfs was the first full-length animated movie. And the first Star Wars movie came out in what year? (See if a kid can answer... it was 1977.)

The Bible has some pretty exciting firsts of its own. Abraham was chosen to be the first father of his people Israel. Saul was the first king of Israel. Mary Magdalene was the first follower to see Jesus after he was raised from the dead.

But before we get to any of these stories, we're going to start with the first book of the Bible, Genesis. The first three chapters of Genesis are full of famous firsts. These famous firsts tell the story of how the world began, how people became a part of it, and how everything went terribly wrong.

**READ GENESIS 1:1-2, 1:26-30 and 3:1-7**

### **MAIN POINT:**

The Bible begins with the first week, when God created the Earth.

# LARGE GROUP LESSON

Our all-powerful and amazing God made the heavens and the Earth; the land, sea, and air; the plants on the ground; the birds in the sky; the fish in the sea; and the animals that live on land.

Then God made another first - the first human. Adam was the very first person on Earth, made in the image of God. When God saw Adam was lonely, he made one more first - the first woman. God saw everything and said that it was good.

But that's not the last first we read today. The man and woman God created were given the first rule - do not eat from the Forbidden Tree. When they broke the first rule, they committed the first sin, separating themselves and all of us from God.

## **DRIVE IT HOME:**

The first story of the Bible doesn't have a happy ending. It ends with the first man and the first woman being kicked out of their first home, the Garden of Eden. They are no longer able to live side by side with their Creator because of their sin. They are sent out into a world now filled with sin, sickness, and death.

The good news is this is not the only story in the Bible. It's the first story. The first of many. Even as Adam and Eve walked out of the Garden, God was making a plan to be reunited with his loved ones. God would one day send a Savior to pay the price for their sins and the sins of the whole world.

God knows there is nothing we can do to save ourselves from sin. God sent Jesus to die for our sins so he could give us new life. God wants to give us a new first. He wants to give us a relationship with Jesus so we can know him personally and live forever in paradise.

The firsts of the Bible are just the beginning of a much larger story. God created the world. He created the first people. The first people committed the first sin. But God did not end the story there. He loved us enough to want to give us a new first, a fresh start as believers in Christ. The firsts of the Bible tell us who we are and how we got here, and they show us how much we have to be thankful for because God loves us.

## **CLOSE WITH A SIMPLE PRAYER:**

*Dear God,*

*Thank you for creating us and loving us.*

*In Jesus' name,*

*Amen*

## SMALL GROUP DISCUSSION (K-2ND)

### ICEBREAKER:

Do you know what your first word was?

### MEMORY VERSE ACTIVITY:

**1 Corinthians 8:1b-3**

Give all the kids a Bible. Then after you read the verse, give them the reference and see who can find it first in their Bible.

### SMALL GROUP GAME/ACTIVITY:

Play Password or Charades with the kids. Choose one kid to give each clue and see if the other kids can guess.

### DISCUSSION QUESTIONS:

**Read Genesis 1:1-2, 1:26-30 and 3:1-7**

Who made the world?

Who were the first two people?

What was the first sin?

Why did the first two people have to leave the Garden?

What do the firsts of the Bible tell us about God and ourselves?

### SIMPLE PRAYER:

*Dear God,*

*Help us to remember the firsts of the Bible.*

*In Jesus' name,*

*Amen*

## SMALL GROUP DISCUSSION (3-5TH)

### ICEBREAKER:

Do you know what your first word was?

### MEMORY VERSE ACTIVITY:

#### 1 Corinthians 8:1b-3

Give all the kids a Bible. Then after you read the verse, give them the reference and see who can find it first in their Bible.

### SMALL GROUP GAME/ACTIVITY:

Play Password or Charades with the kids. Choose one kid to give each clue and see if the other kids can guess.

### DISCUSSION QUESTIONS:

Read Genesis 1:1-2, 1:26-30 and 3:1-7

What is the first thing the Bible tells us about God?

How did God make the first people?

Why did Adam and Eve commit the first sin?

What do the firsts of the Bible tell us about God?

What do these firsts teach us about ourselves?

### SIMPLE PRAYER:

*Dear God,*

*Help us to remember the firsts of the Bible.*

*In Jesus' name,*

*Amen*

## POWERPOINT REVIEW GAME

### JEOPARDY

Answer these in the form of a question!

Genesis is the first of these in the Bible.

WHAT IS THE FIRST BOOK?

This is the number of days God took to make the Earth.

WHAT IS SIX?

This was the name of the first man.

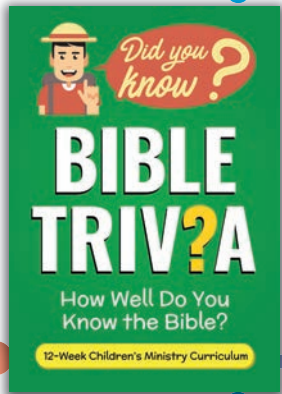
WHO IS ADAM?

Eve was the first of this.

WHO WAS THE FIRST WOMAN?

This happened when Adam and Eve ate the forbidden fruit.

WHAT IS THE FIRST SIN?



# MAKE IT STICK

5 Simple Ways You Can Make This Lesson Stick With your Kids

## Bible Trivia Lesson 2

### THIS WEEK'S LESSON: A LOT OF FIRSTS



#### IN THE CAR:

Ask your child what they learned about this week on the drive home:

Every story has a beginning, and there's always a first time for everything. Kids will learn about creation, the first man, the first woman, and the first sin. Genesis 1:1-2, 1:26-30 and 3:1-7



#### HANGING OUT:

Make this week's lesson real:

Share with your kids some of the firsts you've saved from when they were babies: first photos, first outfits, first shoes, etc. What did these firsts mean to you?



#### AT DINNER:

Here are some great discussion starters:

- What is the first story of the Bible?
- What happened to the first man and woman?
- What do the firsts of the Bible teach us about the world?



#### AT BEDTIME:

Quiz your child on this week's memory verse:

*"We know that 'We all have knowledge.' But knowledge makes people proud, while love builds them up. Those who think they know something still don't know as they should. But whoever loves God is known by God." 1 Corinthians 8:1b-3 (NIRV)*



#### PARENT TIME:

What you need to know:

Genesis sets the stage for the story of the Bible. God made the world and us, and then sin entered the world and separated us from God. Thankfully, this was not the end of the story. God sent Jesus to restore us and give us a new first - a relationship with Jesus.

## CRAFT ACTIVITY

Each week the kids will make a trivia card to take home. After 12 weeks, kids who come every week will have a 12 card trivia game to play at home. Questions to put on this week's card can include:

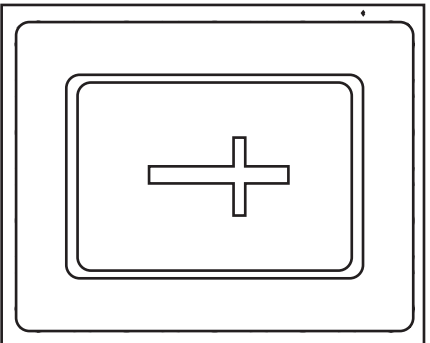
What is the first book of the Bible?

What happened on the first day of creation?

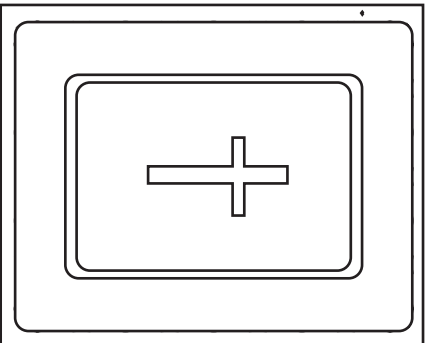
Who was the first man?

Who was the first woman?

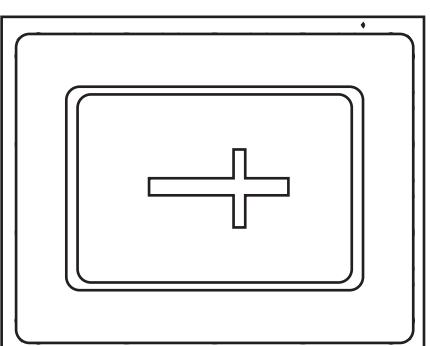
What was the first sin?



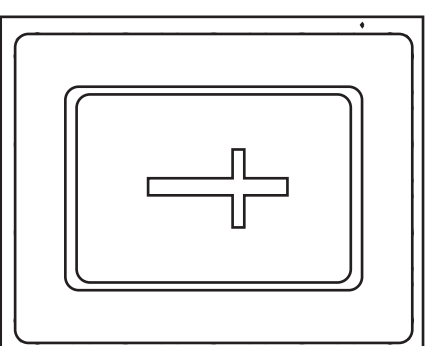
"We know that "We all have knowledge." But knowledge makes people proud, while love builds them up. Those who think they know something still don't know as they should. But whoever loves God is known by God."  
-1 Corinthians 8:1b-3 (NIRV)



"We know that "We all have knowledge." But knowledge makes people proud, while love builds them up. Those who think they know something still don't know as they should. But whoever loves God is known by God."  
-1 Corinthians 8:1b-3 (NIRV)



"We know that "We all have knowledge." But knowledge makes people proud, while love builds them up. Those who think they know something still don't know as they should. But whoever loves God is known by God."  
-1 Corinthians 8:1b-3 (NIRV)



"We know that "We all have knowledge." But knowledge makes people proud, while love builds them up. Those who think they know something still don't know as they should. But whoever loves God is known by God."  
-1 Corinthians 8:1b-3 (NIRV)