

LESSON SNAPSHOT

BOTTOM LINE:

The Bible is God's Word.

OBJECTIVE:

Kids will be able to say what the Bible is and why we can trust it.

KEY PASSAGE:

2 Timothy 3:16-17

MEMORY VERSE:

"We know that "We all have knowledge." But knowledge makes people proud, while love builds them up. Those who think they know something still don't know as they should. But whoever loves God is known by God." 1 Corinthians 8:1b-3 (NIRV)

SUMMARY:

In this lesson kids will learn trivia about the Bible itself, how many books are included, who wrote it, and why it can be trusted.

SIMPLE PRAYER:

Dear God,

Thank you for the Bible.

*In Jesus' name,
Amen*

MEMORY VERSE

"We know that "We all possess knowledge." But knowledge puffs up while love builds up. Those who think they know something do not yet know as they ought to know. But whoever loves God is known by God." 1 Corinthians 8:1b-3 (NIV)

"We know that "We all have knowledge." But knowledge makes people proud, while love builds them up. Those who think they know something still don't know as they should. But whoever loves God is known by God." 1 Corinthians 8:1b-3 (NIRV)

LARGE GROUP:

Put the verse on the big screen and read it aloud with the kids.

SMALL GROUP:

Ask the kids what they think the writer was trying to say when he wrote these words. Then ask them how this verse is connected to today's story.

SKIT

THE ULTIMATE TRIVIA SHOW: ROUND ONE

ITEMS NEEDED:

Three podiums for the host and contestants on a game show
A purse with money in it
An inflatable hammer

CHARACTER BREAKDOWN:

2M, 1F

CHARACTERS:

Bob Sunshine - Game Show Host
Phil and Millie - Contestants

Game Show music plays as Bob runs on stage.

BOB: Hey there, everybody, and welcome to the Ultimate Trivia Show. This game isn't your ordinary game show, folks. This is twelve rounds of intense competition we like to call the Ultimate Trivia Challenge! Let's meet our first victims - oops, I mean contestants. First, he's a telemarketer from Cleveland. Please say hello to Phil Brooks!

Phil enters and runs to a podium.

BOB: Next, she's a dog groomer from Santa Fe, New Mexico. Give it up for Millie Franklin-Johnson!

Millie enters and runs to a podium. Bob walks to his podium.

BOB: Okay, here's how we play. There will be twelve rounds in the Ultimate Trivia Show, and each round will have its own unique set of rules. Round one is Truth or Penalty. In this round, contestants, you will be asked one simple question. Get the question right, and you win a hundred dollars. Get it wrong, and you will have to pay the penalty.

PHIL: Penalty? What kind of penalty?

BOB: Millie, here is your first question. What book is known as the Word of God?

SKIT

MILLIE: Oooh, that's a tough one. Umm...

A buzzer sounds.

BOB: Oh, I'm sorry, Millie, you're out of time. The answer is the Holy Bible. You haven't told the truth, you'll have to pay the penalty. This time the penalty is five bucks.

MILLIE: Oh, I think I have that in my purse. *(pulls out five bucks)* Here you go, Bob.

BOB: Thanks. Okay, Phil, over to you. Your question is, the Bible is divided into two parts: the Old and New What?

PHIL: Um. I don't know.

Buzzer.

BOB: Oh, I am sorry, Phil. The answer was Testament. You must pay the penalty.

Bob pulls out the inflatable hammer and hits Phil on the head.

PHIL: OWW! Hey, come on! All she had to do was pay five bucks!

BOB: Millie, we're back to you. How many books are in the Old Testament?

MILLIE: Seven?

Buzzer.

BOB: Oh, I am sorry. The answer was thirty-nine. This time, your penalty is you have to give up your shoes.

MILLIE: Is that all? *(takes off her shoes)* Here, take them. I have a spare in the green room.

BOB: Phil, we're back to you. How many books in the New Testament?

PHIL: Thirty-nine?

Buzzer.

PHIL: I'm sorry, the answer was twenty-seven.

Bob hits Phil with the hammer again.

SKIT

PHIL: Hey, come on!

BOB: Our contestants are off to a rough start, but I think the show is going great.

MILLIE: Me too.

PHIL: Not me!

BOB: We have to take a break, but when we come back, we'll get into round two!

Bob hits Phil again with the hammer.

PHIL: I didn't even answer anything wrong that time!

BOB: You didn't answer anything right either. Stick around, folks! We'll be back!

OBJECT LESSON OR KIDS SERMON

ITEMS NEEDED:

A stack of reference or how-to books

Begin this lesson by going through the books. Ask the kids to read the titles and then guess what the books teach you.

People read books to learn everything: how to deal with the loss of a loved one, how to repair a motorcycle, how to perform magic tricks. Books can teach us a lot about life, skills, the world around us, sports, anything you can imagine.

God gave us a very special book we call the Bible. The Bible is God's Word, given to men throughout ancient history. He gave these men the words to write so that we could know who God is and that God loves us. The Bible is filled with history, poetry and stories, all of which help us get to know our Creator.

The more we know our Bible, the more we know God. And the more we know God, the more we will know how God wants us to live. It is a must-read for anyone who wants to live a life that honors God.

Make sure the Bible isn't just a book sitting on your shelf. Make the Bible the book you read the most!

LARGE GROUP GAME

BIBLE TRIVIA ROUND ONE

ITEMS NEEDED:

Buzzers (if available)

INSTRUCTIONS:

Every week, the kids will be playing a quiz game, answering questions about the Bible, specifically answering questions about the lesson from the week before. Choose two players, and give them buzzers (if available) or have them raise their hands to answer. The kid who answers the most questions correctly wins.

Since this is week one, this will be a sort of “pre-test” quiz.

Here are the questions for week one:

What is the first book of the Bible?

GENESIS

The Bible is split into two parts called the old and new what?

TESTAMENT

What book of the Bible has the most chapters?

PSALMS

Isaiah and Daniel are two of the five books known as the Major what?

PROPHETS

Name one of the four Gospel books that tells the story of Jesus.

MATTHEW, MARK, LUKE, or JOHN

In what book can we find the Ten Commandments?

EXODUS (DEUTERONOMY is also an acceptable answer)

What is the last book of the Bible?

REVELATION

LARGE GROUP LESSON

BOTTOM LINE:

The Bible is God's Word.

OBJECTIVE:

Kids will be able to say what the Bible is and why we can trust it.

KEY PASSAGE:

2 Timothy 3:16-17

INTRO:

How many of you guys like trivia? Do you ever play the trivia games on the video screens at restaurants? How many of you have played Trivial Pursuit with your family at home?

Even if you haven't played a game called trivia, you've played at least one trivia game in your life. Any game that tests your knowledge of music, movies, television, arts, sciences, literature, or history, that's trivia.

All of us are trivia experts at one thing or another. Some of you are probably experts in Pokemon trivia. Some of you are probably experts in your favorite books and movies. How about Diary of a Wimpy Kid? Are there any Disney movie experts in here? What about Star Wars?

Trivia is a lot of fun, and sometimes, it's even useful. How many of you know Bible trivia? Who here knows how many books are in the Bible? How many gospels are in the Bible, and where they are found? Can any of you name at least three authors of the Bible?

For the next twelve weeks, we're going to be learning some amazing trivia about the Bible. The Bible is the Word of God, given to us so that we could have an answer in almost every life situation. The Bible tells us who we are, where we came from, who made us, and how much our Maker loves us. The Bible is our guide to knowing God and knowing how to live in a crazy world full of sin, sadness, beauty, and yes, even game shows. Here's what Paul, one of the chief writers of the Bible, has to say about the book he helped write.

READ 2 TIMOTHY 3:16-17

LARGE GROUP LESSON

MAIN POINT:

The Bible was written down by men like Paul, but Paul tells us that every word of it is “God-breathed.” In other words, God inspired men like Paul, Matthew, Mark, Luke, John, Peter, Moses, Daniel, Isaiah, Jonah, David, Solomon, Jeremiah, Ezekiel, and more to write the books that make up our Bibles. We can trust the Bible because the men who wrote it were inspired not by their own imaginations, but by the God they loved and served.

The Bible is filled with stories, many of which have been validated by archaeologists and historians. It is also full of poetry, parables, prophecy, wisdom, and teaching. Every part, from Genesis to Revelation, has a purpose. The Bible tells us who God is. It tells us that we were created by God, and that God loves us. It tells us that God has a plan for us, and if we follow that plan, we can live a life that honors God and leads others to a relationship with Him.

DRIVE IT HOME:

Here are a few more things to know about the Bible. First, the book we call the Bible is actually made up of sixty-six smaller books. These books are divided into two parts.

The Old Testament includes the first 39 books of the Bible. These books were written by the leaders of ancient Israel, men like Moses and Joshua; kings like David and Solomon; and prophets including Isaiah, Daniel, Ezekiel, Jeremiah, and Jonah. It tells the story of Creation and the beginning of the World. It introduces us to God, it shows us who God is, and it tells us how we were separated from God by sin.

The Old Testament also shows us that while God hates sin, he loves us very much. God punishes sin, but he also forgives when we tell him we are sorry. God also loved us enough that he made a plan to save us from sin.

The New Testament begins with God’s plan of salvation. God sent his son Jesus to die for our sins so he could give us new life. There are 27 books in the New Testament. The first four tell the story of Jesus, and the other 23 teach us how we can live for Jesus.

The New Testament was written by men who knew Jesus or knew people who had been with Jesus. Matthew, Mark, and John were all followers who saw him perform miracles with their own eyes. The Apostle Paul, who wrote much of the New Testament, was an enemy of Jesus who became one of the leaders in the early church. Most of these men gave their lives for Jesus, just another reason why we can believe that the words they wrote are true.

The Bible teaches us who we are. It tells us that God loves us and wants to have a relationship with us. It gives us answers for every situation we will encounter in life. The Bible is the single most important book on our bookshelves. It’s the one that should never gather dust because we need it the most.

BIBLE TRIVIA: HOW MANY BOOKS IN A GOOD BOOK

LARGE GROUP LESSON

As we learn more trivia about the Bible in the next few months, I hope it will become the book you read most, now, and for the rest of your life.

CLOSE WITH A SIMPLE PRAYER:

Dear God,

Thank you for the Bible.

In Jesus' name,

Amen

SMALL GROUP DISCUSSION (K-2ND)

ICEBREAKER:

What is your favorite game show?

MEMORY VERSE ACTIVITY:

1 Corinthians 8:1b-3

Ask the kids what they think the writer was trying to say when he wrote these words. Then ask them how this verse is connected to today's story.

SMALL GROUP GAME/ACTIVITY:

Using a soft object like a small ball or stuffed animal see who can "buzz" in the fastest by grabbing the object first when you say "go!" Do this with groups of 2 so it is just a 1 on 1 competition and make sure everyone gets a chance to try. Say "just like you have to be fast to win a game show, the more quickly you can recall Bible knowledge the easier it will be to use it in your life."

DISCUSSION QUESTIONS:

Read 2 Timothy 3:16-17

What is the Bible?

How many books are in the Bible?

Who were some of the men who wrote the Bible?

What does the Bible tell us about Jesus?

Why do we need to read the Bible?

SIMPLE PRAYER:

Dear God,

Teach us to read the Bible every day.

*In Jesus' name,
Amen*

SMALL GROUP DISCUSSION (3-5TH)

ICEBREAKER:

What is your favorite game show?

MEMORY VERSE ACTIVITY:

1 Corinthians 8:1b-3

Ask the kids what they think the writer was trying to say when he wrote these words. Then ask them how this verse is connected to today's story.

SMALL GROUP GAME/ACTIVITY:

Using a soft object like a small ball or stuffed animal see who can "buzz" in the fastest by grabbing the object first when you say "go!" Do this with groups of 2 so it is just a 1 on 1 competition and make sure everyone gets a chance to try. Say "just like you have to be fast to win a game show, the more quickly you can recall Bible knowledge the easier it will be to use it in your life."

DISCUSSION QUESTIONS:

Read 2 Timothy 3:16-17

How many books are in the Bible?

Who were some of the men who wrote the Bible?

What does the Bible teach us about God and us?

How do we know we can trust the Bible is true?

Why do we need to read the Bible?

SIMPLE PRAYER:

Dear God,

Teach us to read the Bible every day.

*In Jesus' name,
Amen*

POWERPOINT REVIEW GAME

JEOPARDY

Answer these in the form of a question!

This book is the Word of God. It was God-breathed and is useful for teaching and instruction.

WHAT IS THE BIBLE?

This is the total number of books in the Bible.

WHAT IS 66?

This is the Son of God, who came to save us from our sins.

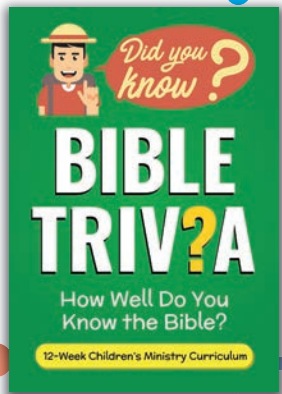
WHO IS JESUS?

The books of Matthew and Luke that tell the story of Jesus appear in this part of the Bible.

WHAT IS THE NEW TESTAMENT?

This is how often we should read our Bibles.

WHAT IS EVERY DAY?



MAKE IT STICK

5 Simple Ways You Can Make This Lesson Stick With your Kids

Bible Trivia Lesson 1

THIS WEEK'S LESSON: HOW MANY BOOKS IN A GOOD BOOK



IN THE CAR:

Ask your child what they learned about this week on the drive home:

Today we started a new series all about the Bible. We learned that the Bible is the Word of God and has 66 books. We also learned that it was written by men who served God, many of whom gave their lives for him, and that all of it was inspired by God. 2 Timothy 3:16-17



HANGING OUT:

Make this week's lesson real:

How many Bibles do you have in your house? Do a search and see how many you can find on everyone's bookshelves.



AT DINNER:

Here are some great discussion starters:

- How many books are in the Bible?
- Who were some of the people who wrote the Bible?
- Why is it important to read the Bible all the time?



AT BEDTIME:

Quiz your child on this week's memory verse:

"We know that 'We all have knowledge.' But knowledge makes people proud, while love builds them up. Those who think they know something still don't know as they should. But whoever loves God is known by God." 1 Corinthians 8:1b-3 (NIRV)



PARENT TIME:

What you need to know:

Throughout this series, kids will be challenged to not only learn about the Bible but start reading it for themselves. If you're not in the daily habit, this is a good opportunity to start a daily Bible study of your own!

CRAFT ACTIVITY

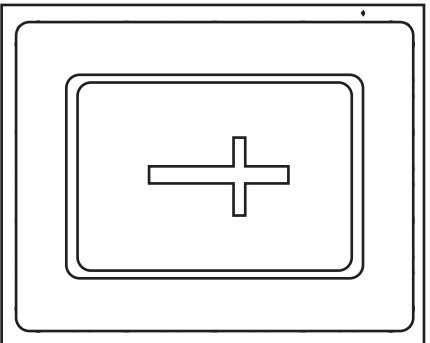
Each week the kids will make a trivia card to take home. After 12 weeks, kids who come every week will have a 12-card trivia game to play at home. Questions to put on this week's card can include:

How many books are in the Bible?

What are the two parts (Testaments) of the Bible?

How many books are in the Old Testament?

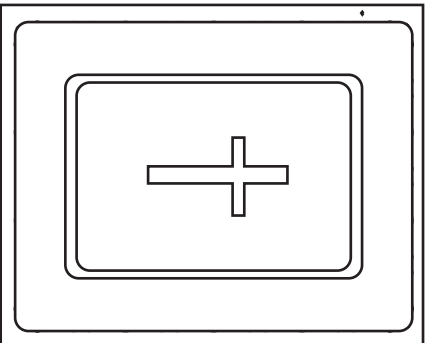
How many books are in the New Testament?



"We know that "We all have knowledge." But knowledge makes people proud, while love builds them up. Those who think they know something still don't know as they should. But whoever loves

God is known by God."

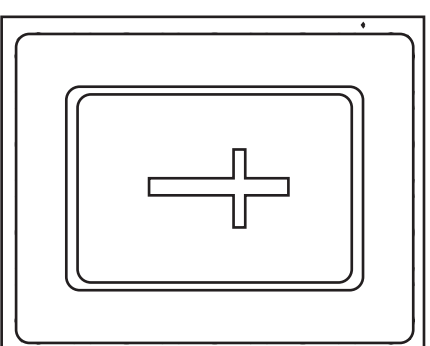
-1 Corinthians 8:1b-3 (NIRV)



"We know that "We all have knowledge." But knowledge makes people proud, while love builds them up. Those who think they know something still don't know as they should. But whoever loves

God is known by God."

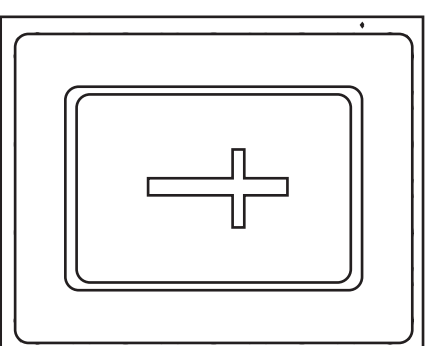
-1 Corinthians 8:1b-3 (NIRV)



"We know that "We all have knowledge." But knowledge makes people proud, while love builds them up. Those who think they know something still don't know as they should. But whoever loves

God is known by God."

-1 Corinthians 8:1b-3 (NIRV)



"We know that "We all have knowledge." But knowledge makes people proud, while love builds them up. Those who think they know something still don't know as they should. But whoever loves

God is known by God."

-1 Corinthians 8:1b-3 (NIRV)