

## LESSON SNAPSHOT

**BOTTOM LINE:**

We need to study God's Word continually.

**OBJECTIVE:**

Kids will answer key trivia questions about the Bible.

**KEY PASSAGE:**

2 Timothy 2:15, Teach the Word of God Correctly

**MEMORY VERSE:**

*"We know that "We all have knowledge." But knowledge makes people proud, while love builds them up. Those who think they know something still don't know as they should. But whoever loves God is known by God." 1 Corinthians 8:1b-3 (NIRV)*

**SUMMARY:**

The Bible is God's Word. The more we study it, the better we will know God and his will for our lives. In this final lesson kids will review questions from all of the Bible trivia they have learned.

**SIMPLE PRAYER:**

*Dear God,*

*Thank you for the Bible.*

*In Jesus' name,  
Amen*

## MEMORY VERSE

*“We know that “We all possess knowledge.” But knowledge puffs up while love builds up. Those who think they know something do not yet know as they ought to know. But whoever loves God is known by God.” 1 Corinthians 8:1b-3 (NIV)*

*“We know that “We all have knowledge.” But knowledge makes people proud, while love builds them up. Those who think they know something still don’t know as they should. But whoever loves God is known by God.” 1 Corinthians 8:1b-3 (NIRV)*

### **LARGE GROUP:**

Pick out some kids at random from the crowd and see who can recite the memory verse. Then repeat it all together.

### **SMALL GROUP:**

Pair the kids off and have them recite the verse to each other.

## SKIT

### THE ULTIMATE TRIVIA SHOW: ROUND TWELVE

#### ITEMS NEEDED:

Three podiums for the host and contestants on a game show

#### CHARACTER BREAKDOWN:

2M, 1F

#### CHARACTERS:

Bob Sunshine - Game Show Host

Phil and Millie - Contestants

*Game Show music plays as Bob drags himself back on stage. He's really looking bad now.*

BOB: Well, folks, this is it. The end of the show, and the end of my career. I'm Bob Sunshine, and this is The Ultimate Trivia Show. That's Phil, and that's Millie. They are now millionaires.

MILLIE: This is the best day of my life!

PHIL: That makes two of us!

BOB: I'm supposed to ask you two some more questions, but frankly, I'm in the hole far enough as it is, so I'd rather not give you the chance to win any more money.

MILLIE: Oh come on, Bob, quiz us!

BOB: No, I'd rather we just let the clock tick down on my career and be done with it.

PHIL: Fine, then, we'll just quiz ourselves.

MILLIE: That sounds like fun.

PHIL: Okay, okay. Like what is the first book of the Bible?

MILLIE: The first book.... Is it Revelation?

# SKIT

BOB: It's Genesis!

PHIL: Good job, Bob! Okay next. What are the two halves of the Bible?

MILLIE: The red half and the blue half?

BOB: The New Testament and the Old Testament!

PHIL: Hey, that's right! Okay, name three judges from the Bible.

MILLIE: Judge Judy, Judge Wapner...

BOB: Oh for goodness sake, Deborah, Gideon, and Samson!

PHIL: He's right again!

MILLIE: Let me ask him one. Who were the first three kings of Israel?

BOB: Saul, David, and Solomon.

MILLIE: Name two Minor Prophets.

BOB: Micah and Hosea.

MILLIE: Name three disciples of Jesus.

BOB: Simon the Zealot, Matthew, and Judas.

PHIL: Who was the enemy of Jesus who became a leader in the new church?

BOB: Saul, who became Paul!

MILLIE: Why did Jesus die?

BOB: To save us from our sins!

MILLIE: What is the last book in the Bible?

BOB: Revelation!

PHIL: Amazing!

MILLIE: He's a genius!

# SKIT

PHIL: He's perfect!

BOB: Perfect for what?

MILLIE: Bob, we have good news for you. You gave away so much money today, the producers are selling the show.

BOB: How is that good news?

PHIL: Because we bought the show! And because you're so smart with all this trivia...

MILLIE: We want you to be the host!

BOB: Really?

MILLIE: Yes!

BOB: Well, I guess this isn't the end of my career after all. But it is the end of our show. I'm Bob Sunshine, and this has been The Ultimate Trivia Show.

## OBJECT LESSON OR KIDS SERMON

### ITEMS NEEDED:

A recent Kids Bop CD

*Begin this lesson by reading off the names of a few songs on the CD. Ask the kids if they know the words to each one you mention, and let them sing a bit.*

Pop songs get stuck in our heads because we hear them all the time. It's easy to memorize them because they play on the radio over and over.

But how well did you guys know the Bible when we started this series? Who knew there were 66 books in the Bible? Who knew the names of at least one Major Prophet? Who knew the judges, or the first kings of Israel, or the disciples?

The more we read the Bible, the more trivia we pick up. Soon it won't just be trivia. The Bible will be the book that guides our steps every day.

Don't let today be the end of your Bible study. Read the Bible daily, so that it will be what fills your mind even more than pop songs and learn what God has to say. It's not just trivia. It's the Word of God!

## LARGE GROUP GAME

### BIBLE TRIVIA ROUND TWELVE

#### ITEMS NEEDED:

Buzzers (if available)

#### INSTRUCTIONS:

Every week, the kids will be playing a quiz game, answering questions about the Bible, specifically answering questions about the lesson from the week before. Choose two players, and give them buzzers (if available) or have them raise their hands to answer. The kid who answers the most questions correctly wins.

#### Here are the questions for week twelve:

What is the last book of the Bible?

REVELATION

What does John tell us that God is creating for us?

A NEW HEAVEN AND EARTH

How many books are in the whole Bible?

66

Deborah and Gideon were what type of Bible hero?

JUDGES

Isaiah and Jonah were what type of Bible hero?

PROPHETS

Who was the enemy of the church who became a missionary for Jesus?

SAUL/PAUL

What book is God-breathed and useful for instruction and teaching?

THE BIBLE

## LARGE GROUP LESSON

### **BOTTOM LINE:**

We need to study God's Word continually.

### **OBJECTIVE:**

Kids will answer key trivia questions about the Bible.

### **KEY PASSAGE:**

2 Timothy 2:15, Teach the Word of God Correctly

### **INTRO:**

Today is the last day for our trivia series, so we're going to end it with a trivia quiz! I'll ask the questions and if you think you know the answer, raise your hand.

How many books are in the Bible?

66

What book of the Bible tells the story of creation and the fall of man?

GENESIS

Name at least two judges that we studied in this series.

DEBORAH, GIDEON, SAMSON

Name at least one king of Israel that we studied.

SAUL, DAVID, SOLOMON

Who carried special messages to God's people from God himself?

THE PROPHETS

Who was the Savior that God sent to die for our sins?

JESUS

Who were the twelve men Jesus picked to be his closest followers?

THE DISCIPLES

Who was the man who started out persecuting Christians and became a Christian missionary himself?

PAUL

# LARGE GROUP LESSON

What is the book of Revelation about?

THE END OF THE WORLD

Good! You guys have learned a lot of trivia about the Bible in the last few months. I hope it sticks with you, but not just so you can answer Bible trivia questions. The Bible is the Word of God, and God wants us to learn it. He wants us to read it every day so it's not just trivia to us; it's our guide for life. God wants us to be believers like Paul told his student Timothy to be.

## READ 2 TIMOTHY 2:15

### MAIN POINT:

The more we learn the Bible, the more we know about God, and the more we know about God's will. We won't be easily swayed by false teachings and people who try to manipulate the Bible. We will be able to use the Bible's words wisely and with compassion for others. The Bible's not a book of trivia. It's the Word of God. We want to challenge you to dig into God's Word every day, now, and for the rest of your life!

### DRIVE IT HOME:

God gave us the Bible to teach us where we came from and where he wants us to go. Through the Bible, we learn who created us. We learn how this world became messed up with sin. We learn about how God chose a special people and prepared them for the coming of our Savior through his prophets. We learn how Jesus was born, how he lived, and how he died for us so that he could forgive our sins. We learn about the early church, founded by the disciples, so that the whole world could know the story of Jesus. We learn that when this world comes to an end, God will have a new home prepared for all who believe.

All of this was written down by men of God so that we could know God. The men who wrote the Bible wanted all of us to give our hearts to him. They wanted us to know that God loves us, that Jesus died for us, and that we can trust him with our lives.

If all we get from the Bible is some fun trivia, we're missing the point. The Bible is a love letter from God. It's a history of the world. It's an invitation to start our own journey with Jesus. If you've never accepted that invitation, you can do so today. We'd love to share with you how you can make Jesus your Savior, and we'd love to encourage you as you begin to study God's Word in a deeper way.

There are many things we can learn about the Bible, but the greatest lesson is this. God loves you, and he wants you to love him back. Let Jesus into your heart today, and begin to study his Word. The Bible's adventure doesn't end with knowing some facts from Genesis to Revelation, that's just the beginning of learning how to live a brand new, Jesus-filled life!

# LARGE GROUP LESSON

It begins anew every time someone gives their heart to Jesus. Please talk to one of us or your parents today if you want to make Jesus your Lord and Savior.

## **CLOSE WITH A SIMPLE PRAYER:**

*Dear God,*

*Thank you for the Bible.*

*In Jesus' name,*

*Amen*

## SMALL GROUP DISCUSSION (K-2ND)

### ICEBREAKER:

What's the most interesting thing you learned about the Bible during this series?

### MEMORY VERSE ACTIVITY:

**1 Corinthians 8:1b-3**

Pair the kids off and have them recite the verse to each other.

### SMALL GROUP GAME/ACTIVITY:

Have the kids stand up in a circle. Go around the group, and re-ask the questions from the main lesson. If a kid gets the answer right, they keep standing. If not, they have to sit down. How many are left when you're all done?

### DISCUSSION QUESTIONS:

**Read 2 Timothy 2:15**

What is the Bible?

Why did God give us the Bible?

What does the Bible teach us about Jesus?

Does everyone have a Bible they can read with their parents at home?

How can we ask Jesus into our hearts?

### SIMPLE PRAYER:

*Dear God,*

*Help us to learn and study your Word.*

*In Jesus' name,*

*Amen*

## SMALL GROUP DISCUSSION (3-5TH)

### ICEBREAKER:

What's the most interesting thing you learned about the Bible during this series?

### MEMORY VERSE ACTIVITY:

**1 Corinthians 8:1b-3**

Pair the kids off and have them recite the verse to each other.

### SMALL GROUP GAME/ACTIVITY:

Give all the kids a Bible, and have "sword drills." Call out a verse in the Bible, and have the kids race to find that verse. The first kid to find the verse should stand up and read it aloud.

### DISCUSSION QUESTIONS:

**Read 2 Timothy 2:15**

Who wrote the Bible?

What is the overall message of the Bible?

Does everyone have a Bible they can read at home?

How can we ask Jesus into our hearts?

Does anyone want to ask Jesus to become their Savior today?

### SIMPLE PRAYER:

*Dear God,*

*Help us to learn and study your Word.*

*In Jesus' name,*

*Amen*

## POWERPOINT REVIEW GAME

### JEOPARDY

Answer these in the form of a question!

This is how many books there are in the Bible.

WHAT IS 66?

All scripture is \_\_\_\_\_ and useful for teaching.

WHAT IS GOD-BREATHED?

The Judges, the Kings, and the Prophets all appear in this half of the Bible.

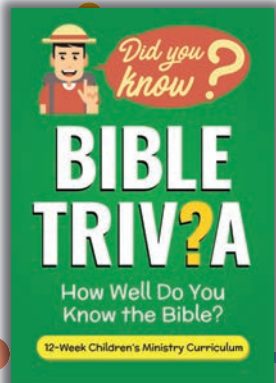
WHAT IS THE OLD TESTAMENT?

This is the Savior who changed the World in the Gospels.

WHO IS JESUS?

This institution was created by Jesus' followers, the Apostles, after he went back to Heaven. Those who belonged to the original had all their needs met by the other members.

WHAT IS THE CHURCH?



# MAKE IT STICK

5 Simple Ways You Can Make This Lesson Stick With your Kids

## Bible Trivia Lesson 12

### THIS WEEK'S LESSON: FINAL REVIEW



#### IN THE CAR:

Ask your child what they learned about this week on the drive home:

The Bible is God's Word. The more we study it, the better we will know God and his will for our lives. In this final lesson kids will review questions from all of the Bible trivia they have learned 2 Timothy 2:15, Teach the Word of God Correctly



#### HANGING OUT:

Make this week's lesson real:

Quiz your kids with some easy Bible trivia. Use the cards they've made as their take home activity during the series, and see how well they do?



#### AT DINNER:

Here are some great discussion starters:

- Why was the Bible written?
- What does the Bible teach us about God?
- Why is it important to read the Bible every day?



#### AT BEDTIME:

Quiz your child on this week's memory verse:

*"We know that 'We all have knowledge.' But knowledge makes people proud, while love builds them up. Those who think they know something still don't know as they should. But whoever loves God is known by God." 1 Corinthians 8:1b-3 (NIRV)*



#### PARENT TIME:

What you need to know:

The Bible was written to teach us about God and show us God's way to live. If you're not in a daily Bible habit, take this as a challenge to establish one, even as your children do. Pray that God will make your family one that stands on the Word of God.

## CRAFT ACTIVITY

Each week the kids will make a trivia card to take home. After 12 weeks, kids who come every week will have a 12 card trivia game to play at home.

This week, put the kids in small groups and help them brainstorm their own challenge questions to complete their trivia card set.

Here's some ideas if kids are struggling to come up with their own:

What is the first story in the Bible about?

Which judge was known for super strength?

Which king of Israel was a man after God's own heart?

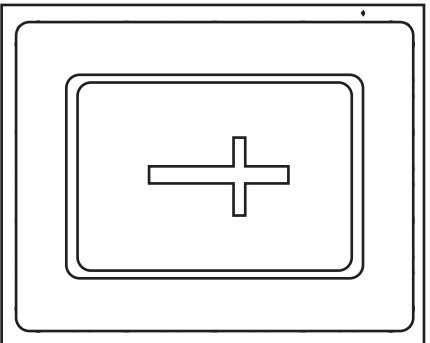
Which prophet spent some time in a fish?

Where was Jesus born?

How many disciples did Jesus have?

What name did Paul first have?

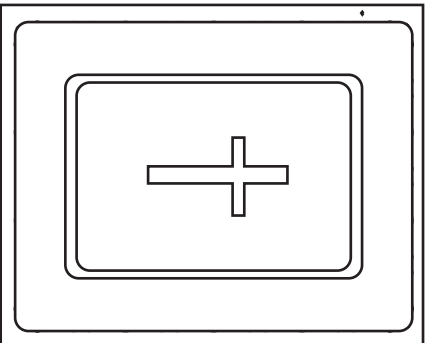
What is the last book of the Bible about?



"We know that "We all have knowledge." But knowledge makes people proud, while love builds them up. Those who think they know something still don't know as they should. But whoever loves

God is known by God."

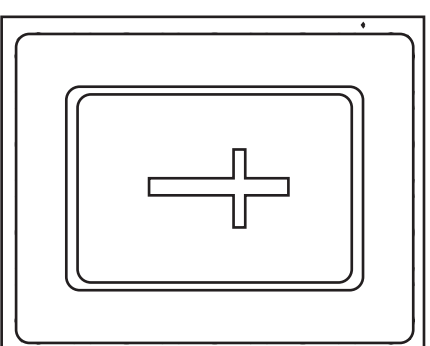
-1 Corinthians 8:1b-3 (NIRV)



"We know that "We all have knowledge." But knowledge makes people proud, while love builds them up. Those who think they know something still don't know as they should. But whoever loves

God is known by God."

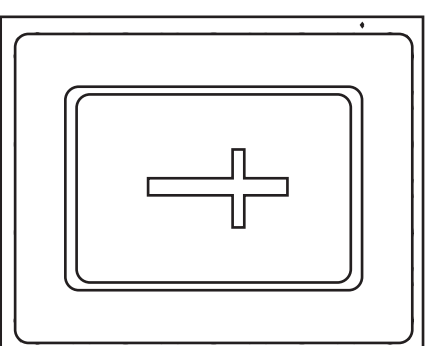
-1 Corinthians 8:1b-3 (NIRV)



"We know that "We all have knowledge." But knowledge makes people proud, while love builds them up. Those who think they know something still don't know as they should. But whoever loves

God is known by God."

-1 Corinthians 8:1b-3 (NIRV)



"We know that "We all have knowledge." But knowledge makes people proud, while love builds them up. Those who think they know something still don't know as they should. But whoever loves

God is known by God."

-1 Corinthians 8:1b-3 (NIRV)