

LESSON SNAPSHOT

BOTTOM LINE:

God is creating a New Heaven and New Earth that will never end.

OBJECTIVE:

Kids will learn what God has planned for all who believe in Jesus.

KEY PASSAGE:

Revelation 21:1-7, A New Heaven and a New Earth

MEMORY VERSE:

"We know that "We all have knowledge." But knowledge makes people proud, while love builds them up. Those who think they know something still don't know as they should. But whoever loves God is known by God." 1 Corinthians 8:1b-3 (NIRV)

SUMMARY:

The Bible gives us some clues as to how history will end and a new beginning with a new Heaven and new earth will come to pass. Kids will learn about Revelation and what Jesus has promised for those who accept him as their Savior.

SIMPLE PRAYER:

Dear God,

Thank you for the hope of eternal life you've given us.

*In Jesus' name,
Amen*

MEMORY VERSE

"We know that "We all possess knowledge." But knowledge puffs up while love builds up. Those who think they know something do not yet know as they ought to know. But whoever loves God is known by God." 1 Corinthians 8:1b-3 (NIV)

"We know that "We all have knowledge." But knowledge makes people proud, while love builds them up. Those who think they know something still don't know as they should. But whoever loves God is known by God." 1 Corinthians 8:1b-3 (NIRV)

LARGE GROUP:

Bring as many adult leaders up on stage as possible. Let the adults go first, reciting the memory verse from memory, then let the kids go. Who does the best job?

SMALL GROUP:

Put each word of the memory verse on a card. Have the kids rearrange the cards and put the words in order.

SKIT

THE ULTIMATE TRIVIA SHOW: ROUND ELEVEN

ITEMS NEEDED:

Three podiums for the host and contestants on a game show

CHARACTER BREAKDOWN:

2M, 1F

CHARACTERS:

Bob Sunshine - Game Show Host

Phil and Millie - Contestants

Game Show music plays as Bob drags himself back on stage. He's really looking bad now. Millie is on her phone.

BOB: Welcome back to The Ultimate Trivia Show, the Trivia Show that never, ever ends!! I'm Bob, and for now, I'm still the host of this train wreck. You know Phil and Millie, our millionaire contestants.

MILLIE: Oh, are we back? Sorry, I was just shopping for a new house.

BOB: Don't buy a new house just yet. The game isn't over! You could still lose.

PHIL: Sounds like someone's being a Negative Nancy.

BOB: Do I look like a Nancy to you?

PHIL: Well who do you wanna be, Negative Nigel?

BOB: Our category for this round is "the end." To win a point, tell me what happens at the end of this story. Ready?

MILLIE: I'm ready to get richer!

BOB: What happens at the end of the movie Despicable Me?

PHIL: I got it! They were all run over by a truck!

SKIT

BOB: No. Millie, care to guess?

MILLIE: The iceberg sinks, and there are no survivors.

BOB: Oh good, the old Phil and Millie have returned. Where were you last round when you could have lost money? Let's go on to the next question. What happens at the end of the book, *Diary of a Wimpy Kid*?

PHIL: The kid pumps iron and gets all big and buff so he's not wimpy any more?

BOB: No.

MILLIE: He gets the girl and they get married?

BOB: Seriously, people. You aggravate me. Next question, tell me what happens at the end of the movie *Inside Out*.

MILLIE: You find out it was all a dream, and the cat is actually in the shower.

BOB: No! That is so not even close to being correct!

PHIL: That's because the guy telling the story about the crime lord turns out to be the crime lord...

BOB: No.

PHIL: And as soon as he walks out of the police station, you realize who he is...

BOB: No, please, stop!

PHIL: And he gets in the car, and like that—

BOB: Stop!

PHIL: He's gone!

BOB: I could have been the voice of a Pokemon. Instead, I chose to become a game show host. If I knew then what I know now. Last question of the round: what happens at the end of the Bible in the book *Revelation*?

Phil and Millie look at each other blankly.

SKIT

BOB: No clue, huh? Very well, I'll up the stakes. If you get it right, you both win an extra million. Get it wrong, and you lose a million each, leaving you both with 100.

MILLIE: Oh! I remember! The old Earth passes away, and Jesus takes everyone who believes in Him to a New Heaven and Earth.

BOB: Me and my big mouth. Congratulations, you both win another million.

Phil and Millie jump up and down, celebrating.

BOB: We'll be back for the final round after this commercial. And after I write my resignation letter. See you soon.

OBJECT LESSON OR KIDS SERMON

ITEMS NEEDED:

A chapter book

Bring in a book like The Chronicles of Narnia, Lord of the Rings, Diary of a Wimpy Kid, etc. Ask how many kids have read the book. Then ask how many read the ending before they got there!

It's tempting to flip to the end of the book and spoil the ending, and that temptation doesn't end when you become adults. Plenty of grown-ups sneak a peek at the last page too, eager to end the suspense of whether or not their favorite character wins the day - or dies tragically.

God wants us all to be prepared for the "end" as well. That's why he had the Apostle John write the book of Revelation. Revelation is a prophecy about the end times. The world will come to an end, and Jesus will return to save his people. When he does, he will take us to a New Heaven where we will live forever with him.

It's comforting to know God is preparing such a wonderful place for us. Let's thank him for that blessing today.

LARGE GROUP GAME

BIBLE TRIVIA ROUND ELEVEN

ITEMS NEEDED:

Buzzers (if available)

INSTRUCTIONS:

Every week, the kids will be playing a quiz game, answering questions about the Bible, specifically answering questions about the lesson from the week before. Choose two players, and give them buzzers (if available) or have them raise their hands to answer. The kid who answers the most questions correctly wins.

Here are the questions for week eleven:

What was the Apostle Paul's original name?

SAUL

Whom did Saul see appear to him in a bright light?

JESUS

What man did God choose to visit Saul and give him his sight back?

ANANIAS

Where was Saul going when he saw Jesus?

DAMASCUS

What happened after Saul regained his eyesight?

HE BECAME A CHRISTIAN

Which of these books did Paul write: Acts, Revelation, or Romans?

ROMANS

Can God turn anyone into a true believer like Paul?

YES

LARGE GROUP LESSON

BOTTOM LINE:

God is creating a New Heaven and New Earth that will never end.

OBJECTIVE:

Kids will learn what God has planned for all who believe in Jesus.

KEY PASSAGE:

Revelation 21:1-7, A New Heaven and a New Earth

INTRO:

When you're making up trivia questions about movies and books, there are a lot of things you can use. You can ask questions about the actors who played certain characters - like Mark Hamill, who plays Luke Skywalker in the Star Wars movies. You can ask where a certain character comes from, like what planet Luke grew up on - the planet Tatooine. You can ask what ship Luke used to escape from Tatooine and set off on an adventure. That ship was the famous Millennium Falcon.

But there are some questions that, out of politeness, we can't or shouldn't ask. For example: who is Luke's father? What happens when Luke faces Darth Vader? And what happens at the end of Return of the Jedi? It's bad form to ask questions like these because there are people who haven't seen the movies. If you ask and answer questions about the ending, you could spoil it for someone, and that wouldn't be very kind.

You don't tell someone starting a book series how the series ends. It's better to experience things on your own, and let the story unfold. It's no fun to spoil the ending!

On the other hand, there are people who want to have the ending spoiled for them. There are people who flip to the last page of a book first and read it before they even start the first page. There are people who go on websites to see what happens at the end of a new movie they haven't seen. Some people even read and post spoilers for TV shows that haven't aired yet!

Why do we like to know the ending first? Sometimes we're just nosy. Sometimes we can't wait to find out what the ending will be.

LARGE GROUP LESSON

Some people want to avoid the unpleasantness of knowing something sad happens. And some people like to have peace of mind knowing what's coming at the end of the story.

This last reason is a good explanation for the last book of the Bible, the book of Revelation. Revelation is the end of the story. It's the end of OUR story, of the history of Earth itself. It tells us that Jesus will return. It tells us Jesus' people will face persecution. It tells us that there will be judgment and destruction for all who do not believe in Jesus. And then, it tells us something wonderful Jesus is doing for us.

READ REVELATION 21:1-7

MAIN POINT:

Most of Revelation is a bit on the frightening side. We read the prophecies about judgment, about persecution of Christians, about earthquakes and storms, about God ending the world as we know it. But all this sadness comes to an end when Jesus reveals the new Heaven and new Earth he is preparing for us.

God gave us Revelation so we would not be afraid of anything. No matter how bad it gets, it will get better. Gloriously better! Jesus is preparing a place for us, and if we believe in him, we will live forever in that paradise!

DRIVE IT HOME:

Revelation is a fitting end to the Bible. The story began with the Creation and the fall of man. The story changed when Jesus came to become our Savior. The story ends with Jesus saving us, taking us away from this world of sin, and placing us in a new world. There will be no tears, no sadness, no sickness, and no death in this new world. Heaven will be lit with the glory of God, and we will spend eternity worshipping him.

Revelation is also a new beginning. It's the start of a story that will never end. We will be reunited with Jesus, and we will live in the place he is preparing for us.

God wants us to know what is coming. He wants to spare us from judgment, and he wants to give us new life. New life can only be had if we believe in Jesus.

If you've never made the commitment to receive Jesus into your heart, do it today. Start a new adventure of your own, and you'll be prepared for whatever this life brings. Revelation may happen in our lifetime. It may happen hundreds of years from now. Whenever it does, you will be ready, and you will be saved.

God wants to give us all peace of mind about the future. He wants to give us Heaven. If you have questions about what it means to accept Jesus as your Savior and Lord, please talk to your parents or small group leader today!

LARGE GROUP LESSON

CLOSE WITH A SIMPLE PRAYER:

Dear God,

Thank you for the hope of eternal life you've given us.

In Jesus' name,

Amen

SMALL GROUP DISCUSSION (K-2ND)

ICEBREAKER:

How often do you read the end of a book before you get there?

MEMORY VERSE ACTIVITY:

1 Corinthians 8:1b-3

Put each word of the memory verse on a card. Have the kids rearrange the cards and put the words in order.

SMALL GROUP GAME/ACTIVITY:

Play a game of hot potato, passing a ball around the group. Who will be out when the music ends?

DISCUSSION QUESTIONS:

Read Revelation 21:1-7

Who wrote Revelation?

What is Revelation about?

What is John writing about in this passage?

Who will get to live in this New Heaven and Earth?

How can we get to live in Heaven with Jesus?

SIMPLE PRAYER:

Dear God,

Thank you for preparing a place for us in Heaven.

In Jesus' name,

Amen

SMALL GROUP DISCUSSION (3-5TH)

ICEBREAKER:

How often do you read the end of a book before you get there?

MEMORY VERSE ACTIVITY:

1 Corinthians 8:1b-3

Put each word of the memory verse on a card. Have the kids rearrange the cards and put the words in order.

SMALL GROUP GAME/ACTIVITY:

Play a game of hot potato, passing a ball around the group. Who will be out when the music ends?

DISCUSSION QUESTIONS:

Read Revelation 21:1-7

What is Revelation about?

What is John writing about in this passage?

How does John describe the new Heaven?

What does Jesus mean when he says he is the Alpha and Omega?

How can we know we will live forever in Heaven with Jesus?

SIMPLE PRAYER:

Dear God,

Thank you for preparing a place for us in Heaven.

In Jesus' name,

Amen

POWERPOINT REVIEW GAME

JEOPARDY

Answer these in the form of a question!

This is the last book of the Bible.

WHAT IS REVELATION?

Revelation is this kind of book, much like Isaiah and Jonah.

WHAT IS PROPHECY?

Revelation was written by this author.

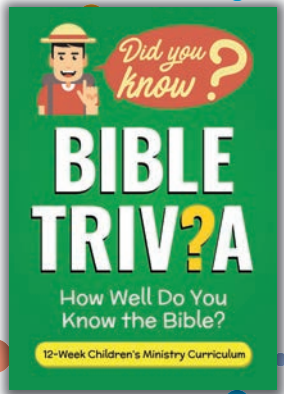
WHO IS JOHN?

Revelation tells us that God is preparing this for us.

WHAT IS A NEW HEAVEN AND EARTH?

This is how long God's children will live with him in this new paradise.

WHAT IS FOREVER?



MAKE IT STICK

5 Simple Ways You Can Make This Lesson Stick With your Kids

Bible Trivia Lesson 11

THIS WEEK'S LESSON: KNOWING HOW IT ENDS



IN THE CAR:

Ask your child what they learned about this week on the drive home:

The Bible gives us some clues as to how history will end and a new beginning with a New Heaven and a New Earth will come to pass. Kids will learn about Revelation and what Jesus has promised for those who accept him as their Savior. Revelation 21:1-7, A New Heaven and New Earth



HANGING OUT:

Make this week's lesson real:

Talk with your kids about your favorite movie endings. Would it have ruined the movie to know the end before you saw it? What does the end of the Bible tell us about our future?



AT DINNER:

Here are some great discussion starters:

- What is the book of Revelation about?
- What is God preparing for us for the end of times?
- How can we go to live in this New Heaven and New Earth?



AT BEDTIME:

Quiz your child on this week's memory verse:

"We know that 'We all have knowledge.' But knowledge makes people proud, while love builds them up. Those who think they know something still don't know as they should. But whoever loves God is known by God." 1 Corinthians 8:1b-3 (NIRV)



PARENT TIME:

What you need to know:

Revelation can be an intimidating and frightening book for believers at any age, especially kids, but it is meant to be a comfort for us. We know God holds the future, and we know it ends in paradise. Talk with your kids about what Revelation means, and talk with them about how they can give their heart to Jesus, if they are ready.

CRAFT ACTIVITY

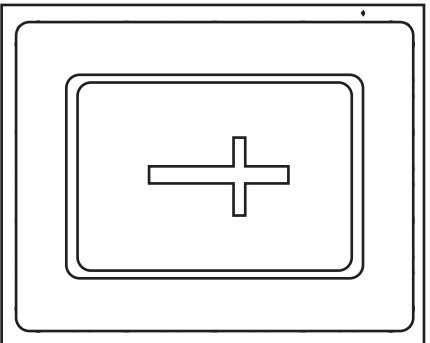
Each week the kids will make a trivia card to take home. After 12 weeks, kids who come every week will have a 12 card trivia game to play at home. Questions to put on this week's card can include:

What is the last book of the Bible?

Who wrote Revelation?

What is Revelation about?

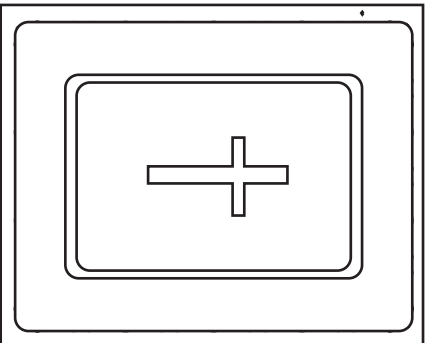
What is God making for everyone who believes in him?



"We know that "We all have knowledge." But knowledge makes people proud, while love builds them up. Those who think they know something still don't know as they should. But whoever loves

God is known by God."

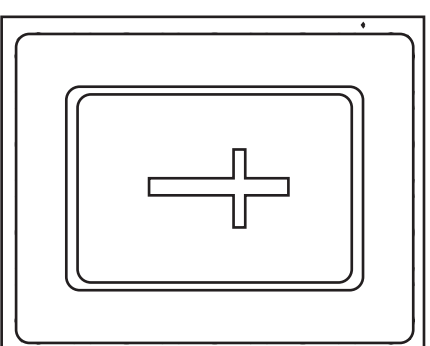
-1 Corinthians 8:1b-3 (NIRV)



"We know that "We all have knowledge." But knowledge makes people proud, while love builds them up. Those who think they know something still don't know as they should. But whoever loves

God is known by God."

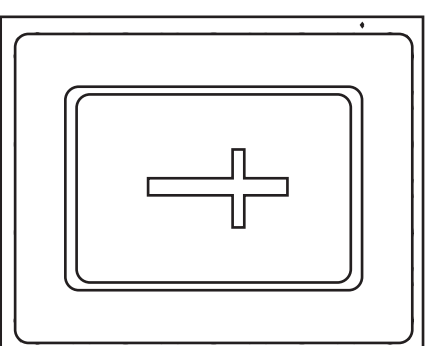
-1 Corinthians 8:1b-3 (NIRV)



"We know that "We all have knowledge." But knowledge makes people proud, while love builds them up. Those who think they know something still don't know as they should. But whoever loves

God is known by God."

-1 Corinthians 8:1b-3 (NIRV)



"We know that "We all have knowledge." But knowledge makes people proud, while love builds them up. Those who think they know something still don't know as they should. But whoever loves

God is known by God."

-1 Corinthians 8:1b-3 (NIRV)