

## LESSON SNAPSHOT

**BOTTOM LINE:**

God can use anyone he chooses to spread the gospel.

**OBJECTIVE:**

Kids will share how God turned Paul into a leader of the early church.

**KEY PASSAGE:**

Acts 9:1-19, Saul's Conversion to Paul

**MEMORY VERSE:**

*"We know that "We all have knowledge." But knowledge makes people proud, while love builds them up. Those who think they know something still don't know as they should. But whoever loves God is known by God." 1 Corinthians 8:1b-3 (NIRV)*

**SUMMARY:**

Sometimes the biggest heroes are the people who seem the least likely to do anything heroic. Such was the case with an enemy of the early Christians, Saul, who became the apostle Paul. Kids will learn about Paul's life and how he became a missionary for Jesus.

**SIMPLE PRAYER:**

*Dear God,*

*Thank you for the lessons we can learn from Paul.*

*In Jesus' name,*

*Amen*

## MEMORY VERSE

*“We know that “We all possess knowledge.” But knowledge puffs up while love builds up. Those who think they know something do not yet know as they ought to know. But whoever loves God is known by God.” 1 Corinthians 8:1b-3 (NIV)*

*“We know that “We all have knowledge.” But knowledge makes people proud, while love builds them up. Those who think they know something still don’t know as they should. But whoever loves God is known by God.” 1 Corinthians 8:1b-3 (NIRV)*

### **LARGE GROUP:**

As a group, see if the kids can recite the memory verse without seeing it on screen. Then put the verse on screen and read it once more together.

### **SMALL GROUP:**

Read the memory verse aloud for each kid. Each time you do, leave out one word. See if the kids can tell you what word you left out.

## SKIT

### THE ULTIMATE TRIVIA SHOW: ROUND TEN

#### ITEMS NEEDED:

Three podiums for the host and contestants on a game show

#### CHARACTER BREAKDOWN:

2M, 1F

#### CHARACTERS:

Bob Sunshine - Game Show Host

Phil and Millie - Contestants

*Game Show music plays as Bob drags himself back on stage. He's really looking bad now.*

BOB: Hey there folks. You know me. You know them. You know it's been a really bad day.

MILLIE: Not for me, it hasn't!

PHIL: I'm up a million and one hundred dollars, bro!

BOB: Fine, rub it in. But I'll be the one who gets the last laugh after round ten, where we play, Don't blow it!

PHIL: Don't blow it? Is this another new game?

BOB: In this round there are no points to win, but if you get a question wrong, you will lose a hundred grand per question. Are you ready?

MILLIE: I don't like the sound of this.

BOB: The category for this round is the apostle Paul. Sounds straight forward. Sounds like the perfect way to set things right, given your track record. Ready? Phil, what person in the Bible was persecuting the early Christians until he saw Jesus in a bright light?

# SKIT

PHIL: Hmmm. That's a tough one.

BOB: Yes, it is. Just make a guess and blow some dough.

PHIL: Was it Paul?

BOB: Did you say Paul?

PHIL: Yes. Maybe. I think so. Sure, let's say Paul.

BOB: Paul is correct. You lose nothing.

PHIL: All right!

BOB: Millie?

MILLIE: I'm ready, Bob!

BOB: Which person in the Bible was shipwrecked on his way to prison?

MILLIE: Ummmmm, Paul?

BOB: Yes, it is Paul.

MILLIE: Woo hoo! Go me! Go me! Go, go, go me!

BOB: Phil, who wrote the letters to the Romans, Corinthians, and Ephesians?

PHIL: Paul!

BOB: Millie, who was imprisoned with Silas the night God shook the walls of the prison?

MILLIE: Paul!

BOB: Phil, who was the former Pharisee that oversaw the death of Stephen but later died for Jesus himself?

PHIL: Paul!

BOB: Millie, who was—

MILLIE: Paul!

# SKIT

BOB: Phil, who said that—

PHIL: Paul!

BOB: Millie—

MILLIE: Paul!

BOB: *(drops his head and sighs)* I tried. I really tried. But it seems that our two competitors are still tied at a million and one hundred points each.

PHIL: That's awesome!

BOB: It's time for another commercial break. I'm going to go to my dressing room and sob loudly.

## OBJECT LESSON OR KIDS SERMON

### ITEMS NEEDED:

An old doll with ballpoint pen drawn on her face  
A tube of Clearasil

Do any of you have dolls at home that look like this? When a child draws on a doll with permanent marker, many people think that's the end of the doll. The pen won't come out with soap and water, or Windex, or any other household cleaner. That's it for the doll. It's ruined, right?

What if I was to tell you there's a way to get the ink off a doll like this? What if I told you the cure isn't in your cleaning cabinet, but in a teenager's medicine cabinet? It's Clearasil! Believe it or not, if you put Clearasil on a doll that has pen markings on it, and you set that doll out in direct sun for a few days, those pen marks will simply vanish!

Thanks to the Internet, people are learning all sorts of tricks for cleaning tough stains and fixing every day problems, just like this one. It's a lot like what God did with a man named Saul. Saul seemed to be the last person in the world you'd expect to become a Christian, much less a Christian preacher, but when Saul became Paul, he became the most important and influential Christian teacher in the early church!

God can use anyone with a willing heart to be a hero of the faith. A man like Saul. A kid like you. Let's thank God for his amazing work, and ask him to make us a part of his plan.

## LARGE GROUP GAME

### BIBLE TRIVIA ROUND TEN

#### ITEMS NEEDED:

Buzzers (if available)

#### INSTRUCTIONS:

Every week, the kids will be playing a quiz game, answering questions about the Bible, specifically answering questions about the lesson from the week before. Choose two players, and give them buzzers (if available) or have them raise their hands to answer. The kid who answers the most questions correctly wins.

#### Here are the questions for week ten:

The story of the early church is told in what book?

ACTS

Who wrote the book of Acts?

LUKE

Who were the leaders of the early church?

THE DISCIPLES/ APOSTLES

What did the early church believers share with each other?

EVERYTHING

What did they hold back from each other?

NOTHING

When the rich believers sold something, they brought the money and laid it where?

AT THE APOSTLES' FEET

All the believers were of one heart and \_\_\_\_\_.

MIND

## LARGE GROUP LESSON

### **BOTTOM LINE:**

God can use anyone he chooses to spread the gospel.

### **OBJECTIVE:**

Kids will share how God turned Paul into a leader of the early church.

### **KEY PASSAGE:**

Acts 9:1-19, Saul's Conversion to Paul

### **INTRO:**

Today we're going to start with a little hero trivia. I want to describe some unlikely heroes to you, and I want you to tell me who these heroes are. Are you ready?

This first hero was a rich kid. He had everything, and he lived in a big mansion. Then one day, he lost both of his parents. Driven by a desire for justice, the spoiled rich kid became a masked crusader, fighting for justice in the dark of night. Who is he?  
(Batman)

This next hero was a farmer boy living out in the desert. He wanted to get away from the farm, but his uncle wouldn't let him. Then one day a pair of robots arrived. His aunt and uncle were murdered by soldiers looking for the robots, and the boy set out on an adventure with the robots to rescue a princess. Who is he? (Luke Skywalker)

This hero always wanted to be a hero, but never thought he'd be able to. He was just a noodle cook in his dad's noodle shop. Then one day he heard that there would be a new hero chosen at the palace. He wanted to go watch, but his dad told him if he went, he would have to sell noodles while he was there. By a series of strange events he ends up being chosen to be the new hero. Who is he? (Po/Kung Fu Panda)

Some heroes don't start out looking heroic. Many of them were just ordinary kids (or bears), from Po to Luke Skywalker, even to Peter Parker, the boy who became Spider-Man. Then something extraordinary happened. A chance encounter, a gift of special powers, or a calling from their destiny. These ordinary kids became amazing heroes.

Today we're going to talk about a real life hero whose back story was even more unlikely than these.

# LARGE GROUP LESSON

This is the story of a man who hated Jesus and hated the early church. He was on a mission to destroy the church by arresting and punishing anyone who preached about Jesus. Then one day, the man had a face-to-face encounter with Jesus.

## **READ ACTS 9:1-9**

### **MAIN POINT:**

Saul hated the Christians. He described himself as a Pharisee of Pharisees, religious student and leader with no equal. He knew the scriptures of the Old Testament, including the prophecies about the Messiah, but he didn't think Jesus was the Messiah.

Saul would stop at nothing to bring Christians to justice and stop the spread of this new faith. But that was before Saul met Jesus himself. It was Jesus who called to him from the light. It was Jesus who sent him to a man named Ananias, who healed him and gave him back his sight. It was Jesus who led him to believers who would accept him, teach him, and help him to spread the gospel throughout the world.

Saul was an unlikely hero, a villain who turned to good. Saul shows us that anyone, no matter who they are or what they have done, can be a hero of the faith!

### **DRIVE IT HOME:**

Saul became known as Paul, and as Paul, he traveled the world preaching the Gospel. Paul was no longer trying to persecute Christians. Now he was the one being persecuted. But no matter what people said or did to try and stop Paul, he never gave up.

Paul performed miracles. Paul was chained up in a prison one night when God shook the walls and tore his chains away. Paul survived a shipwreck on board a prison ship. Paul stood trial before Caesar, ruler of the Roman Empire, and proclaimed the Gospel.

Paul's life truly shows us that anyone can become a hero of the faith. You may just be kids, but even as kids, you can make a difference in this world. God can use us to show our friends and classmates that Jesus loves them. He can use us to serve our church and our community. He can use us to lead people to Jesus.

Paul also shows us that we can't give up on anyone becoming a Christian. I'm sure all of you know at least one person who doesn't believe in God or just doesn't seem like the kind of person who could ever do good in their life! Guess what? God loves that person. He loves the bullies, the non-believers, everyone who was ever born. God can use us like he did Ananias to open their eyes so they too can be heroes of the faith.

# LARGE GROUP LESSON

Heroes come from unlikely places.

All it takes to become one is a heart that wants to obey God. Let's ask God to give us obedient hearts and use us to share the good news of Jesus, just like Paul.

## **CLOSE WITH A SIMPLE PRAYER:**

*Dear God,*

*Thank you for the lessons we can learn from Paul.*

*In Jesus' name,*

*Amen*

## SMALL GROUP DISCUSSION (K-2ND)

### ICEBREAKER:

What's your favorite unlikely hero story?

### MEMORY VERSE ACTIVITY:

**1 Corinthians 8:1b-3**

Read the memory verse aloud for each kid. Each time you do, leave out one word. See if the kids can tell you what word you left out.

### SMALL GROUP GAME/ACTIVITY:

Have the kids play a game of charades, acting out famous super heroes and other heroic characters.

### DISCUSSION QUESTIONS:

**Read Acts 9:1-19**

Who was Saul?

Why was Saul going to Damascus?

Who stopped Saul on the road to Damascus?

How did Saul/Paul become a hero of the faith?

How can we become heroes of the faith like Saul?

### SIMPLE PRAYER:

*Dear God,*

*Give us hearts that are willing to obey you, just like Paul.*

*In Jesus' name,*

*Amen*

## SMALL GROUP DISCUSSION (3-5TH)

### ICEBREAKER:

What's your favorite unlikely hero story?

### MEMORY VERSE ACTIVITY:

#### 1 Corinthians 8:1b-3

Read the memory verse aloud for each kid. Each time you do, leave out one word. See if the kids can tell you what word you left out.

### SMALL GROUP GAME/ACTIVITY:

Have the kids play a game of charades, acting out famous super heroes and other heroic characters.

### DISCUSSION QUESTIONS:

#### Read Acts 9:1-19

Why was Saul going to Damascus?

How did Jesus turn Saul's life around?

What are some of Paul's accomplishments as a hero of the faith?

How can we become heroes of the faith like Saul?

Is there someone you'd like to pray for, asking God to help them see the light and find Jesus?

### SIMPLE PRAYER:

*Dear God,*

*Give us hearts that are willing to obey you, just like Paul.*

*In Jesus' name,  
Amen*

## POWERPOINT REVIEW GAME

### JEOPARDY

Answer these in the form of a question!

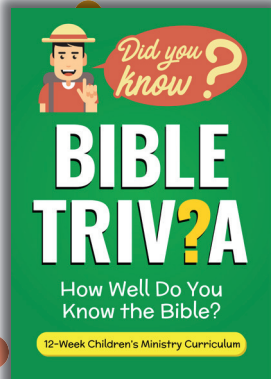
This man was given orders to hunt down and arrest the early Christians.  
WHO IS SAUL?

Saul was heading to this town when he saw a blinding light?  
WHAT IS DAMASCUS?

This man touched Saul's eyes and restored his sight.  
WHO IS ANANIAS?

After becoming a Christian, Saul changed his name to this.  
WHAT IS PAUL?

Paul wrote many letters to churches, letters we can find in this half of the Bible.  
WHAT IS THE NEW TESTAMENT?



# MAKE IT STICK

5 Simple Ways You Can Make This Lesson Stick With your Kids

## Bible Trivia Lesson 10

### THIS WEEK'S LESSON: MISSION POSSIBLE



#### IN THE CAR:

Ask your child what they learned about this week on the drive home:

Sometimes the biggest heroes are the people who seem the least likely to do anything heroic. Such was the case with an enemy of the early Christians, Saul, who became the apostle Paul. Today, we learned about Paul's life and how he became a missionary for Jesus. Acts 9:1-19, Saul's Conversion to Paul



#### HANGING OUT:

Make this week's lesson real:

Do something with the kids this week to show love to others, be it giving to a charity or doing yard work for a neighbor who needs help. Ask the kids what other loving things they can do to serve God and others?



#### AT DINNER:

Here are some great discussion starters:

- Who was Saul, and why was he persecuting Christians?
- How did Saul become Paul, the leader of the early church?
- Can God turn anyone he wants into a hero of the faith? Why or why not?



#### AT BEDTIME:

Quiz your child on this week's memory verse:

*"We know that **'We all have knowledge.'** But knowledge makes people proud, while love builds them up. Those who think they know something still don't know as they should. But whoever loves God is known by God." 1 Corinthians 8:1b-3 (NIRV)*



#### PARENT TIME:

What you need to know:

Paul's life shows us there's no one "type" that can be a leader or hero of the faith. Pray that your kids will have the heart and the passion to serve the Lord and do his good work.

## CRAFT ACTIVITY

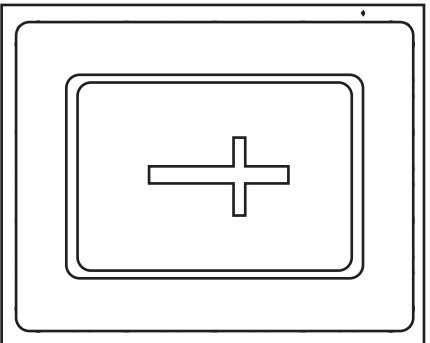
Each week the kids will make a trivia card to take home. After 12 weeks, kids who come every week will have a 12 card trivia game to play at home. Questions to put on this week's card can include:

Who was Saul? Where did Saul meet Jesus?

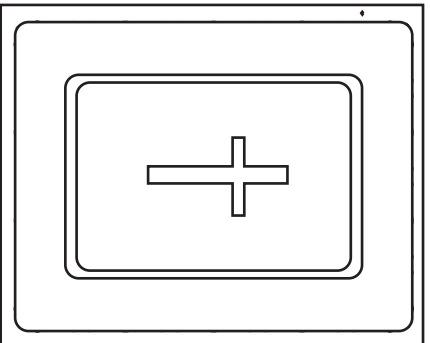
Whom did God use to give Saul back his sight?

What did Saul do after he became Paul?

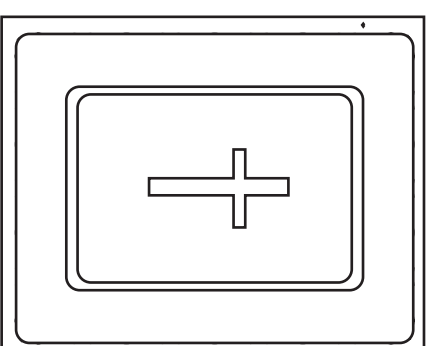
Name (at least) three books of the Bible that Paul wrote.



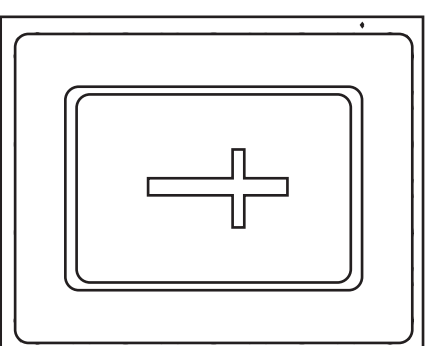
"We know that "We all have knowledge." But knowledge makes people proud, while love builds them up. Those who think they know something still don't know as they should. But whoever loves God is known by God."  
-1 Corinthians 8:1b-3 (NIRV)



"We know that "We all have knowledge." But knowledge makes people proud, while love builds them up. Those who think they know something still don't know as they should. But whoever loves God is known by God."  
-1 Corinthians 8:1b-3 (NIRV)



"We know that "We all have knowledge." But knowledge makes people proud, while love builds them up. Those who think they know something still don't know as they should. But whoever loves God is known by God."  
-1 Corinthians 8:1b-3 (NIRV)



"We know that "We all have knowledge." But knowledge makes people proud, while love builds them up. Those who think they know something still don't know as they should. But whoever loves God is known by God."  
-1 Corinthians 8:1b-3 (NIRV)