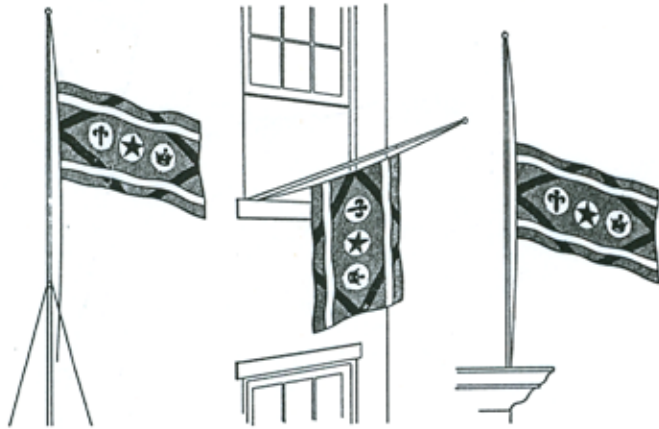


PROPER DISPLAY OF THE CHURCH FLAG AT FUNERALS



TO INDICATE THE DEATH OF A CHURCH MEMBER OR MINISTER:

The Church flag should be placed at half-staff or half-mast.

NOTE: This does not mean that it must necessarily be halfway of the staff or pole to be flown at half-mast. It simply means that it should not be flown at height but preferably at least one-third of the way down. In the above case the Church Flag should be raised briskly to the peak for a moment to signify victory at the end of the race, then lowered to its position at half-mast.



IF CARRIED IN A FUNERAL PROCESSION of a Church member:

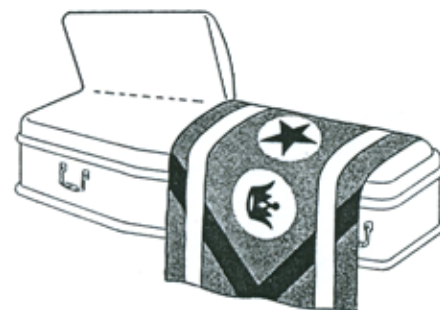
The Church Flag should be carried at top mast waving briskly to signify victory at the end of the Christian race.

NOTE: The same position may be used in other funeral processions to signify that the Church performed its duty.

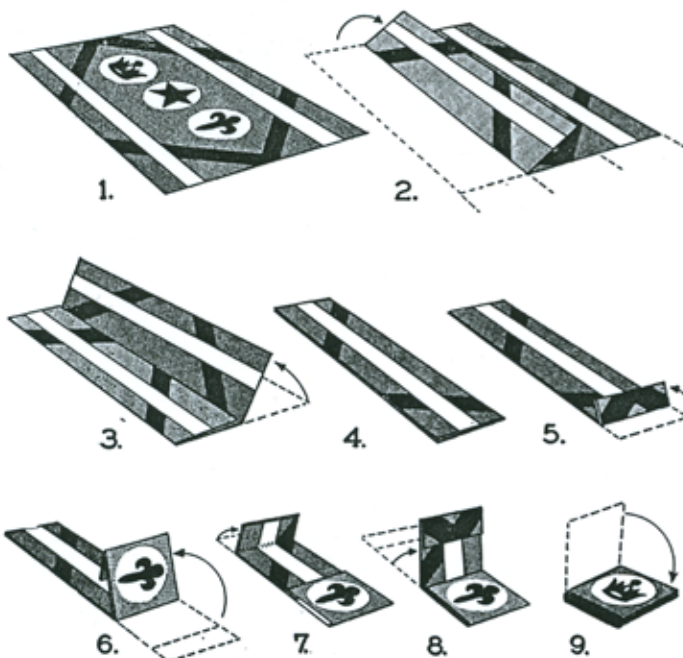


WHEN THE CHURCH FLAG IS USED TO DRAPE A CASKET:

The scepter should be placed at the head of the casket with the top of the scepter pointing to the left side of the deceased.



NOTE: When the lid of the casket is raised to permit the remains of the body to be viewed by the audience the Church Flag should be removed and draped vertically across the unopened part of the casket with the crown at bottom on the deceased one's right, facing congregation. This permits the entire flag to be viewed by the audience.



If the FLAG DRAPPING A CASKET IS PRESENTED to a close relative:

It should be folded in such a way that the crown in the circle of white is on top with very little of the red showing. The one presenting the flag should pay ceremonious respect to the recipient in memory of the deceased.

WHEN USED AT THE GRAVE:

The Church Flag should not be lowered into the grave but if on a staff should be placed on the mound after the grave is filled.