

# HAMAN'S ANGER AT MORDECAI

## (ESTHER 5:1-14)

### MEMORY VERSE:

"He who troubles his own house will inherit the wind, and the fool will be the servant to the wise of heart." PROVERBS 11:29

### FILL IN THE BLANKS:

1. "Now it happened on the third day that Esther put on her \_\_\_\_\_ robes and stood in the inner court of the king's palace, across from the king's house, while the king sat on his \_\_\_\_\_ throne in the \_\_\_\_\_ house, facing the entrance of the house." **ESTHER 5:1**

### TRUE OR FALSE:

2. "So it was, when the king saw Queen Esther standing in the court, that she found favor in his sight, and the king held out to Esther the golden scepter that was in his hand." **ESTHER 5:2**  
**TRUE OR FALSE**
3. Esther said, "If I have found favor in the sight of the king, and if it pleases the king to grant my petition and fulfill my request, then let the king and Haman come to the banquet which I will prepare for them, and tomorrow I will do as the king has said." **ESTHER 5:8**  
**TRUE OR FALSE**
4. "So Haman went out that day joyful and with a glad heart; but when Haman saw Mordecai in the king's gate, and that he did not stand or tremble before him, he was filled with indignation against Mordecai." **ESTHER 5:9**  
**TRUE OR FALSE**

### UNDERLINE ALL OF THE CORRECT ANSWERS:

5. "Nevertheless Haman..." **ESTHER 5:10-11**
- |  |                    |
|--|--------------------|
| * restrained himself and went home                                     | <b>ESTHER 5:10</b> |
| * sent and called for his friends                                      | <b>ESTHER 5:10</b> |
| * and his wife Mudpie  | <b>ESTHER 5:10</b> |
| * told of his great riches   | <b>ESTHER 5:11</b> |
| * the multitude of his chickens  | <b>ESTHER 5:11</b> |
| * all the ways which the king had promoted him                         | <b>ESTHER 5:11</b> |
| * how he had advanced him above the officials and servants of the king | <b>ESTHER 5:11</b> |

### TRUE OR FALSE:

6. "Moreover Haman said, 'Besides, Queen Esther invited no one but me to come in with the king to the banquet that she prepared; and tomorrow I am again invited by her, along with the king.'" **ESTHER 5:12**  
**TRUE OR FALSE**

### CIRCLE THE CORRECT WORDS:

7. "Yet all this avails me (**NOTHING, EVERYTHING**), so long as I see Mordecai the Jew sitting at the king's gate." **ESTHER 5:13**
8. "Then his wife (**MUDPIE, ZERESH**) and all his (**ENEMIES, FRIENDS**) said to him, 'Let a gallows be made, fifty cubits high, and in the morning suggest to the king that Mordecai be hanged on it; then go merrily with the king to the banquet.' And the thing (**PLEASED, DISPLEASED**) Haman; so he had the gallows made." **ESTHER 5:14**

# HAMAN'S ANGER AT MORDECAI

## (ESTHER 5:1-14)

### MEMORY VERSE:

"He who troubles his own house will inherit the wind, and the fool will be the servant to the wise of heart." PROVERBS 11:29

### FILL IN THE BLANKS:

1. "Now it happened on the third day that Esther put on her \_\_\_\_\_ robes and stood in the inner court of the king's palace, across from the king's house, while the king sat on his \_\_\_\_\_ throne in the \_\_\_\_\_ house, facing the entrance of the house." **ESTHER 5:1**
2. "So it was, when the king saw Queen Esther standing in the court, that she found \_\_\_\_\_ in his sight, and the king held out to Esther the \_\_\_\_\_ that was in his hand." **ESTHER 5:2**
3. Esther said, "If I have found favor in the sight of the king, and if it pleases the king to grant my petition and fulfill my request, then let the king and Haman come to the \_\_\_\_\_ which I will prepare for them, and tomorrow I will do as the king has said." **ESTHER 5:8**

### TRUE OR FALSE:

4. "So Haman went out that day joyful and with a glad heart; but when Haman saw Mordecai in the king's gate, and that he did not stand or tremble before him, he was filled with indignation against Mordecai." **ESTHER 5:9**

TRUE OR FALSE

### UNDERLINE ALL OF THE CORRECT ANSWERS:

5. "Nevertheless Haman..." **ESTHER 5:10-11**
  - \* restrained himself and went home **ESTHER 5:10**
  - \* sent and called for his friends **ESTHER 5:10**
  - \* and his wife Mudpie **ESTHER 5:10**
  - \* told of his great riches **ESTHER 5:11**
  - \* the multitude of his chickens **ESTHER 5:11**
  - \* all the ways which the king had promoted him **ESTHER 5:11**
  - \* how he had advanced him above the officials and servants of the king **ESTHER 5:11**

### TRUE OR FALSE:

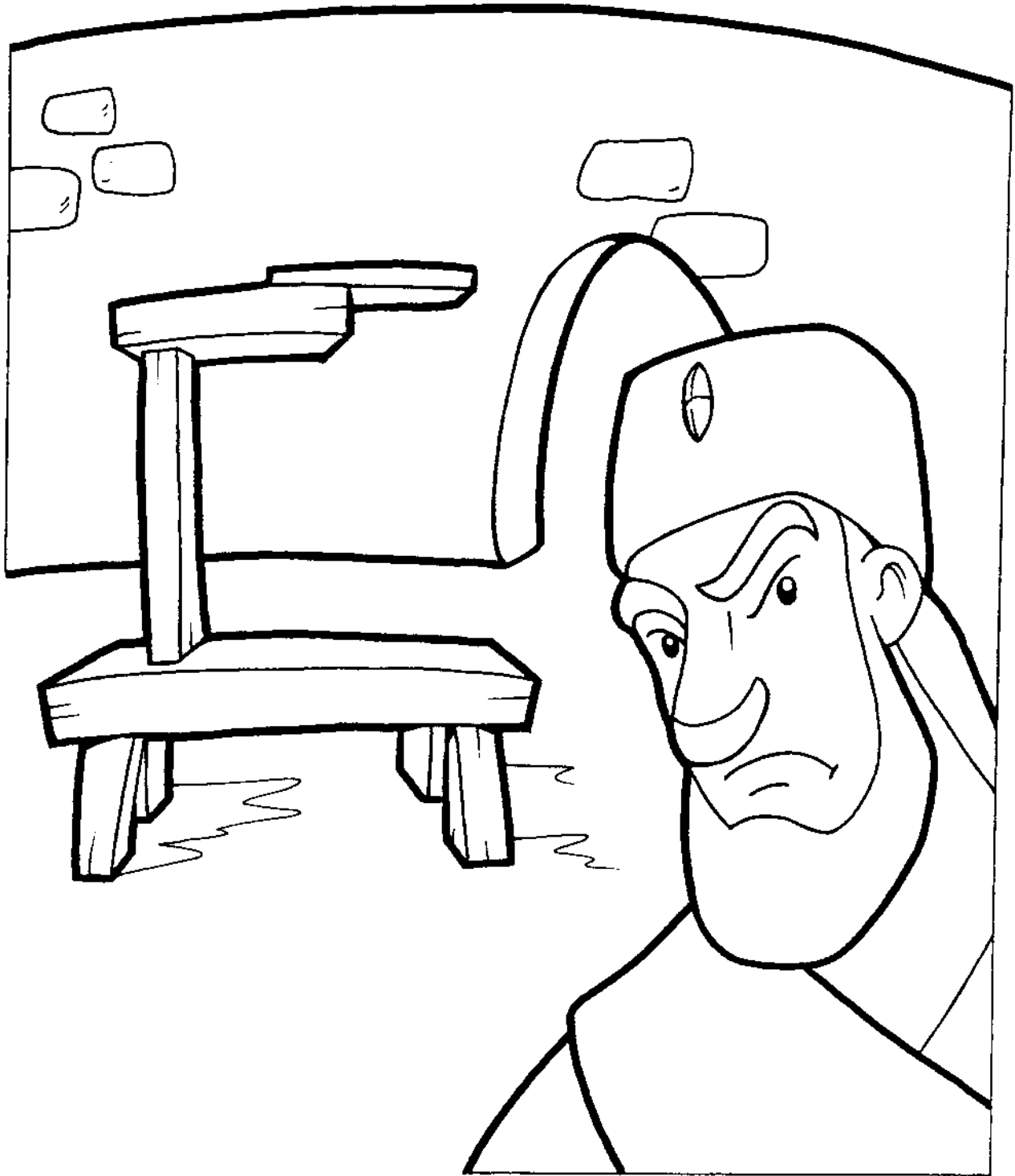
6. "Moreover Haman said, 'Besides, Queen Esther invited no one but me to come in with the king to the banquet that she prepared; and tomorrow I am again invited by her, along with the king.'" **ESTHER 5:12**

TRUE OR FALSE

### FILL IN THE BLANKS:

7. "Yet all this avails me \_\_\_\_\_, so long as I see Mordecai the Jew sitting at the king's gate." **ESTHER 5:13**
8. "Then his wife \_\_\_\_\_ and all his \_\_\_\_\_ said to him, 'Let a gallows be made, fifty cubits high, and in the morning suggest to the king that Mordecai be hanged on it; then go merrily with the king to the banquet.' And the thing pleased Haman; so he had the \_\_\_\_\_ made." **ESTHER 5:14**

# HAMAN'S ANGER AT MORDECAI (ESTHER 5:1-14)



"Then said Zeresh his wife and all his friends unto him, Let a gallows be made of fifty cubits high, and to morrow speak thou unto the king that Mordecai may be hanged thereon: then go thou in merrily with the king unto the banquet. And the thing pleased Haman; and he caused the gallows to be made."

**ESTHER 5:14**

# HAMAN'S ANGER AT MORDECAI

## (ESTHER 5:1-14)

O X B O I I F R L B M K A I X  
 A R O V A F O H J J J M U S I  
 P S H T S Y O X G H H A M A N  
 A E J E A B E M O R D E C A I  
 Z J B L H R P V L T Q L V G Z  
 E O Y W J W K S D E N O R H T  
 R R E Q U E S T E J T U A J F  
 E M K N D G J U N Y R G E P Z  
 S G P O U T F R S R A C S Z T  
 H O G I O K Y E C D E V W F E  
 D V K T L W S H E C H U O B U  
 Y S G I O T T U P G L B L L Q  
 S P P T H I W Q T S J N L K N  
 M T S E U U U T E Q T H A M A  
 U W R P I M G P R U W X G Z B

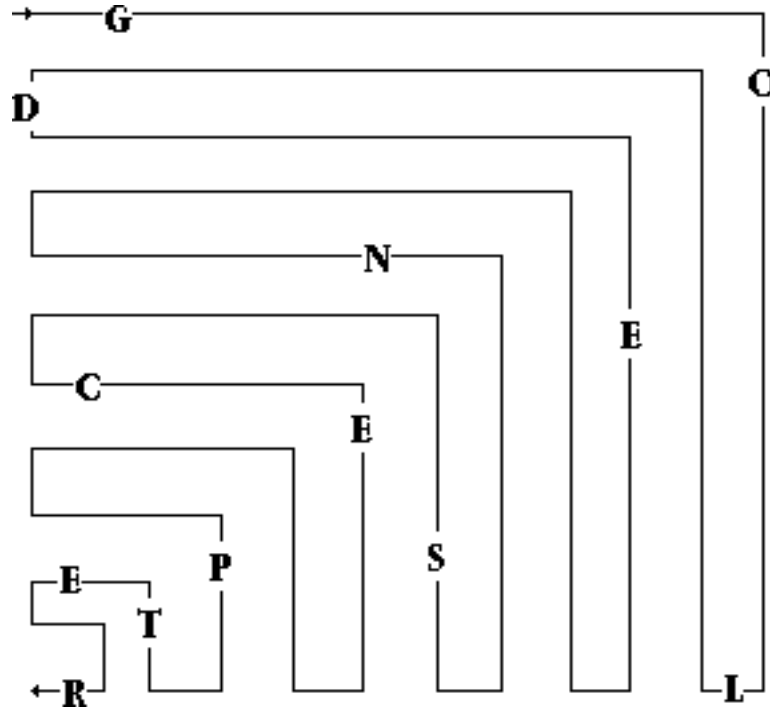
BANQUET  
 ESTHER  
 FAVOR  
 GALLOWS

GOLDEN SCEPTER  
 HAMAN  
 HEART  
 MORDECAI

PETITION  
 REQUEST  
 ROBES

ROYAL  
 THRONE  
 ZERESH

FOLLOW THE LINE AND WRITE DOWN THE LETTERS AS YOU COME TO THEM



# HAMAN'S ANGER AT MORDECAI

## (ESTHER 5:1-14)

T Z D K E P Y M J U G U L Z J V E E Q D  
 B T S E U Q E R H F Z K B Y C M W P K J  
 I U E K J I Y X G I J F T Y V F E T L I  
 A A P Q Z Q O S E T P R L E T S B C W P  
 M H E A R T F V U G N I A O U W K S K T  
 X N N O I T I T E P U E C J W Q S C I V  
 T M Z J Z D V O W Y O N W F H U N H J R  
 Y G C B K J X J D P F D J A A D U A S F  
 L F C B C Q S J I Y L S U H M S H U B E  
 Z H Q R T R V A W B L C K A A J P E U J  
 E A I B I I C E Y D M U O H N H E C E O  
 R R E T P E C S N E D L O G H S V E A U  
 E W W K D R O V A F S M I Z P W N N V G  
 S N R R O L M A P R Z D T Y J O A Q D F  
 H P O E T S A W Z C F L E N R L R L Q P  
 I M B F A T Z L W G P S J H H L L K E D  
 Q U E E N E S T H E R V T J Q A W D N B  
 O E S J N F S Z B R G R K T O G J D R K  
 V S L A Y O R N M G R C N P A Q U O Y K  
 Q G Z T R A H P W N B M P L W O O K Y A

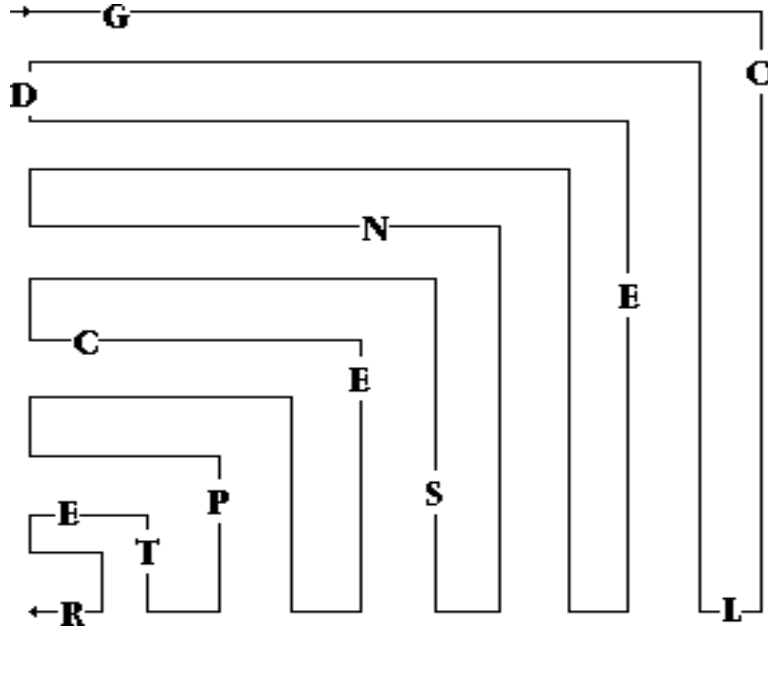
BANQUET  
 FAVOR  
 FRIENDS  
 GALLOWS

GOLDEN SCEPTER  
 HAMAN  
 HEART  
 MORDECAI

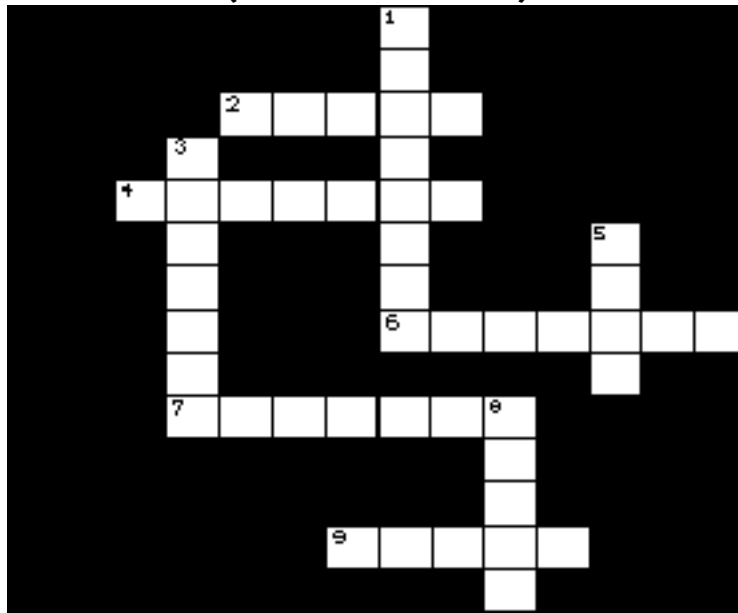
PETITION  
 QUEEN ESTHER  
 REQUEST  
 ROBES

ROYAL  
 THRONE  
 ZERESH

FOLLOW THE LINE AND WRITE DOWN THE LETTERS AS YOU COME TO THEM



# HAMAN'S ANGER AT MORDECAI (ESTHER 5:1-14)



- 2 ACROSS "He who troubles his own house will inherit the wind, and the fool will be the servant to the wise of \_\_\_\_." **PROVERBS 11:29**
- 8 DOWN "Now it happened on the third day that Esther put on her \_\_\_\_ robes and stood in the inner court of the king's palace, across from the king's house, while the king sat on his royal throne in the royal house, facing the entrance of the house." **ESTHER 5:1**
- 7 ACROSS "So it was, when the king saw Queen Esther standing in the court, that she found favor in his sight, and the king held out to Esther the golden \_\_\_\_ that was in his hand." **ESTHER 5:2**
- 4 ACROSS Esther said, "If I have found favor in the sight of the king, and if it pleases the king to grant my petition and fulfill my request, then let the king and Haman come to the \_\_\_\_ which I will prepare for them, and tomorrow I will do as the king has said." **ESTHER 5:8**
- 1 DOWN "So Haman went out that day joyful and with a glad heart; but when Haman saw \_\_\_\_ in the king's gate, and that he did not stand or tremble before him, he was filled with indignation against Mordecai." **ESTHER 5:9**
- 9 ACROSS "Nevertheless \_\_\_\_ restrained himself and went home, sent and called for his friends and his wife Zeresh." **ESTHER 5:10**
- 6 ACROSS "Moreover Haman said, 'Besides, Queen Esther invited no one but me to come in with the king to the banquet that she prepared; and tomorrow I am again \_\_\_\_ by her, along with the king.'" **ESTHER 5:12**
- 5 DOWN "Yet all this avails me nothing, so long as I see Mordecai the Jew sitting at the king's \_\_\_\_." **ESTHER 5:13**
- 3 DOWN "Then his wife Zeresh and all his friends said to him, 'Let a gallows be made, fifty cubits high, and in the morning suggest to the king that Mordecai be hanged on it; then go merrily with the king to the banquet.' And the thing pleased Haman; so he had the \_\_\_\_ made." **ESTHER 5:14**