

Jesus said, "You cannot serve both God and money."

Follow the numbers through the maze to choose God. Trace the letters.

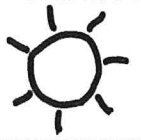


1	2	\$	¢	¢	¢
\$	3	4	\$	\$	¢
¢	\$	5	6	7	8
\$	\$	\$	\$	\$	9
¢	¢	\$	¢	\$	10



Choose
God

Children's Worship Bulletin™



Ages 3+

October 25, 2020 • Luke 16:1-13

The Parable of the Shrewd Manager

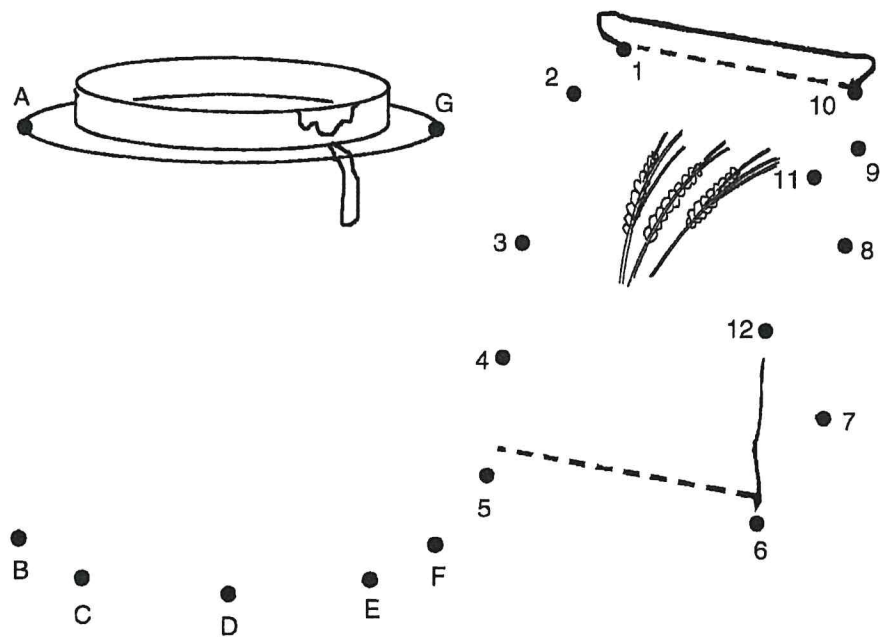
Jesus told a story about a manager who wasted his master's money.

Find these objects in the picture.



The manager knew he would need friends to help him after he lost his job. So he told people they could pay less than what they actually owed his master.

Connect the dots.
 ABCDEFG 1 2 3 4 5 6 7 8 9 10 11 12



The manager was not ...

Match the letters below.

U	T
O	R
R	U
R	S
S	T
T	W
T	O
H	R
Y	T
W	H
	Y

Dotted lines connect the letters in the left column to the letters in the right column: U to R, O to T, R to U, R to S, S to T, T to W, T to O, H to R, Y to T, and W to H.