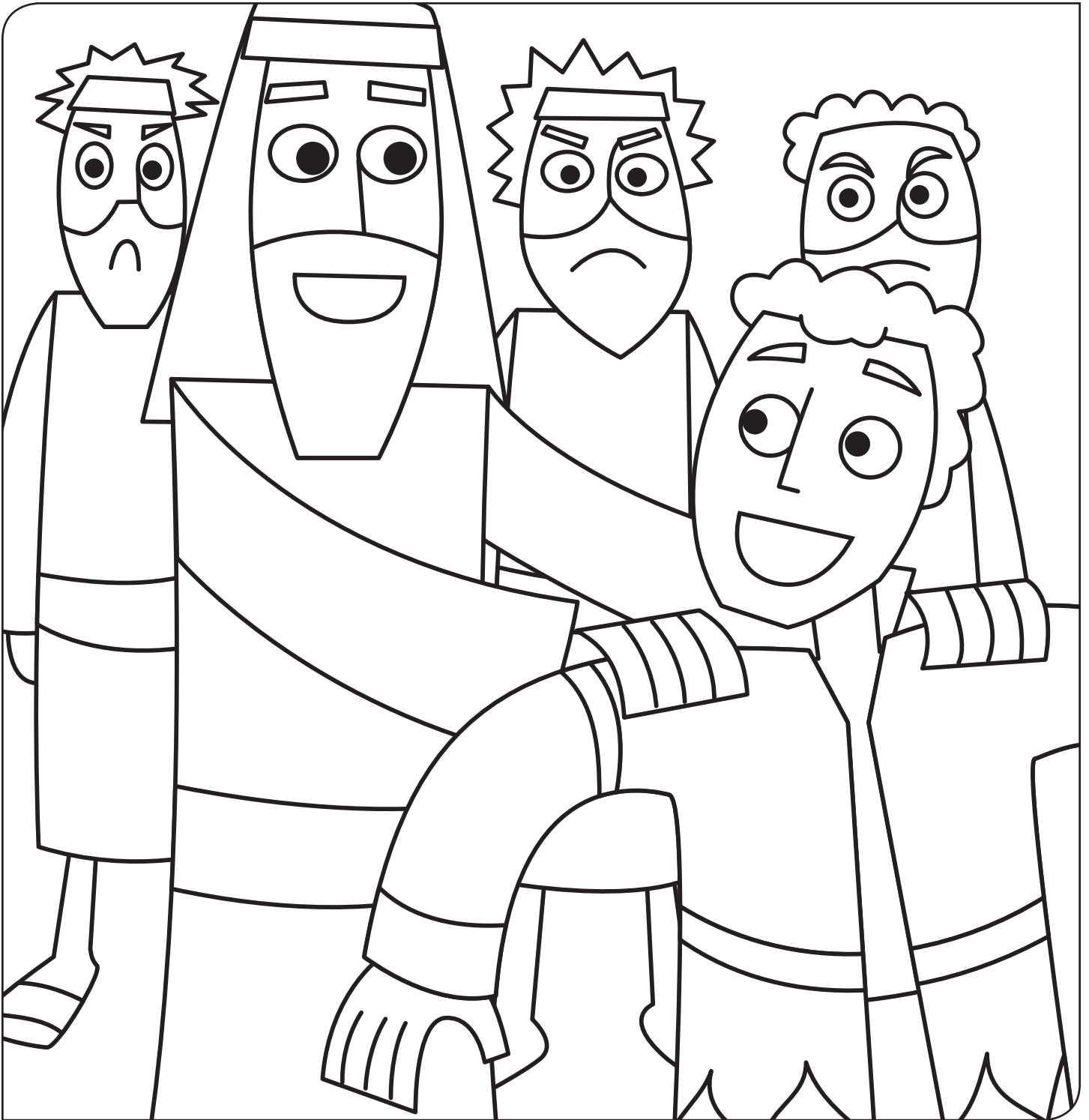


# Joseph and His Brothers



Joseph knew what his dreams meant. What do you dream about?

# Joseph and His Brothers



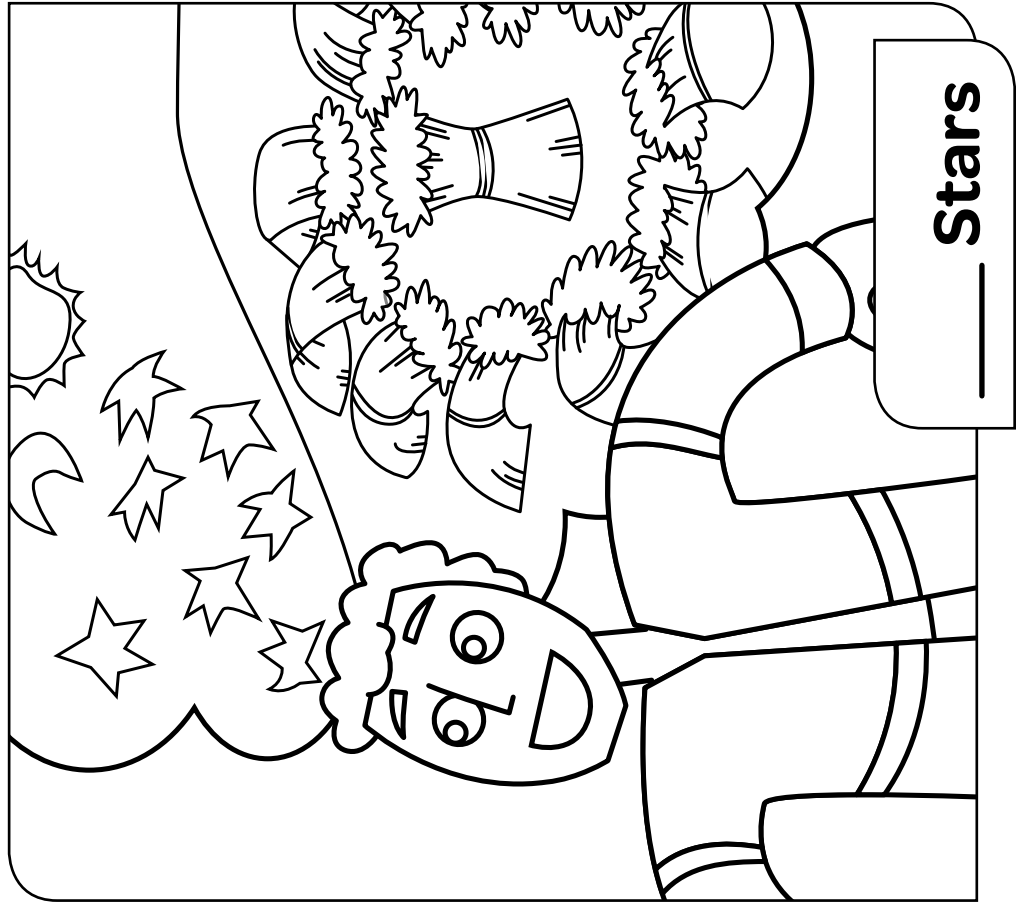
Pre-Reader

**TODAY'S THEME IS DREAMS.**



**One way God speaks to us is through dreams.**

Count the stars.



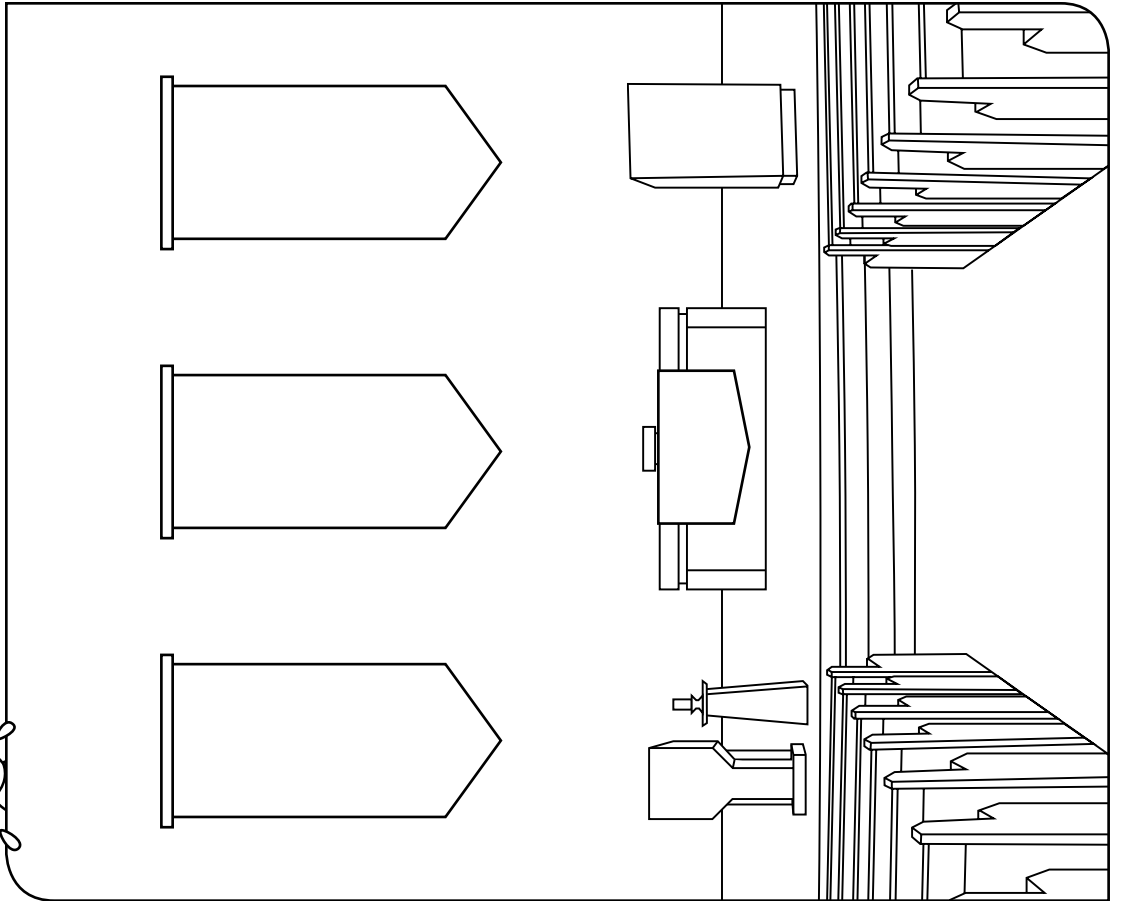
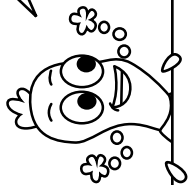
Fold here

Whirl! Year Gold Fall Director Guide. [wearesparkhouse.org](http://wearesparkhouse.org). © 2016 sparkhouse. All rights reserved. May be reproduced for local use only provided each copy carries this notice.

Fold here

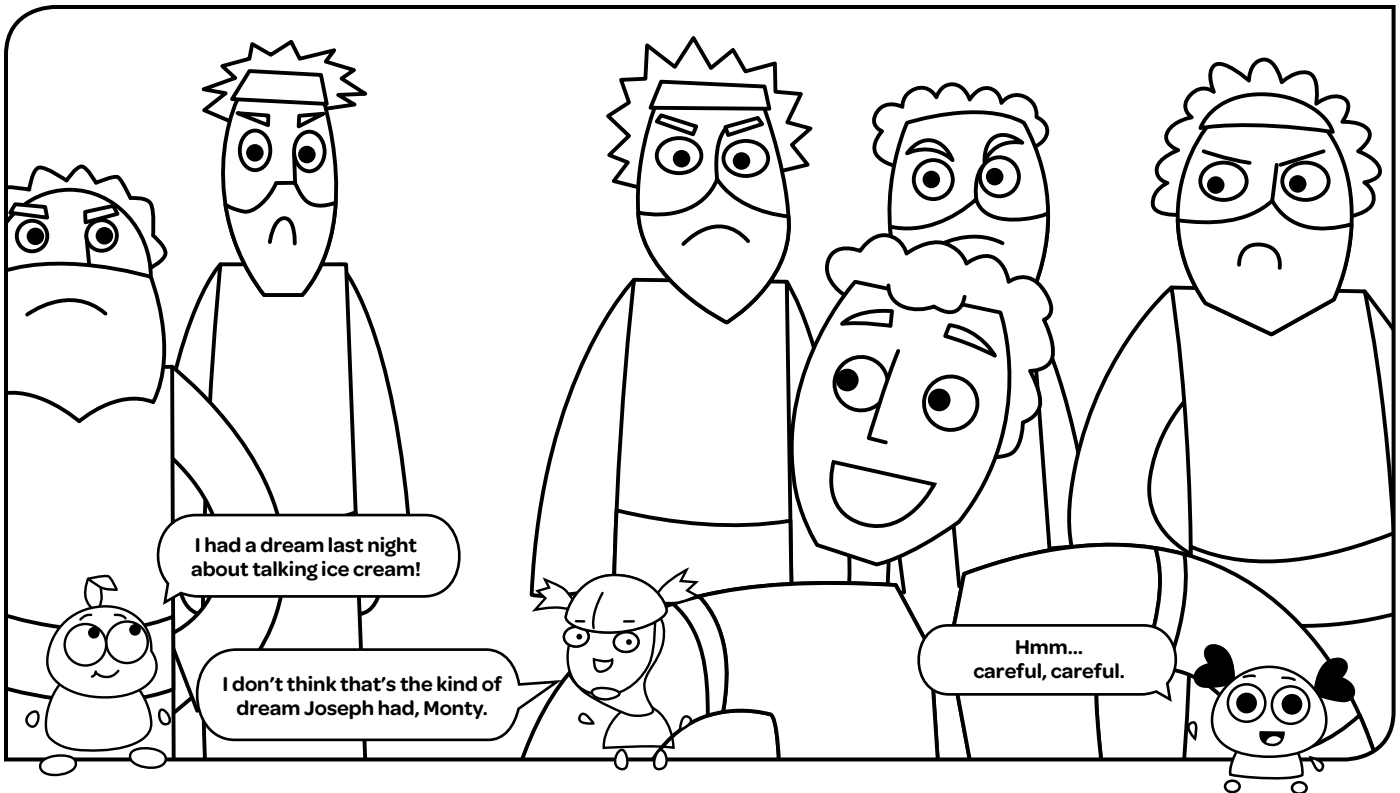
Do you see any symbols that remind you of dreams in church?  
Draw them below.

Stars make me think of dreams.



**In one dream, Joseph was a bundle of wheat. His brothers were bundles, too, and they all bowed down to him (Genesis 37:1-28).**

Dreams help us connect with God. Connect the dots to see part of Joseph's dream. Then color Joseph's grumpy brothers.



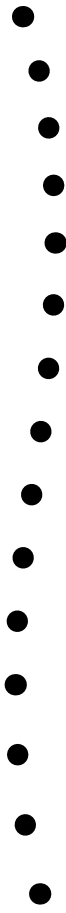
Today our church family prays for...

# Joseph and His Brothers



Reader

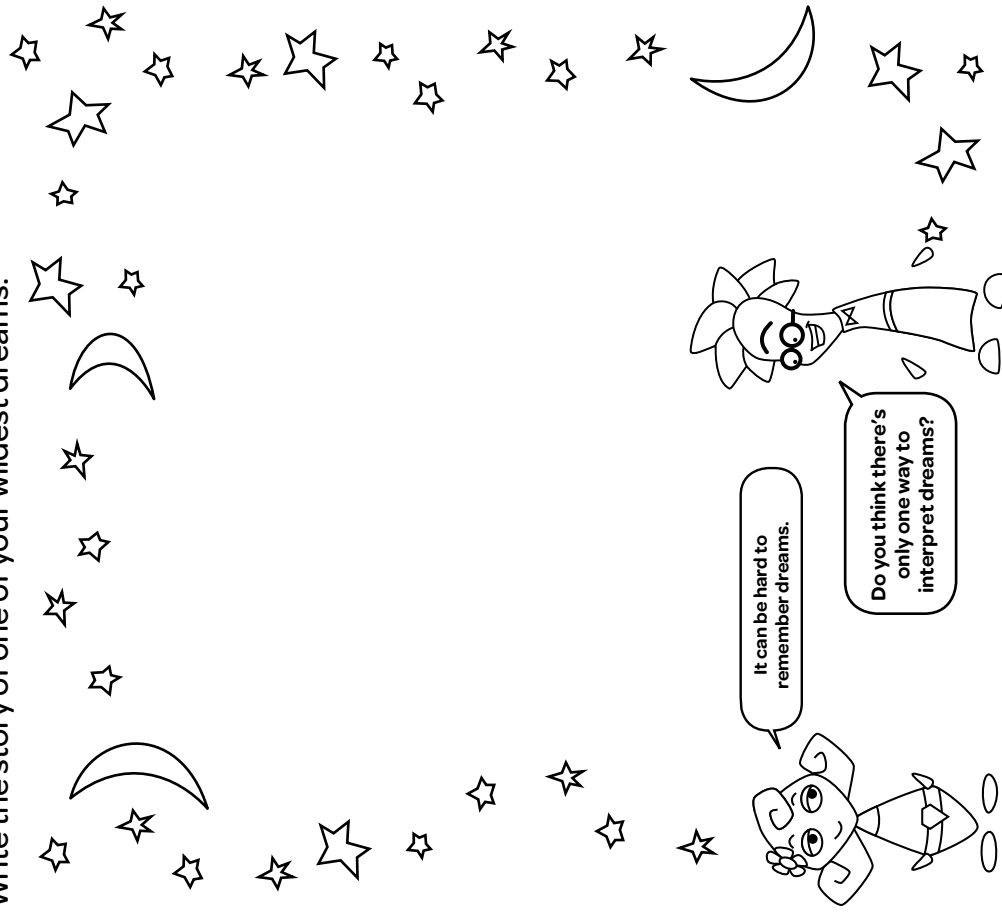
**TODAY'S THEME IS DREAMS.**



## Joseph had many dreams.

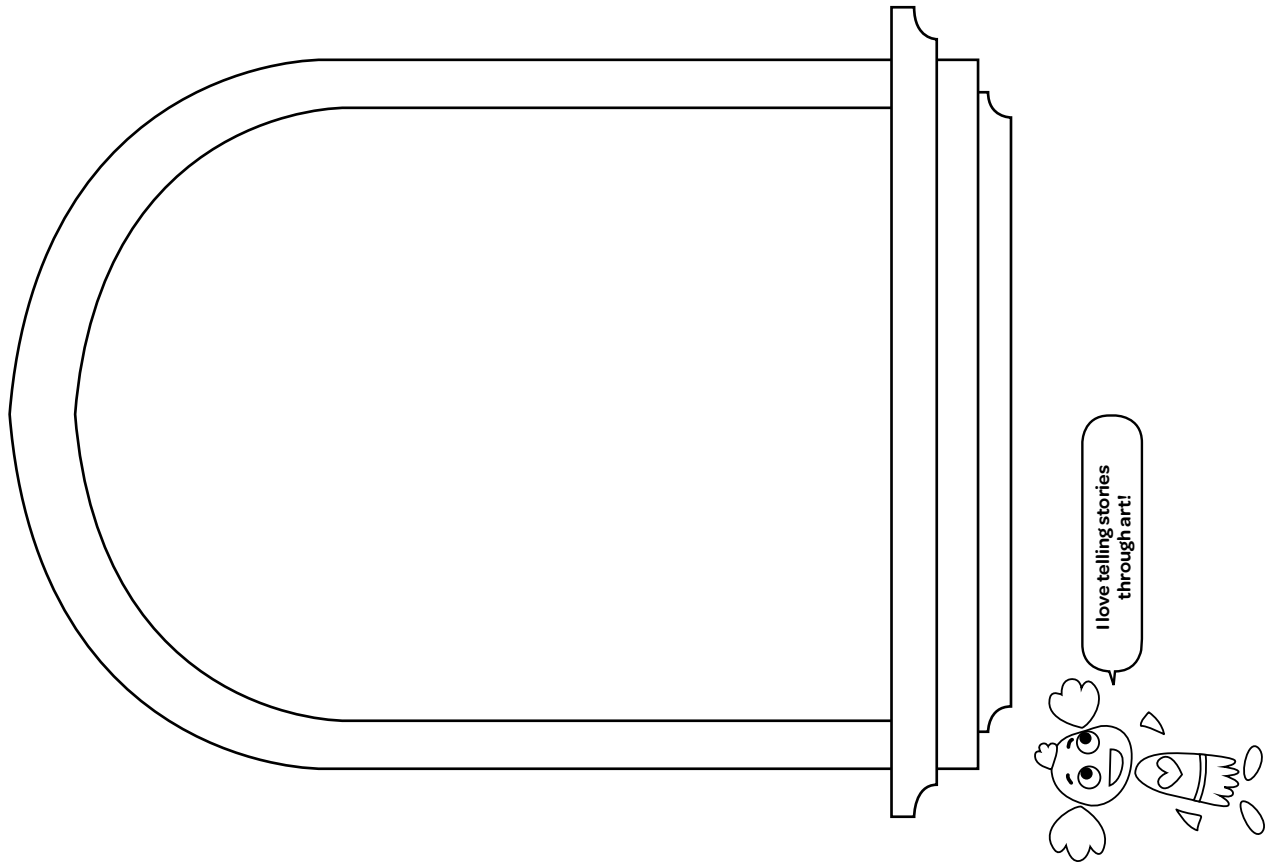
What do you dream about? Do you remember your dreams?

Write the story of one of your wildest dreams.



## Stained glass windows are one way to tell stories.

Draw the story of Joseph and his brothers as a stained glass window.



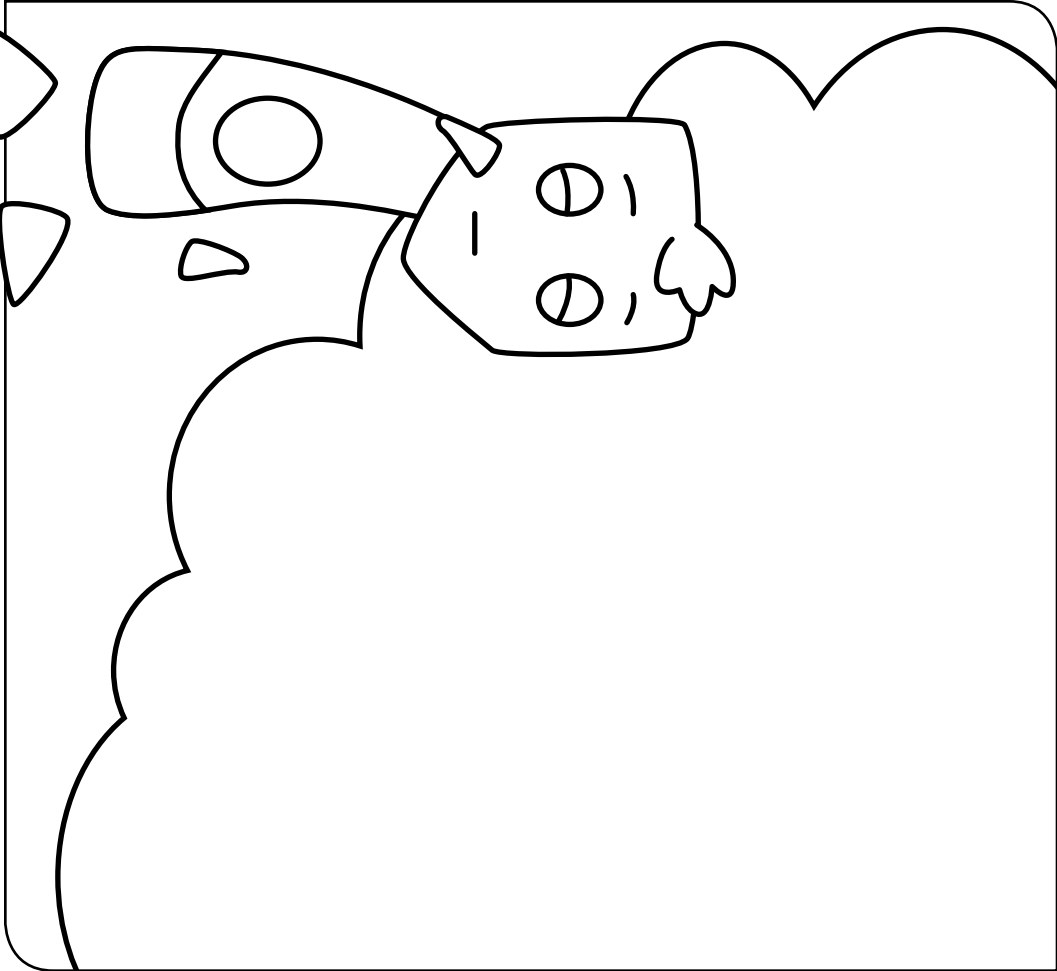
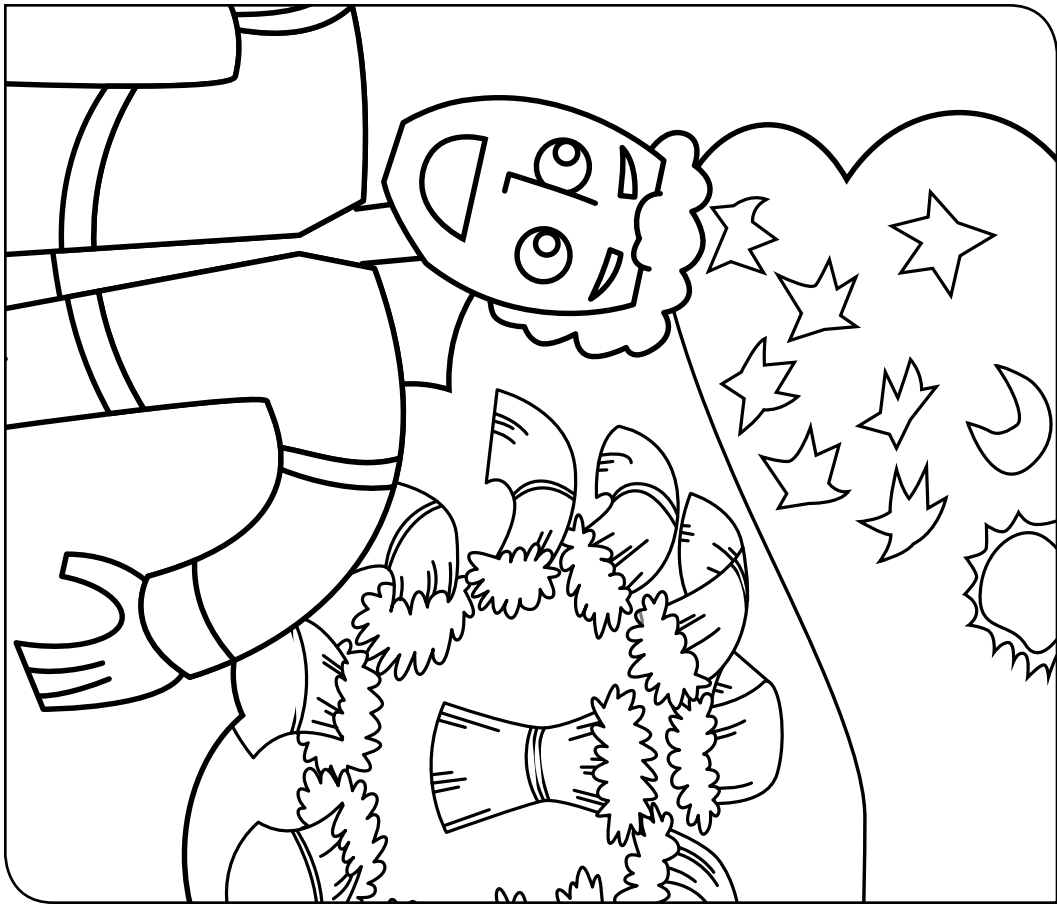
Fold here

Whirl Year Gold Fall Director Guide. [wearesparkhouse.org](http://wearesparkhouse.org). © 2016 sparkhouse. All rights reserved. May be reproduced for local use only provided each copy carries this notice.

Fold here

***Dreams are one way God speaks to us.***

Joseph dreamed about the sky and about wheat. What is Gabe dreaming about? Draw it.



Today our church family prays for...