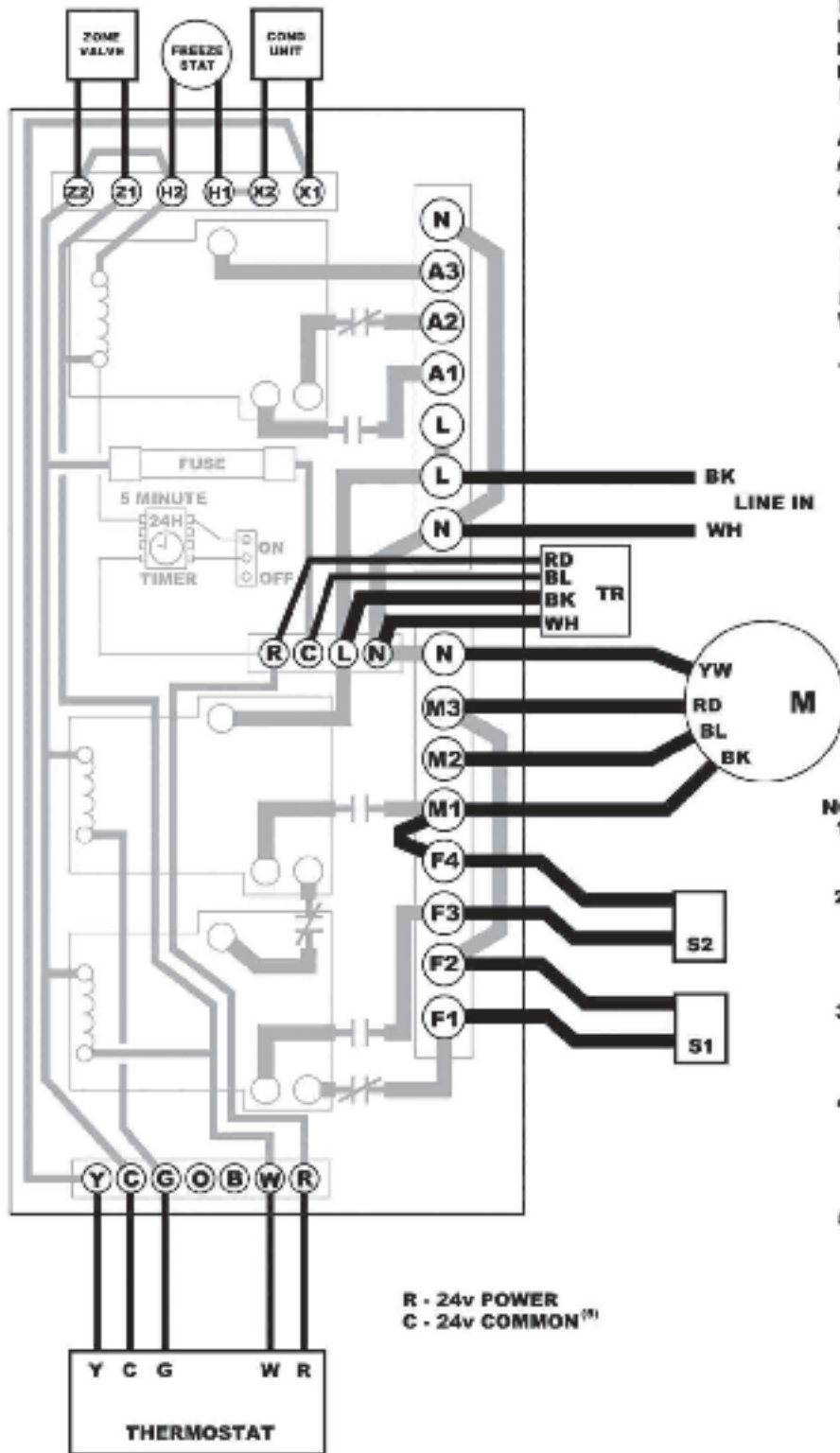


PSC Circuit Board (HV/LV Series) Standard Wiring

H - FREEZE STAT TERMINALS
X1 - COOLING MODE 24v OUTPUT
X2 - 24 VAC COMMON
Z1 - HEATING MODE 24v OUTPUT
Z2 - 24 VAC COMMON

M1 - MOTOR HIGH SPEED
M2 - MOTOR MEDIUM SPEED
M3 - MOTOR LOW SPEED
S1 - CONSTANT FAN CONTROL
S2 - HEATING SPEED CONTROL
F1 - CONSTANT FAN CONTROL TO RELAY ⁽¹⁾
F2 - CONSTANT FAN CONTROL TO MOTOR
F3 - HEATING SPEED CONTROL TO RELAY ⁽²⁾
F4 - HEATING SPEED CONTROL TO MOTOR ⁽²⁾
N - 115/1/60 NEUTRAL
L - 115/1/60 LINE
A1 - AUXILIARY NORMALLY OPEN
A2 - AUXILIARY NORMALLY CLOSED
A3 - AUXILIARY COMMON⁽⁴⁾

YW - YELLOW (NEUTRAL)
RD - RED
BL - BLUE
BK - BLACK
WH - WHITE
M - MOTOR
TR - 20 VA TRANSFORMER
(115 VAC PRIMARY, 24V SECONDARY)



R - 24v POWER
C - 24v COMMON⁽⁵⁾

NOTES:

- 1) CONSTANT FAN CONTROL OR JUMPER WIRE MUST BE USED TO COMPLETE THE F1 TO F2 CIRCUIT
- 2) HEATING SPEED CONTROL OR JUMPER WIRE MUST BE USED TO COMPLETE THE F3 TO F4 CIRCUIT. HEATING SPEED CONTROL IS NOT TO BE USED ON ELECTRIC HEAT SYSTEMS.
- 3) TERMINAL F4 REQUIRES AN EXTERNAL JUMPER TO TERMINAL M1 FOR HIGH SPEED HEATING OR M2 FOR MEDIUM SPEED HEATING
- 4) AUXILIARY RELAY COMMON(A3) CAN BE USED WITH A1 AND/OR A2 AS DRY CONTACTS, ARMED 24v FROM THE 'R' TERMINAL, OR ARMED 115v FROM THE 'L' TERMINAL
- 5) 'C' TERMINAL ON THERMOSTAT IS NOT NEEDED FOR SOME THERMOSTATS. CONSULT THERMOSTAT INSTRUCTIONS FOR DETAILS.