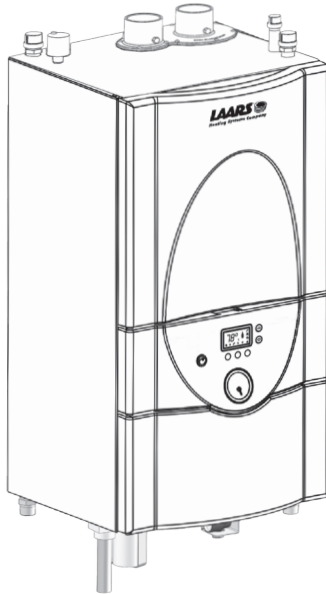


MASCOT[®] LX



Residential Hydronic Boiler

MLXH | Hydronic Boiler

Indoor, Sizes 50, 75, 100, 125, 150, 175, 220

Submission Data



Date:

Project #:

Engineer:

Prepared By:

Bid Date:

Project Name:

Location:

Contractor:

Standard Equipment

- High condensing efficiency
- Modulation down to 20% of full fire (5:1 turndown)
- Sealed combustion chamber
- Pre-mix stainless steel burner
- Low NOx system exceeds the most stringent regulations for air quality – 10ppm NOx
- Horizontal or vertical direct vent
- Vent and air pipe lengths of up to 150 equivalent feet (each)
- Horizontal vent and air terminals
- Stainless steel heat exchanger with welded construction
- ASME 30 psi (207kPa) working pressure heat exchanger
- ASME "H" stamp
- 30 psi (207kPa) ASME pressure relief valve
- Auto cascade setup
- Boiler pump wired and mounted inside jacket
- Built-in condensate trap and drain, priming not required
- Automatic air vent
- Temperature and pressure gauge
- Boiler water pressure switch
- Blocked vent pressure switch
- Blocked condensate pressure switch
- Burner site glass
- Electronic PID modulating control
- Direct spark ignition
- Multiple pump control for boiler pump and system pump, each with delay
- Domestic Hot Water Pump Output
- Customizable Freeze Protection
- Anti-short cycling
- Large user-interface and display
- Alarm output
- Accepts external (4-20mA or 0-10VDC) modulation signal
- Outdoor reset (sensor included)
- Outdoor air reset curve
- Vent temp auto turn-down before lockout
- Manual reset high limit
- Lighted on/off toggle switch
- Wall mount bracket
- Field convertible between natural gas and propane
- Zero clearance to combustible surfaces
- 15-Year limited warranty
- 2-Year parts warranty

Boiler Data

Number of Units:

Fuel

- Natural
 Propane

Options

- Low Water Cut-off



Sizing Data

Model	Input		Output		Gas	Water	Boiler Shipping Weight	
	BTU/h	kW	BTU/h	kW	Conn. Size inches	Conn. Size inches	lbs	kg
MLX H 50	50,000	14.6	47,500	13.2	1/2" NPT	3/4" NPT	88	40
MLX H 75	75,000	21.9	71,250	20.8	1/2" NPT	3/4" NPT	97	44
MLX H 100	100,000	29.3	95,000	27.8	1/2" NPT	3/4" NPT	112	51
MLX H 125	125,000	36.6	118,750	34.8	1/2" NPT	3/4" NPT	126	57
MLX H 150	150,000	43.9	142,500	41.8	1/2" NPT	1" NPT	140	64
MLX H 175	175,000	51.6	166,250	48.7	1/2" NPT	1" NPT	153	69
MLX H 220	220,000	64.4	209,000	61.2	1/2" NPT	1" NPT	161	73

NOTES:

- For other boiler ratings:

$$\text{Boiler Horsepower: HP} = \frac{\text{Output}}{33,475} \quad \text{Radiation Surface: EDR sq. ft.} = \frac{\text{Output}}{150}$$

Clearances

APPLIANCE SURFACE	SUGGESTED SERVICE ACCESS CLEARANCE	
	INCHES	CM
Left Side	6	15
Right Side	6	15
Top	12	30
Closet, Front	6	15
Front	24	61
Bottom	24	61
Vent	1	3

Certified by CSA for zero clearance to combustible materials on all sides.

Electrical Data

Size	Boiler		
	Volts	Phase	Amps
MLXH 50	120	Single	1.5
MLXH 75	120	Single	1.5
MLX H 100	120	Single	1.5
MLX H 125	120	Single	1.5
MLX H 150	120	Single	1.5
MLX H 175	120	Single	2.2
MLX H 220	120	Single	2.2

* Minimum 15A circuit required

Vent System

SIZES	INTAKE / EXHAUST Max Equivalent Vent and Air Pipe Length (each)								
	STANDARD 2-PIPE			STANDARD 2-PIPE			OPTIONAL CONCENTRIC		
	DIA.	FT.	m	DIA.	FT.	m	DIA.	FT.	m
50 - 175	2"	40	12.2	3"*	150	45.7	3/5"	40	12.2
220	2"	30	9.1	3"*	120	36.6	3/5"	40	12.2

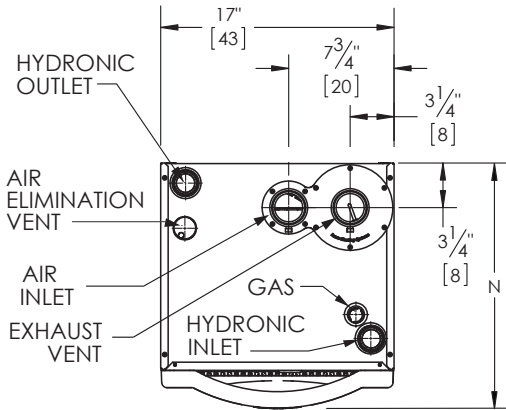
* Must use 2x3 adapter within 1 ft. (30cm) of boiler.

Reference the Installation and Operation Manual for more details.

Dimensional Data

Model	Dimension							
	A	B	C	D	E	F	G	H
50, 75 MBH	1" (3)	15-3/4" (40)	3-3/4" (9)	9-1/4" (24)	8" (20)	1-1/2" (4)	5-3/4" (14)	15-1/2" (39)
100, 125 MBH	1" (3)	15-1/2" (39)	1-1/4" (3)	12-3/4" (33)	11" (28)	1-1/4" (3)	9-1/2" (24)	14-3/4" (37)
150, 175 MBH	1-1/2" (4)	15-1/4" (39)	1-3/4" (4)	13" (33)	11-1/4" (28)	2-3/4" (7)	5-1/4" (14)	2" (5)
220 MBH	1-1/2" (4)	15-1/4" (39)	1-3/4" (4)	13" (33)	11-1/4" (28)	2-3/4" (7)	5-1/4" (14)	2" (5)

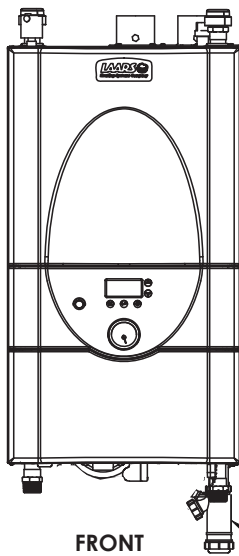
inches (cm)



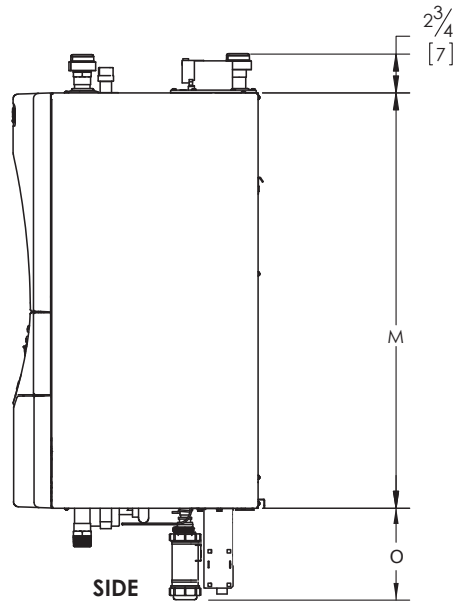
TOP

Model	M	N	O
50, 75 MBH	30-1/2" (78)	15-1/4" (39)	4-5/8" (12)
100, 125 MBH	30-1/2" (78)	18" (46)	4-5/8" (12)
150, 175 MBH	35-1/2" (90)	18" (46)	8-7/8" (23)
220 MBH	38-1/2" (90)	18" (46)	8-7/8" (23)

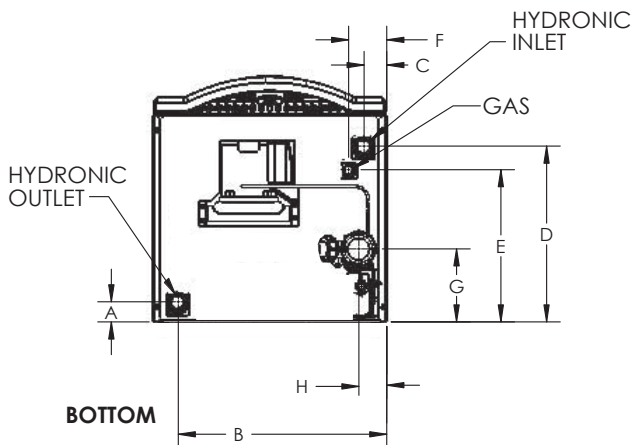
inches (cm)



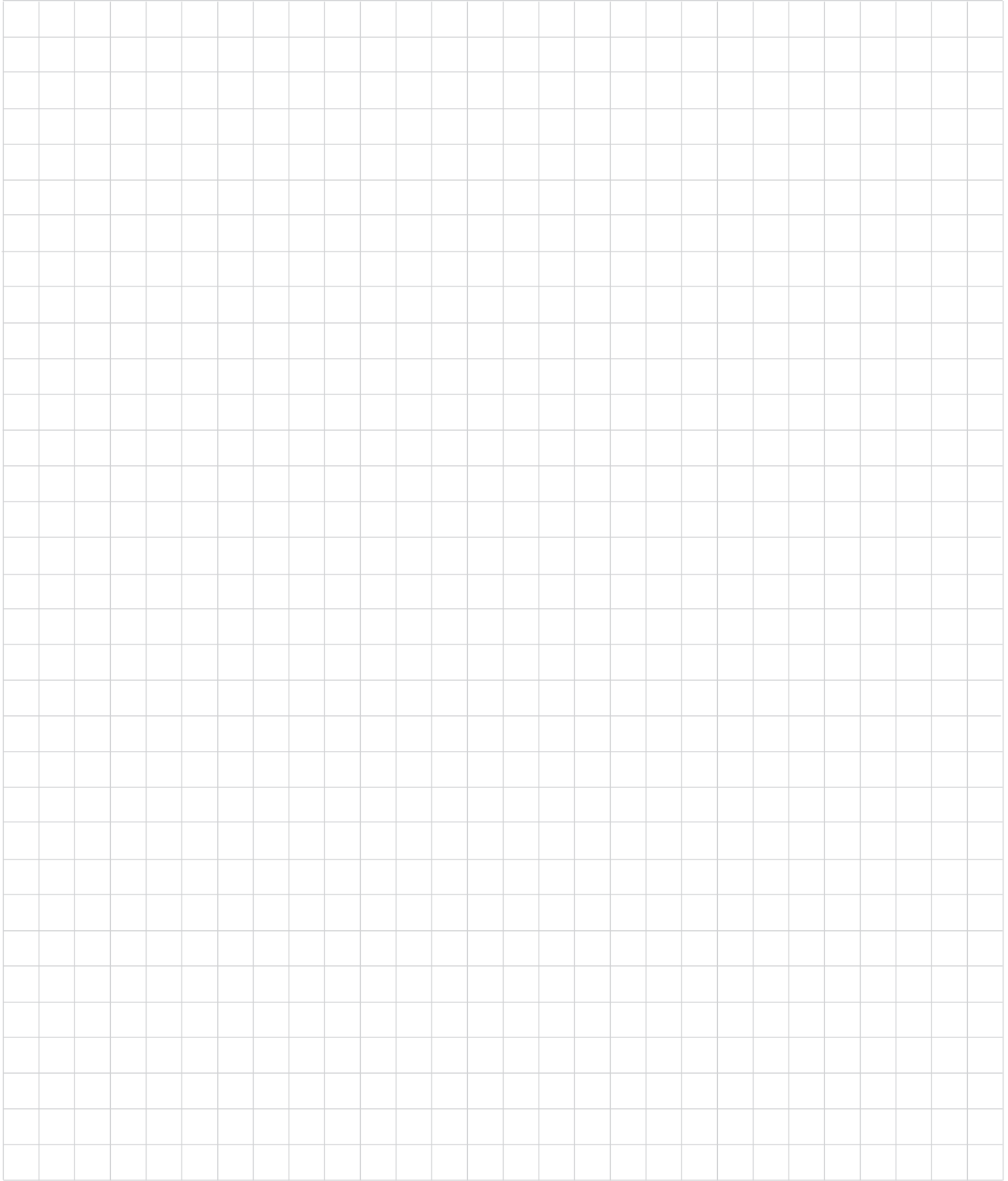
FRONT



SIDE



BOTTOM



Laars Heating Systems Company reserves the right to change specifications, components, features, or to discontinue products without notice.



Customer Service and Product Support: 800.900.9276 • Fax 800.559.1583
Headquarters: 20 Industrial Way, Rochester, NH 03867 • 603.335.6300 • Fax 603.335.3355
1869 Sismet Road, Mississauga, Ontario, Canada L4W 1W8 • 905.238.0100 • Fax 905.366.0130
www.Laars.com

Litho in U.S.A. © Laars Heating Systems 1409 Document 1299B