

LAARS® Heating Systems Company

INTRODUCES

The MASCOT LX



A Boiler.

A Tankless Water Heater.

A Wall-Hung Space Saver.

A Money and Energy Saver.

A Full Family of Sizes.

An All-in-One Answer to Your Home Heating and Hot Water Needs



It's a Boiler.
It's a Tankless Water Heater.
It's 95% Efficient.
And it hangs on a wall.



Replace the old boiler with this little wonder, and watch your heating & hot water bills shrink.

It's ENERGY STAR® qualified, heats any size house, and can provide plenty of hot water for your family without breaking a sweat. And, it takes up no floor space because it hangs on a wall.

For years, common wisdom said that the only time to replace a boiler was when the old one failed. That's not the case anymore. The truth is that the modern technology you'll find in the MASCOT LX can save you a considerable amount of money and energy. The high efficiency MASCOT LX is light years ahead in providing economical heat and hot water.

Inside the MASCOT LX, our premium, American-Made heat exchanger offers up to 95% AFUE efficiency, to heat your home and your domestic water making it unsurpassed in the industry. It's a high efficiency, high output, wall hung boiler and tankless water heater ... all in one efficient little box.

It's heating perfection!

It's time to consider the newest and most advanced home heating system available anywhere ... The MASCOT LX.

LAARS® 
Heating Systems Company
A subsidiary of **BRADFORD WHITE®** Corporation

The LAARS® MASCOT LX Combination Boiler and

LAARS® MASCOT LX Design Features

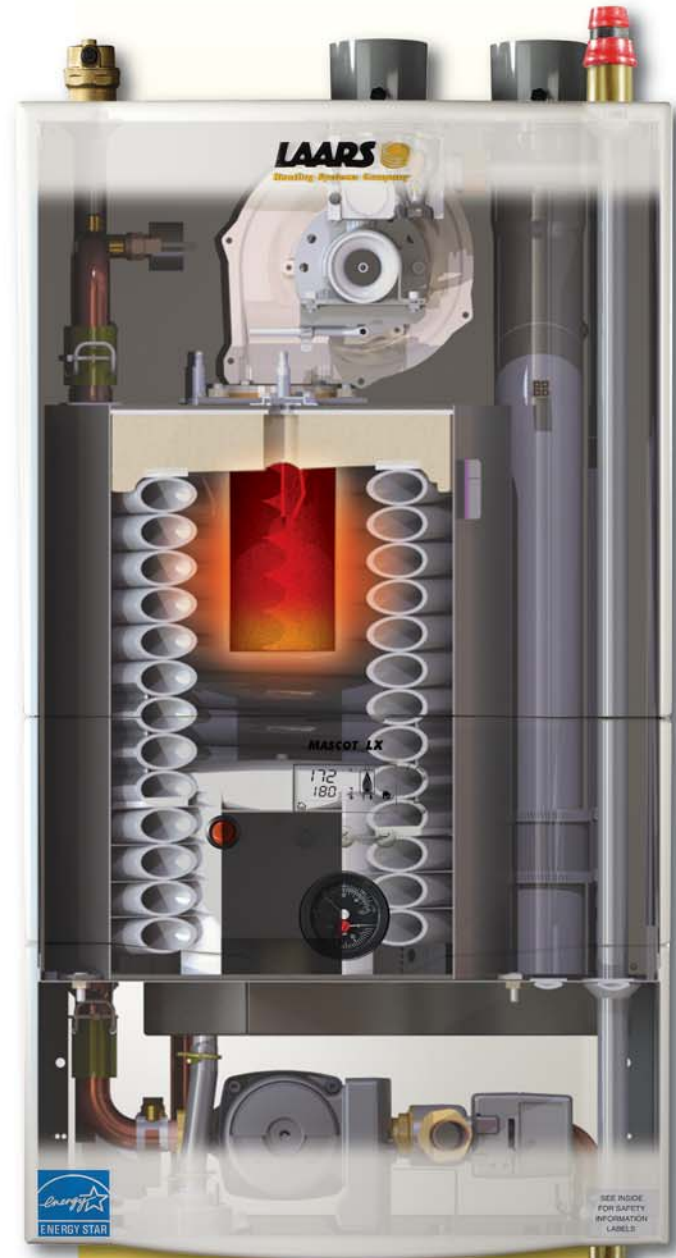
The MASCOT LX is an all-in-one space heating boiler and tankless water heater available in 7 sizes to meet the smallest to largest home's heating needs. MASCOT LX efficiently transfers the most heat possible from your natural or propane gas into your home. How does it do that? Through "condensing operation". Stored heat that normally goes up the chimney as waste in traditional heating systems is recovered through the MASCOT LX's condensing chamber and is passed into your home. *Learn more at www.laars.com*

- ▶ Fully modulating system – this means that the MASCOT LX smoothly adjusts how much gas is used based on exact heating needs in the house. No more turning full on and full off like old systems. Results in a very fuel efficient operation
- ▶ Top or bottom gas and heating connections give installers flexibility when installing - Makes for a neater looking installation as well
- ▶ Circulator included with the MASCOT LX reduces installation time and complexity

Ultra Efficient

Greatly reduce heating bills when compared to older, low efficient boilers – up to 20% lower! Potentially save thousands of dollars in heating bills over the life of the boiler.

- ▶ 95% AHRI certified efficiency and Energy Star® Most Efficient Rating equals reduced fuel use!
- ▶ Outdoor reset technology balances your home's heating needs with the outside temperature, minimizes boiler run time
- ▶ The MASCOT LX modulates down and runs at a lower rate during cool days



**MASCOT LX - American
Designed and Made
Heat Exchanger
Safe and Reliable**

Rebate Eligible - check federal, state and local rebates to maximize up front savings!

and Tankless Water Heater

Only the Best Will Do for You and Your Family

We understand how important a warm home and reliable hot water are to you and your family. That's why we build and test each MASCOT LX at our headquarters in Rochester, NH. In fact, the MASCOT LX is the only 95% efficient residential boiler available that offers an American designed and made heat exchanger. When you choose a MASCOT LX to heat your home and water, you're choosing over 65 years of know-how from LAARS® Heating Systems, a privately owned American company.

Where used:

Heating

- ▶ Baseboard and Radiators
- ▶ Radiant: In-Floor, In-Wall or In-Ceiling
- ▶ Air Handler / Hydro-Air Systems
- ▶ Towel Warmers

Hot Water

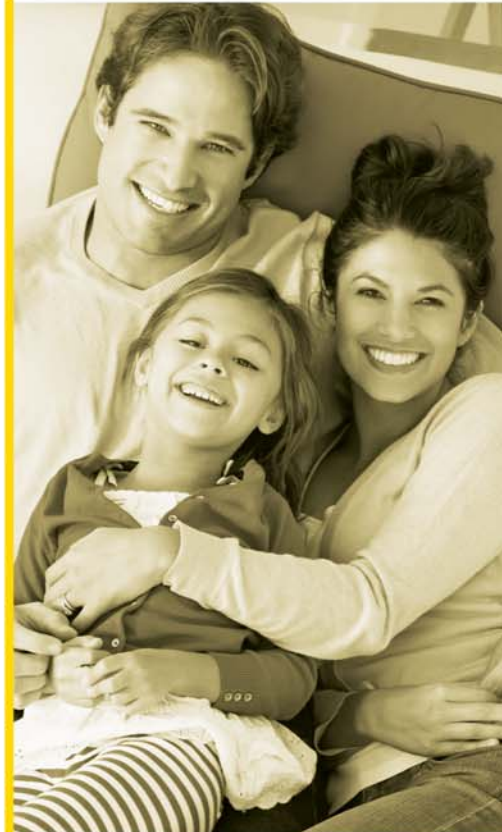
- ▶ Showers
- ▶ Bath Tubs
- ▶ Sinks
- ▶ Dishwasher
- ▶ Laundry

Environmentally Friendly

Selecting the MASCOT LX helps preserve the environment for future generations by reducing your carbon footprint:

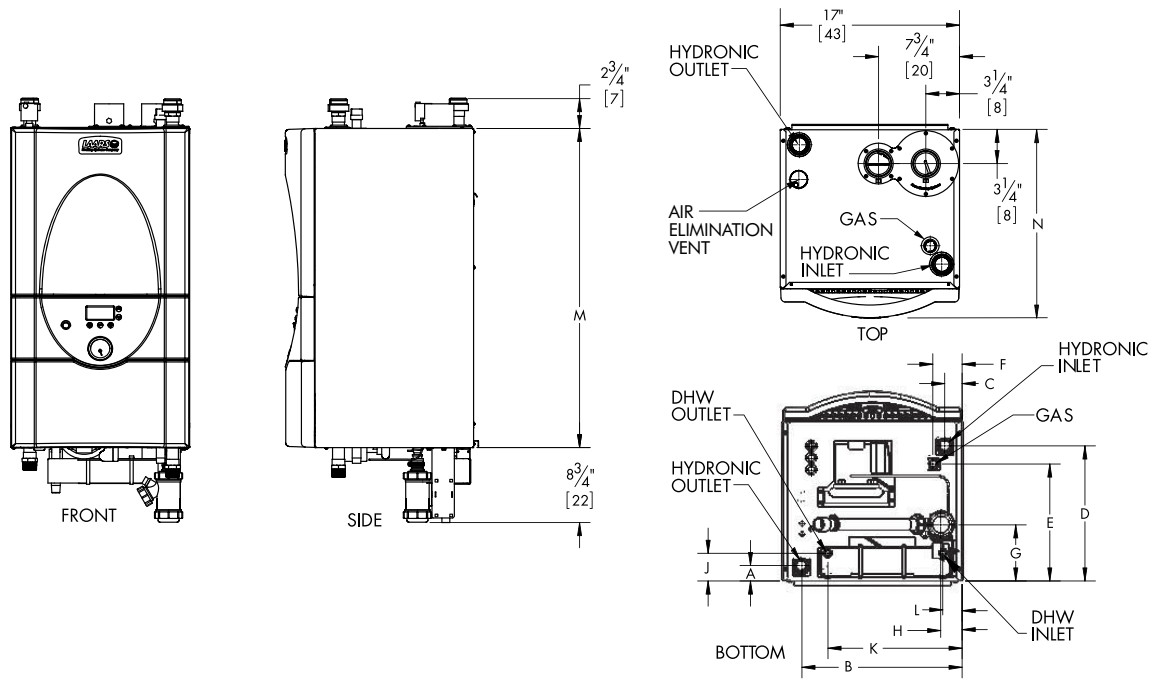


- ▶ The Laars MASCOT LX produces 16% fewer CO2 emissions vs standard efficiency boilers
- ▶ On top of reduced CO2 emissions the Mascot LX emits an ultra-low level of Nitrous Oxide or NOx – this is a positive step towards improving the quality of the air we breath



**Open up your home heating possibilities,
open up to the MASCOT LX!**

The MASCOT LX at a Glance



MASCOT LX Dimensions

MASCOT LX BOILER	A	B	C	D	E	F	G	H	J	K	L	M	N
50 & 75 MBH	1" (3)	15-3/4" (40)	3-3/4" (9)	9-1/4" (24)	8" (20)	1-1/2" (4)	5-3/4" (14)	15-1/2" (39)	-	-	-	30-1/2" (78)	15-3/4" (40)
100MBH	1" (3)	15-1/2" (39)	1-1/4" (3)	12-3/4" (33)	11" (28)	1-1/4" (3)	9-1/2" (24)	14-3/4" (37)	-	-	-	30-1/2" (78)	18" (46)
125 MBH	1" (3)	15-1/2" (39)	1-1/4" (3)	12-3/4" (33)	11" (28)	1-1/4" (3)	9-1/2" (24)	14-3/4" (37)	2-3/4" (7)	12-3/4" (33)	2" (5)	30-1/2" (78)	18" (46)
150 & 175 MBH	1-1/2" (4)	15-1/4" (39)	1-3/4" (4)	13" (33)	11-1/4" (28)	2-3/4" (7)	5-1/4" (14)	2" (5)	2-3/4" (7)	12-3/4" (33)	1-3/4" (5)	35-1/2" (90)	18" (46)
220 MBH	1-1/2" (4)	15-1/4" (39)	1-3/4" (4)	13" (33)	11-1/4" (28)	2-3/4" (7)	5-1/4" (14)	3" (5)	-	-	-	38-1/2" (98)	18" (46)

inches (cm)

MASCOT LX Specifications

	Units	Size												
		50H		75H		100H		125		150		175		220H
		Heating	Heating	Heating	Heating	Combi	Heating	Combi	Heating	Combi	Heating	Combi	Heating	
Input - Max Fire	BTU/Hr. (kW)	50,000 (14.6)	75,000 (22)	100,000 (29.3)	125,000 (36.6)	150,000 (43.9)	175,000 (51.2)	220,000 (64.4)						
Output - Min Fire	BTU/Hr. (kW)	10,000 (2.9)	15,000 (4.4)	20,000 (5.9)	25,000 (7.3)	30,000 (8.8)	35,000 (10.2)	44,000 (12.9)						
Fuel	-	Natural Gas or Propane												
DHW Max Outlet Water Temp	°F (°C)	-	-	-	-	180 (60)	-	180 (60)	-	180 (60)	-	-	-	
DHW Max Flow Rate (dt @ 77)	gpm (l/m)	-	-	-	-	3.1 (12)	-	3.7 (14)	-	4.3 (16)	-	-	-	
Flow Rate Min	gpm (l/m)	-	-	-	-	0.5 (1.9)	-	0.5 (1.9)	-	0.5 (1.9)	-	-	-	
Pressure Relief Setting	psi (kPa)	30 (207)												
Gas Connection	NPT	1/2"												
Hydronic Connection	NPT	3/4"					1"							
Domestic Water Connection	NPT	-		-		1/2"	-		1/2"	-		1/2"	-	
Burner & Heat Exchanger	-	Stainless Steel												
Weight	lbs (kg)	88 (40)	97 (44)	112 (51)	126 (57)	133 (60)	140 (64)	148 (67)	153 (69)	163 (74)	161 (73)			
Air and Vent - Two Pipe	inch (cm)	2	2	2	3		3		3		3			
Air and Vent - Concentric	inch (cm)	3" / 5" (7.6 / 12.7)												
Electrical Supply	Volts	120 (60Hz)												

inches (cm)

*125, 150 and 175 Combi units.

- Natural or Propane Gas
- 95% AFUE efficiency
- Direct vent up to 150 feet
- Zero installation clearance
- Direct spark ignition
- Pump freeze protection
- Quiet variable speed blower
- Auto cascade setup for multiple boiler installations
- Top or bottom heating and gas connections
- Unique sealed condensate trap does not need priming
- Circulator with air vent
- Fully modulates, 20 to 100%
- Stainless ASME heat exchanger
- Automatic 3-way valve for DHW priority on combi sizes
- Outdoor reset with sensor
- Two pipe or concentric vent
- Mounting kit with brackets

The LAARS® MASCOT LX Checks All the Boxes



- ✓ All in one tankless water heater and space heating boiler
- ✓ American Designed and Made Heat Exchanger
- ✓ Modern Cabinet Design
- ✓ Ultra High Efficiency
- ✓ Reduced Heating Bills
- ✓ Rebate Eligible
- ✓ CSA Safety Certified
- ✓ Energy Star® Rated
- ✓ Small Wall Hung Design
- ✓ Easy to Use Controls
- ✓ Quiet Operation
- ✓ Light Weight
- ✓ Heats Any Size Home
- ✓ Plentiful Supply of Hot Water
- ✓ Environmentally Friendly
- ✓ Industry Leading Warranty and Parts Replacement
- ✓ 15 Year Heat Exchanger Warranty / 2 Years Parts Warranty



A control system so advanced its simple!



Learn More.



www.laars.com/mascotlx

LAARS®

Heating Systems Company

A subsidiary of **BRADFORD WHITE®** Corporation

Customer Service and Product Support: 800.900.9276 • Fax 800.559.1583

Headquarters: 20 Industrial Way, Rochester, NH 03867 • 603.335.6300 • Fax 603.335.3355
1869 Sismet Road, Mississauga, Ontario, Canada L4W 1W8 • 905.238.0100 • Fax 905.366.0130