

U11I Rugged Tablet Vehicle Dock User's Manual



Package Contents

If any of following items is damaged, please contact your retailer.

Vehicle Docking



Car adapter

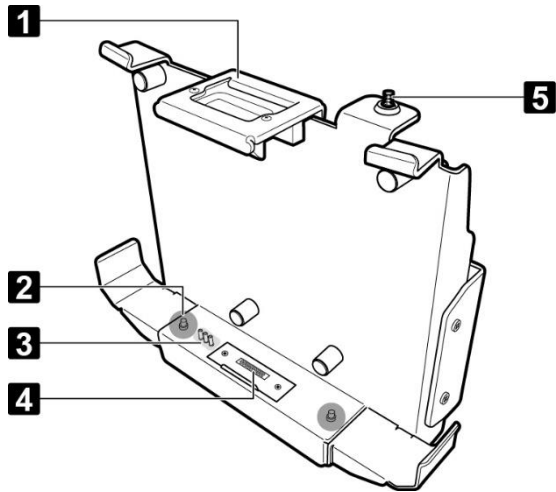


NOTE

The pictures are for reference only, actual items may slightly differ.

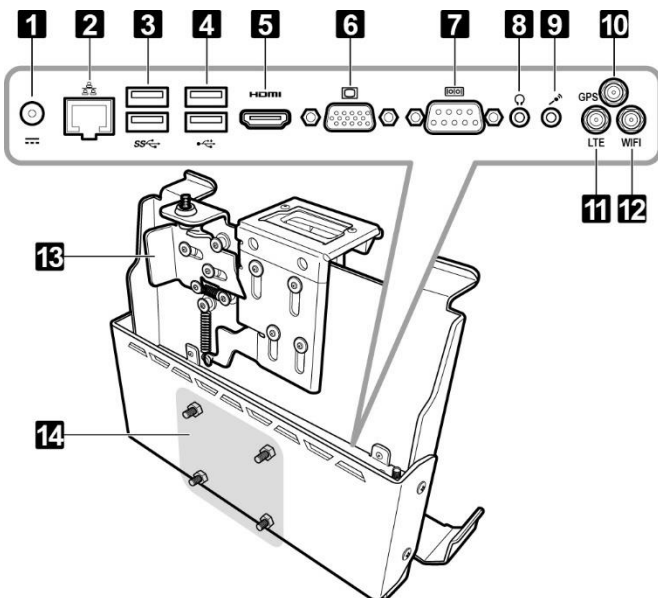
Product Overview

Front



No.	Item
1	Top clamp
2	Grounding pin (x2)
3	Triple RF pass-thru connectors (optional)
4	Docking connector
5	Lock (with key slot)

Rear



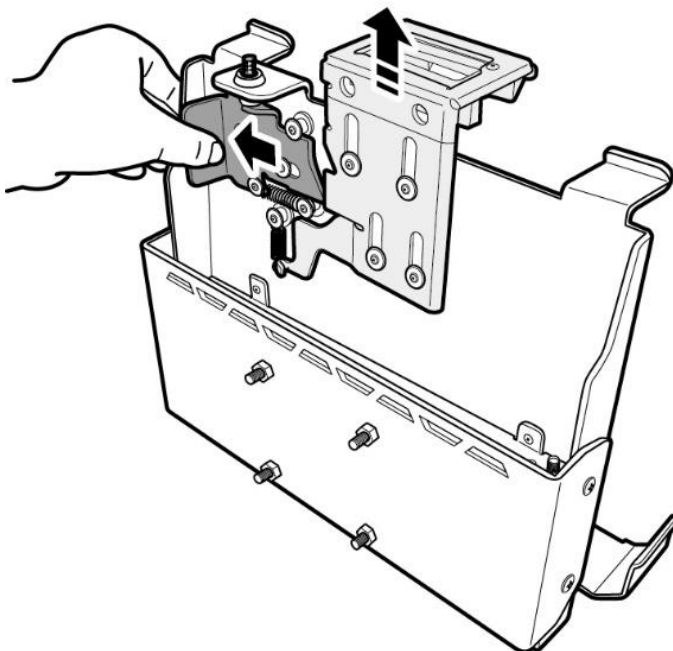
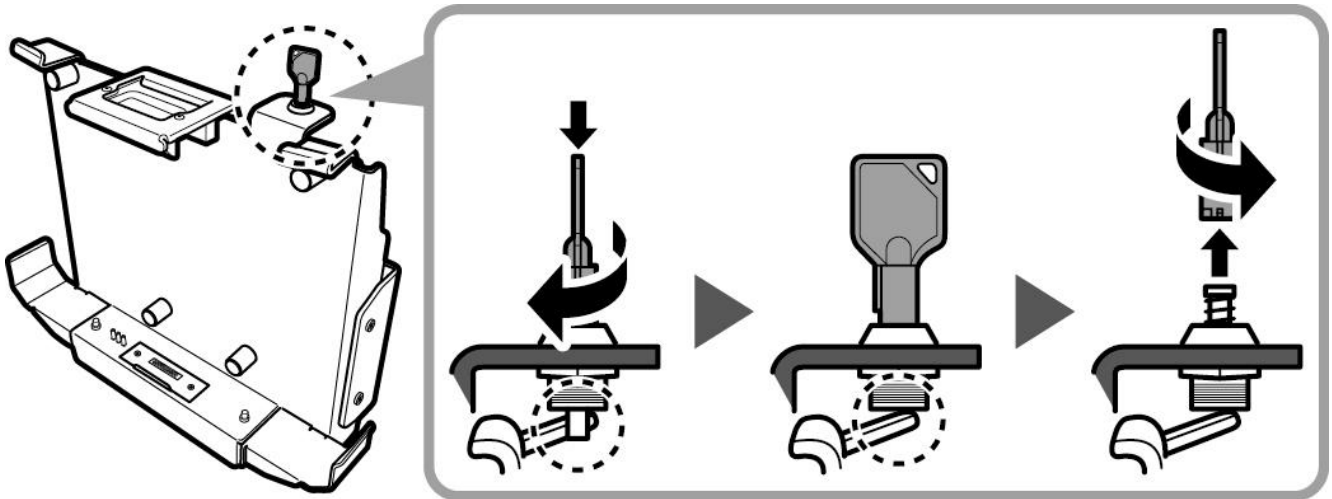
No.	Item
1	DC-in jack*
2	LAN (RJ-45) port
3	USB3.0 port (x2)
4	USB2.0 port (x2)
5	HDMI port
6	VGA port
7	Serial port (RS-232)
8	Audio out jack
9	Microphone in jack
10	GPS antenna port
11	LTE antenna port
12	WIFI antenna port
13	Slide latch
14	Mounting holes for VESA mount (with VESA screw x4)

*Please contact dealer for appropriate adapter.

Unlock the Lock

Lock on the docking cradle was locked during packaging. To unlock lock, do the following:

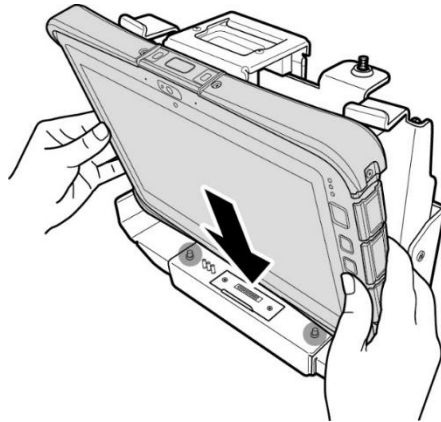
1. Insert the lock key.
2. Turn it clockwise until a "click" is heard, indicating the lock is released.
3. Turn the key back counterclockwise to remove it from the key slot.
4. Push the side latch all the way to the left to disengage the top clamp.



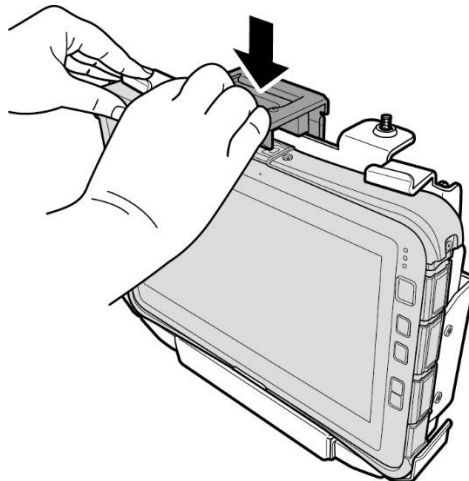
NOTE: Top clamp disengages automatically after the side latch is fully extended.

Docking the Tablet PC

1. With screen side facing out and docking connector down, insert the tablet PC into the grounding pin on docking cradle.

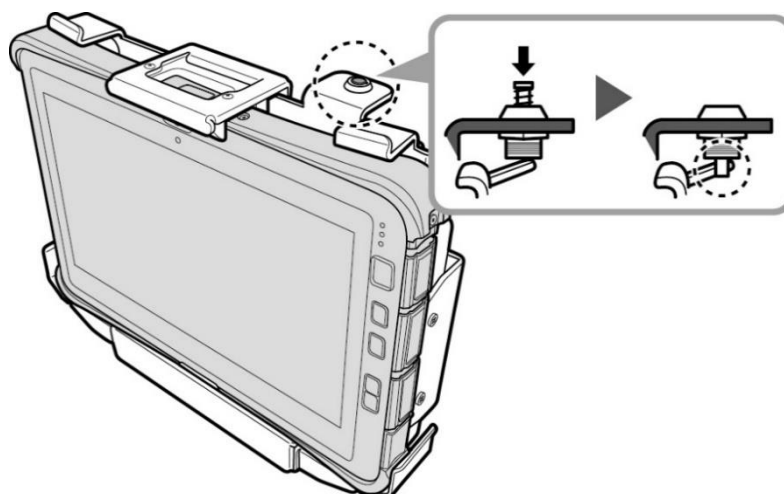


2. Secure the tablet PC by pressing firmly on the top clamp until a "click" is heard and the lock is fully engaged.



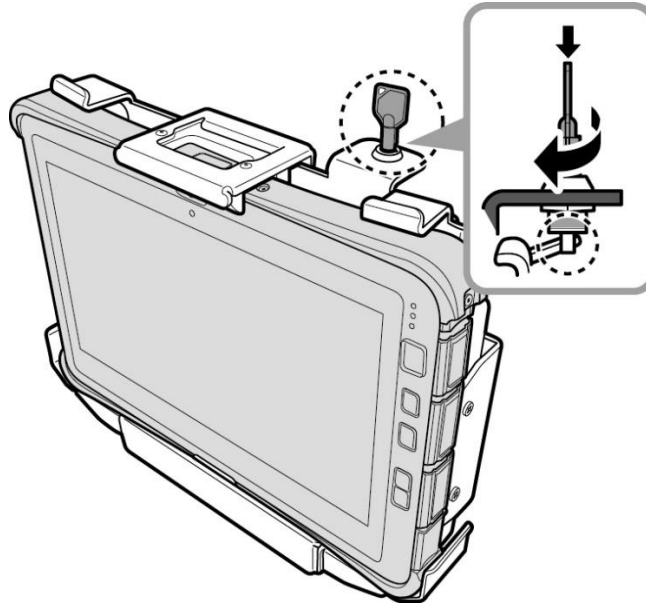
3. Fully push the lock into position to ensure the lock is tightly secured

NOTE: If the lock cannot be pushed, adjust the lock position, and repeat step 3.



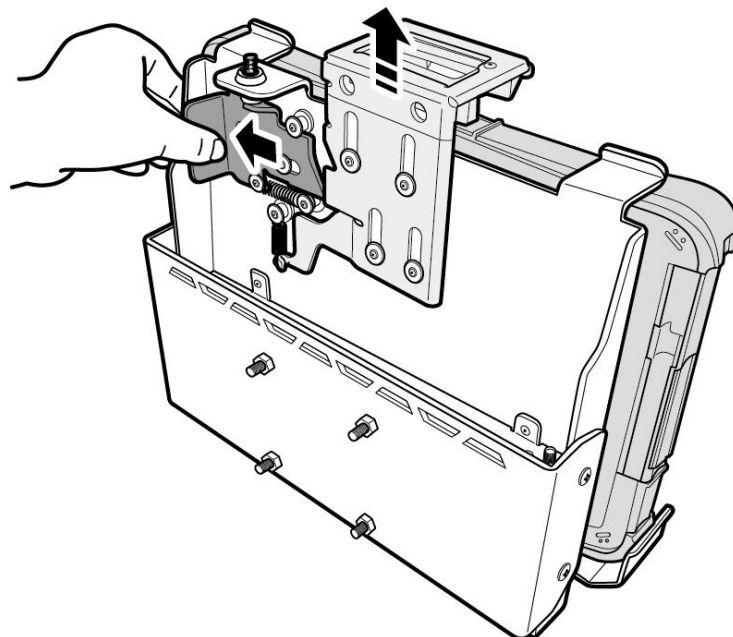
Unlocking the Tablet PC

1. Insert the lock key into the lock and turn clockwise until a “click” is heard. Turn the key back counterclockwise to remove it from the key slot. Refer to the “**Unlock the Lock**” section.

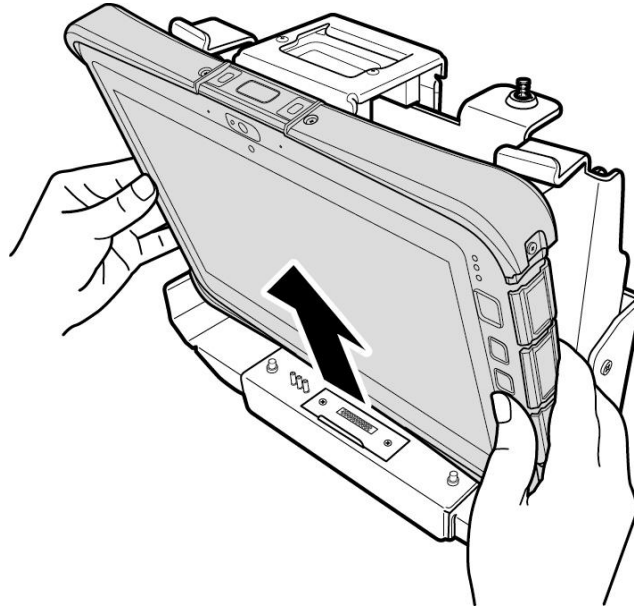


2. Push the side latch all the way to the left to disengage the top clamp.

NOTE: Top clamp disengages automatically after the side latch is fully extended.



3. Remove the tablet PC from the docking cradle.



Federal Communications Commission Statement

This equipment has been tested and found to comply with the limits for a Class A digital device, pursuant to part 15 of the FCC Rules. These limits are designed to provide reasonable protection against harmful interference when the equipment is operated in a commercial environment. This equipment generates, uses, and can radiate radio frequency energy and, if not installed and used in accordance with the instruction manual, may cause harmful interference to radio communications. Operation of this equipment in a residential area is likely to cause harmful interference in which case the user will be required to correct the interference at his own expense.

Warning: Operation of this equipment in a residential environment could cause radio interference.

IC Regulations

This device complies with Industry Canada's licence-exempt RSSs. Operation is subject to the following two conditions: (1) This device may not cause interference; and (2) This device must accept any interference, including interference that may cause undesired operation of the device.

Le présent appareil est conforme aux CNR d'Industrie Canada applicables aux appareils radio exempts de licence. L'exploitation est autorisée aux deux conditions suivantes: (1) l'appareil ne doit pas produire de brouillage, et (2) l'utilisateur de l'appareil doit accepter tout brouillage radioélectrique subi, même si le brouillage est susceptible d'en compromettre le fonctionnement.

This Class A digital apparatus complies with Canadian ICES-003.

Cet appareil numérique de la classe A est conforme à la norme NMB-003 du Canada.