

# FINE MATERIAL SCREW WASHER SPARE PARTS

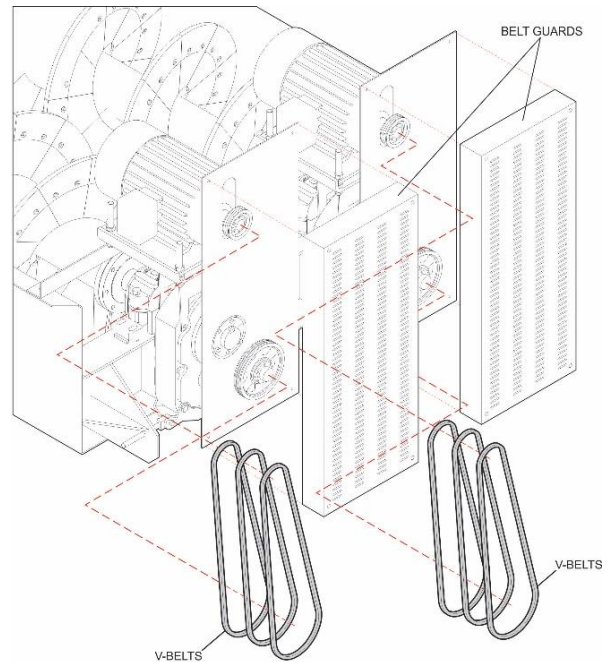
## IMPORTANT INFORMATION:

It is recommended that you keep certain replacement parts at your facility. These parts will be available in the event of a breakdown and will also be available to perform any repairs that must be made as a result of regularly scheduled maintenance checks. **McLanahan Corporation** stocks a wide variety of commonly used components; however, storing these parts at your facility, will eliminate the expense of air-freighting critical parts that may be required during a breakdown situation. Refer to the "PARTS LIST AND ASSEMBLY" drawing(s) to assist with parts identification, part numbers and quantities. Contact the Parts Department at **McLanahan Corporation** for price and availability of all parts for your **McLanahan** equipment.

## RECOMMENDED STANDARD SPARE PARTS:

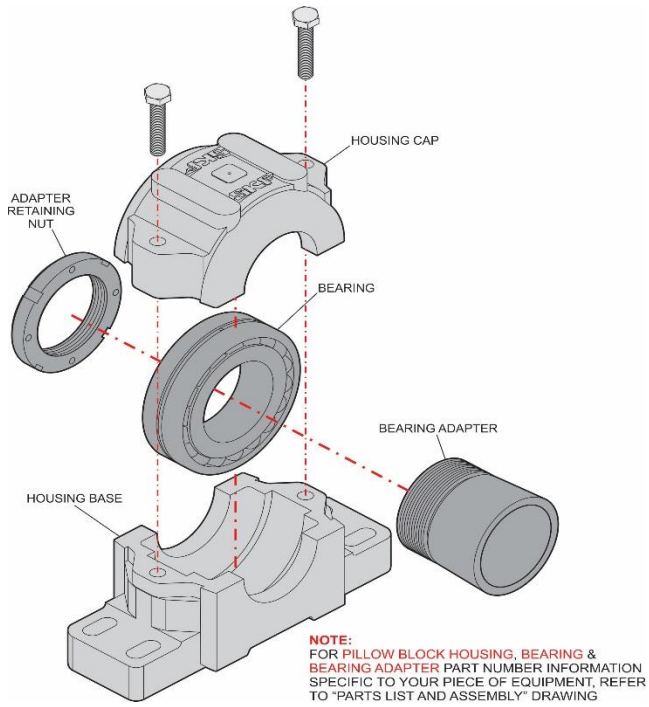
| <u>QUANTITY</u> | <u>DESCRIPTION</u>                    |
|-----------------|---------------------------------------|
| 1               | Pillow Block Bearing Housing          |
| 1               | Pillow Block Bearing                  |
| 1               | Pillow Block Bearing Adapter          |
| 1               | Lower Bearing Assembly                |
| 1               | Lower Bearing Assembly Rebuild Kit    |
| 1               | Seal Installation Tool                |
| 1-Set           | V-Belts ( <b>HIGHLY RECOMMENDED</b> ) |
| 1-Set           | Wear Shoes & Fasteners (optional)     |

## V-BELTS:

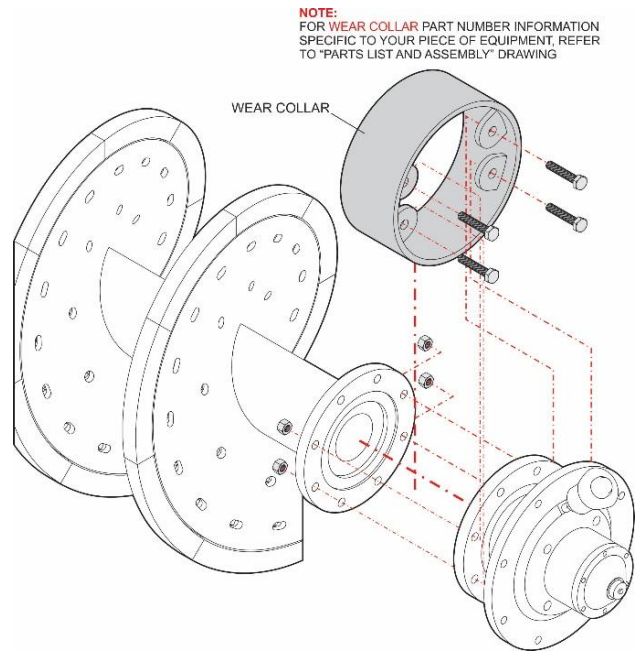


**NOTE:**  
 FOR V-BELT PART NUMBER INFORMATION SPECIFIC TO YOUR PIECE OF EQUIPMENT, REFER TO "PARTS LIST AND ASSEMBLY" DRAWING

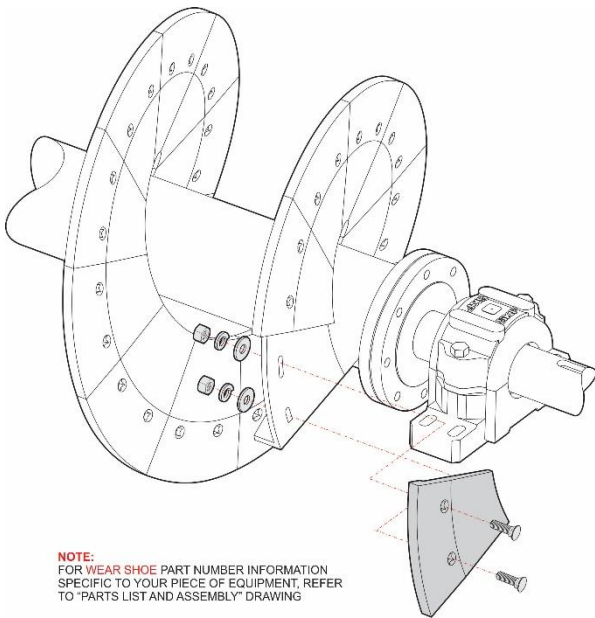
## PILLOW BLOCK BEARING:



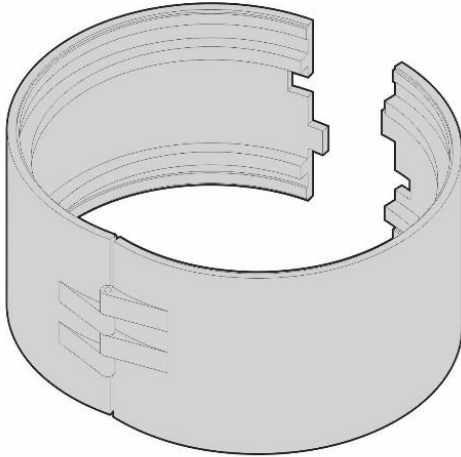
## WEAR COLLAR:



## WEAR SHOES:



## SEAL INSTALLATION TOOL FOR LOWER BEARING ASSEMBLY:



| <b>PART NUMBER</b> | <b>WHERE USED</b>  |
|--------------------|--|
| 2-992-00138        | XXXXXXXXXXXXXXXXXXXX   |
| 2-992-00139        | 3-992-14603 (20"-36" SCREW WASHER)   |
| 2-992-00140        | 3-992-16009 (44" SCREW WASHER)<br>3-922-16010 (36" LOG WASHER)   |
| 2-992-00141        | 3-922-17800 (46" MUDMASTER)<br>3-992-17803 (54" SCREW WASHER & 38" LOG WASHER)<br>3-992-17804 (66" SCREW WASHER) |

*Please contact our Parts & Service Department for current Pricing and Lead Times.*