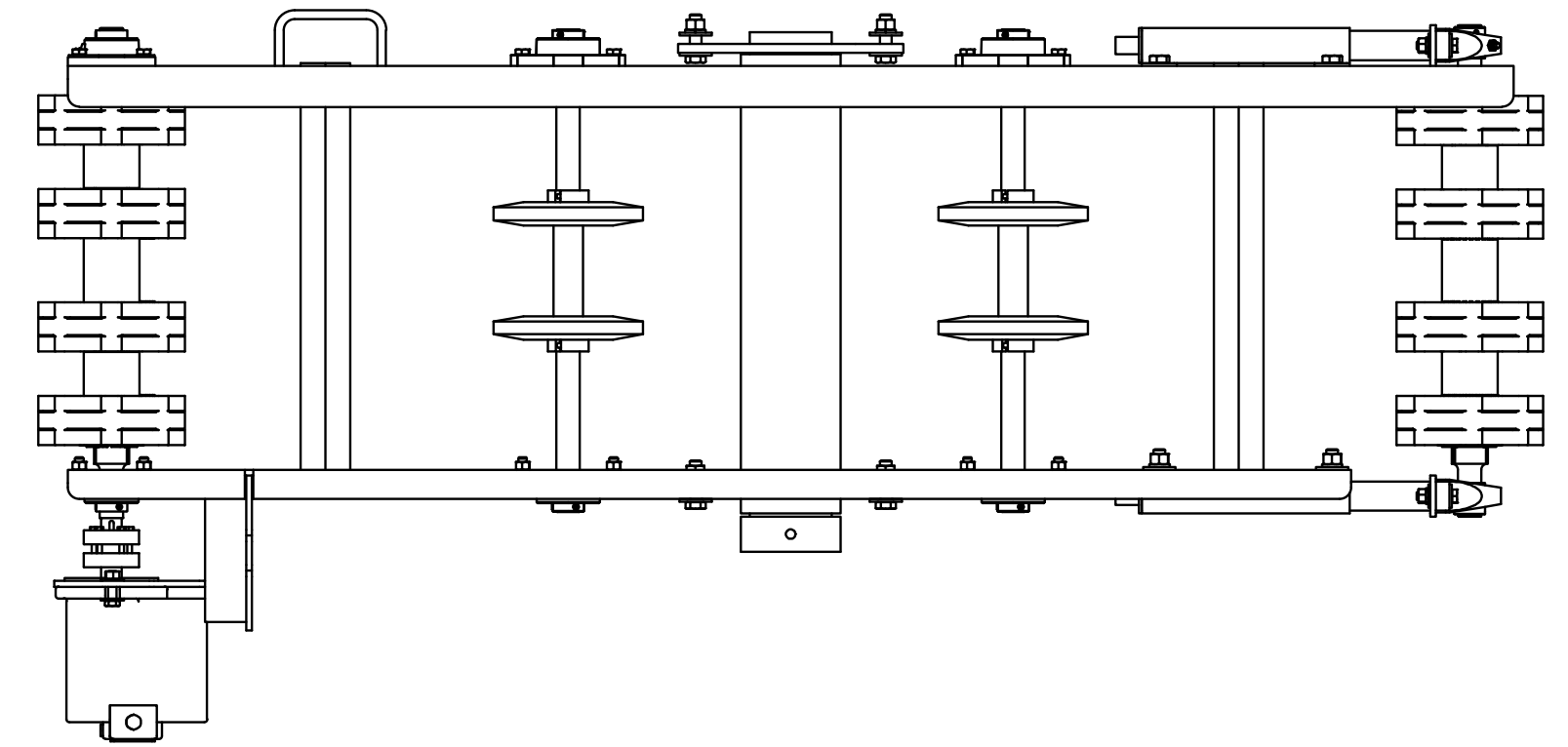
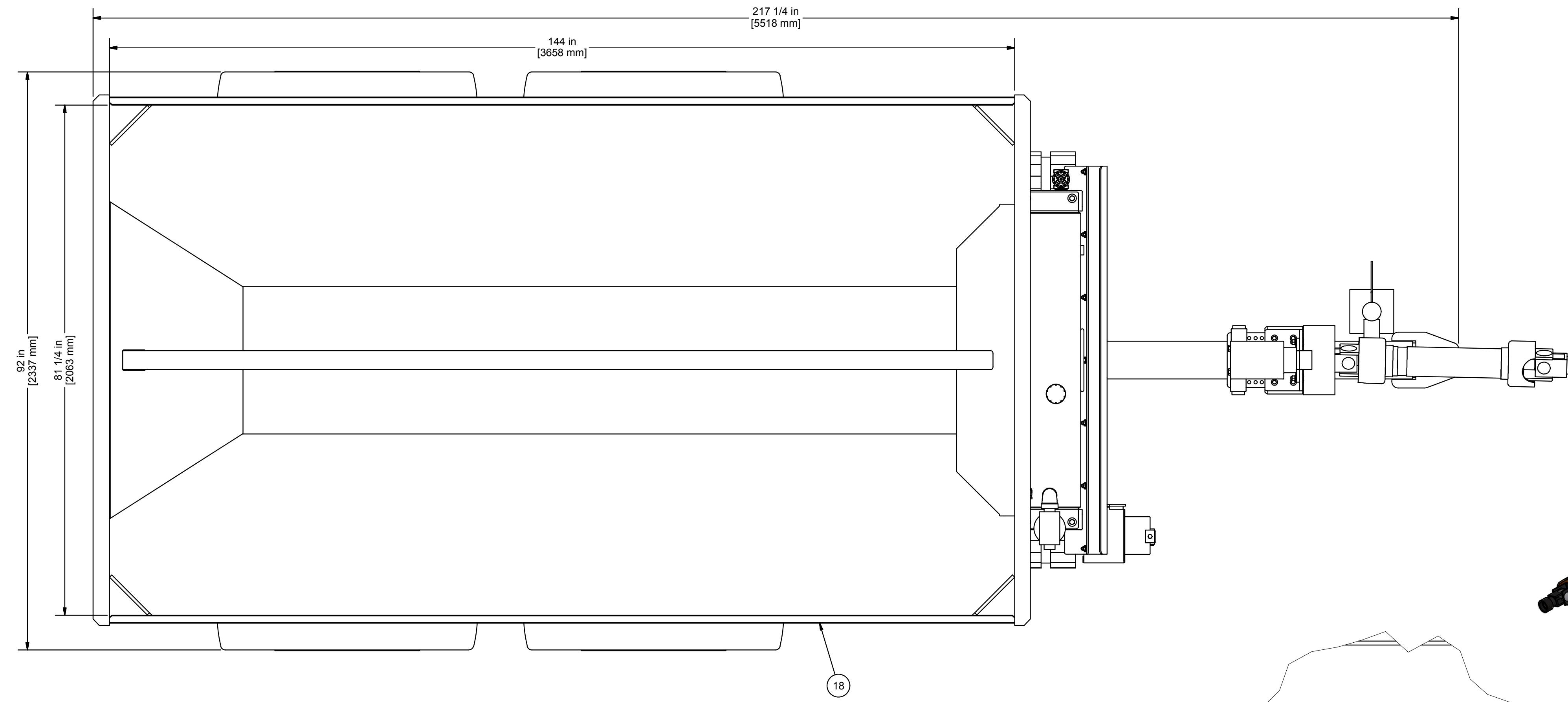


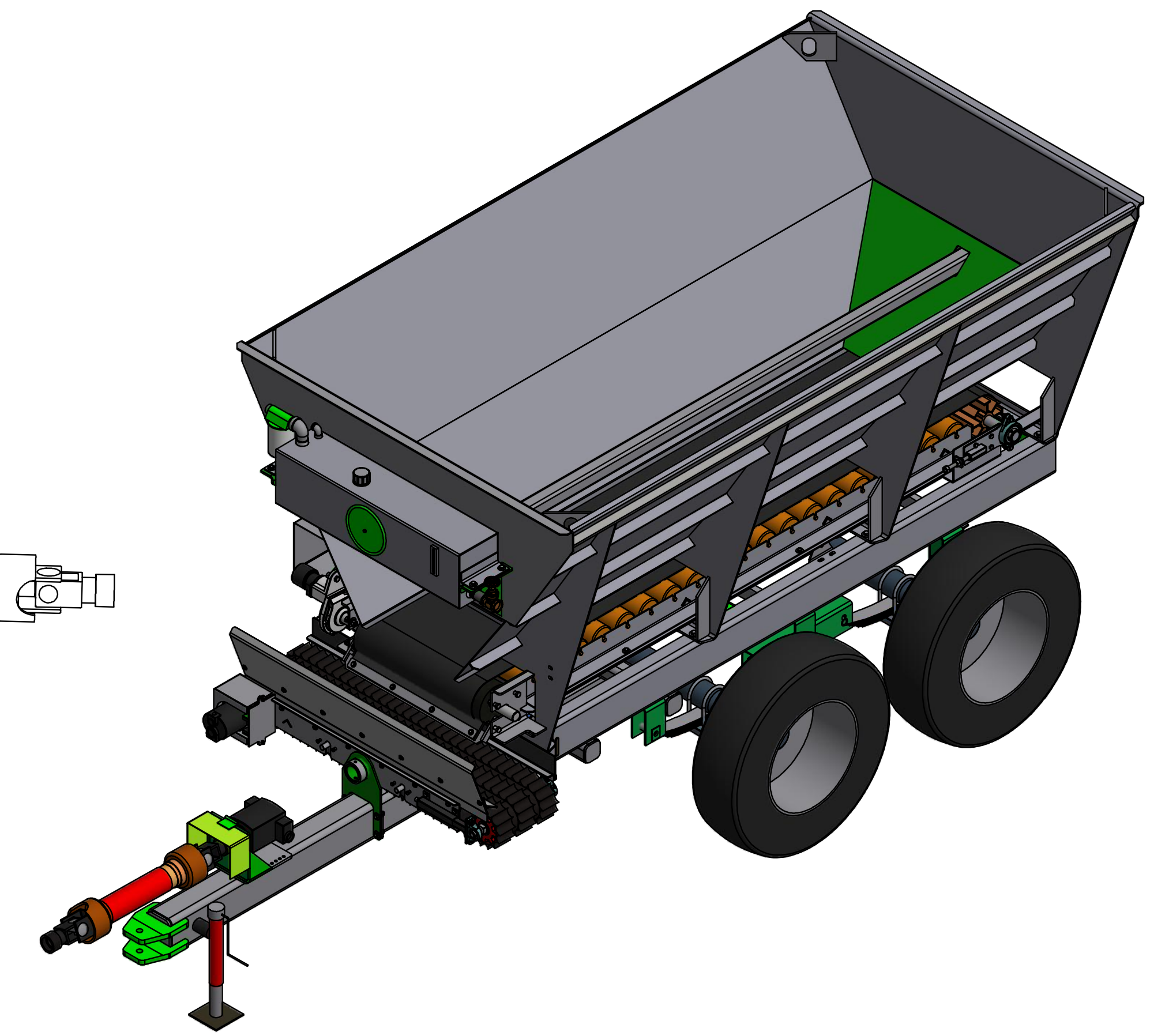
HOPPER BELD DRIVE DETAILS
SCALE 1:8



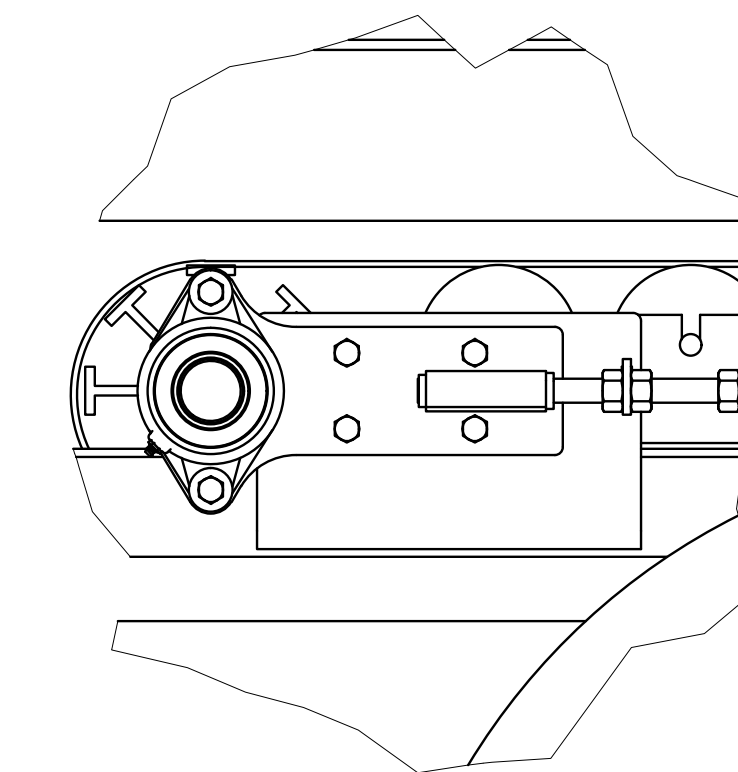
DISCHARGE BELT ASSEMBLY DETAILS
SCALE 1:8



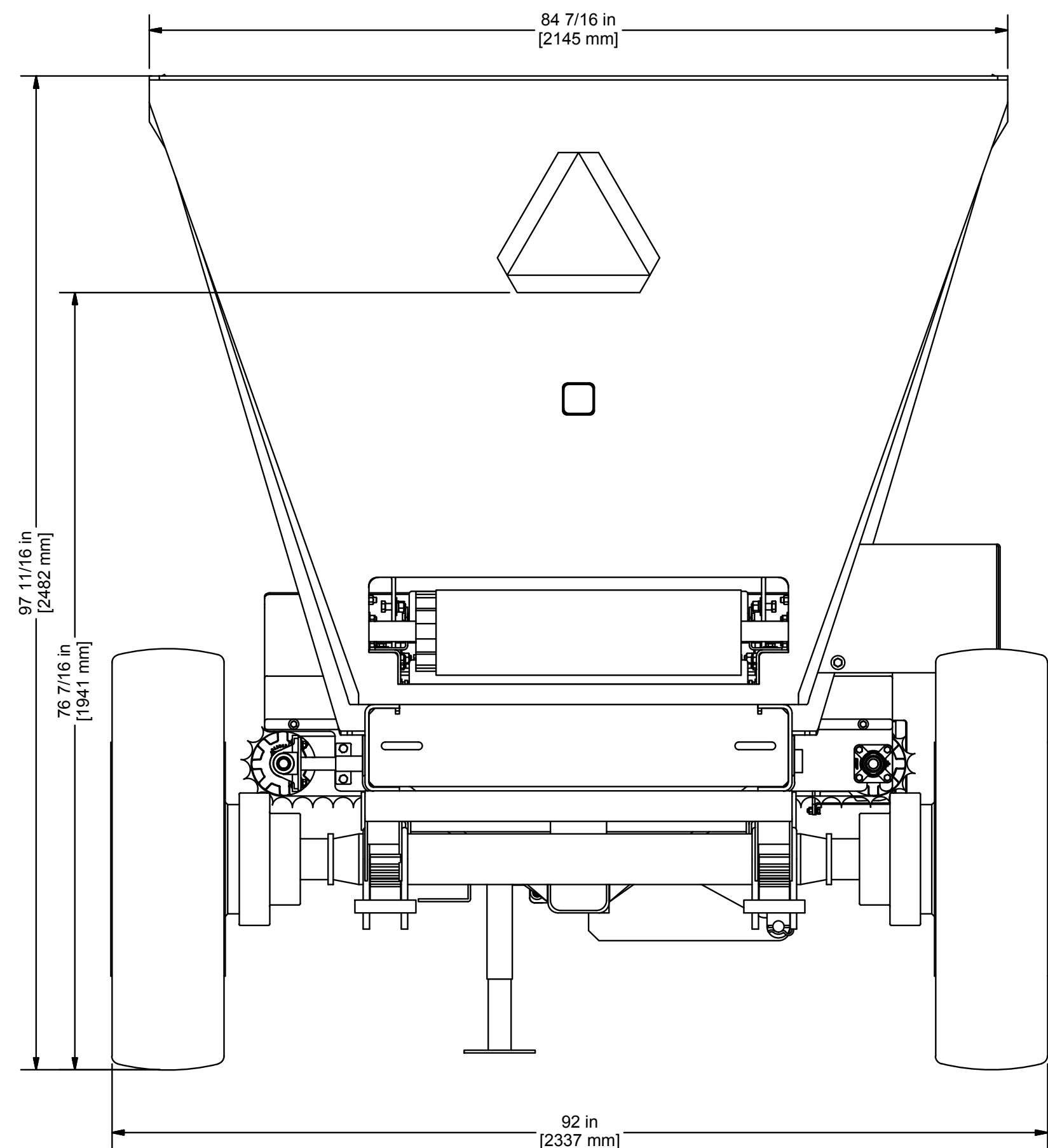
ASSEMBLY TOP VIEW
SCALE 1:12



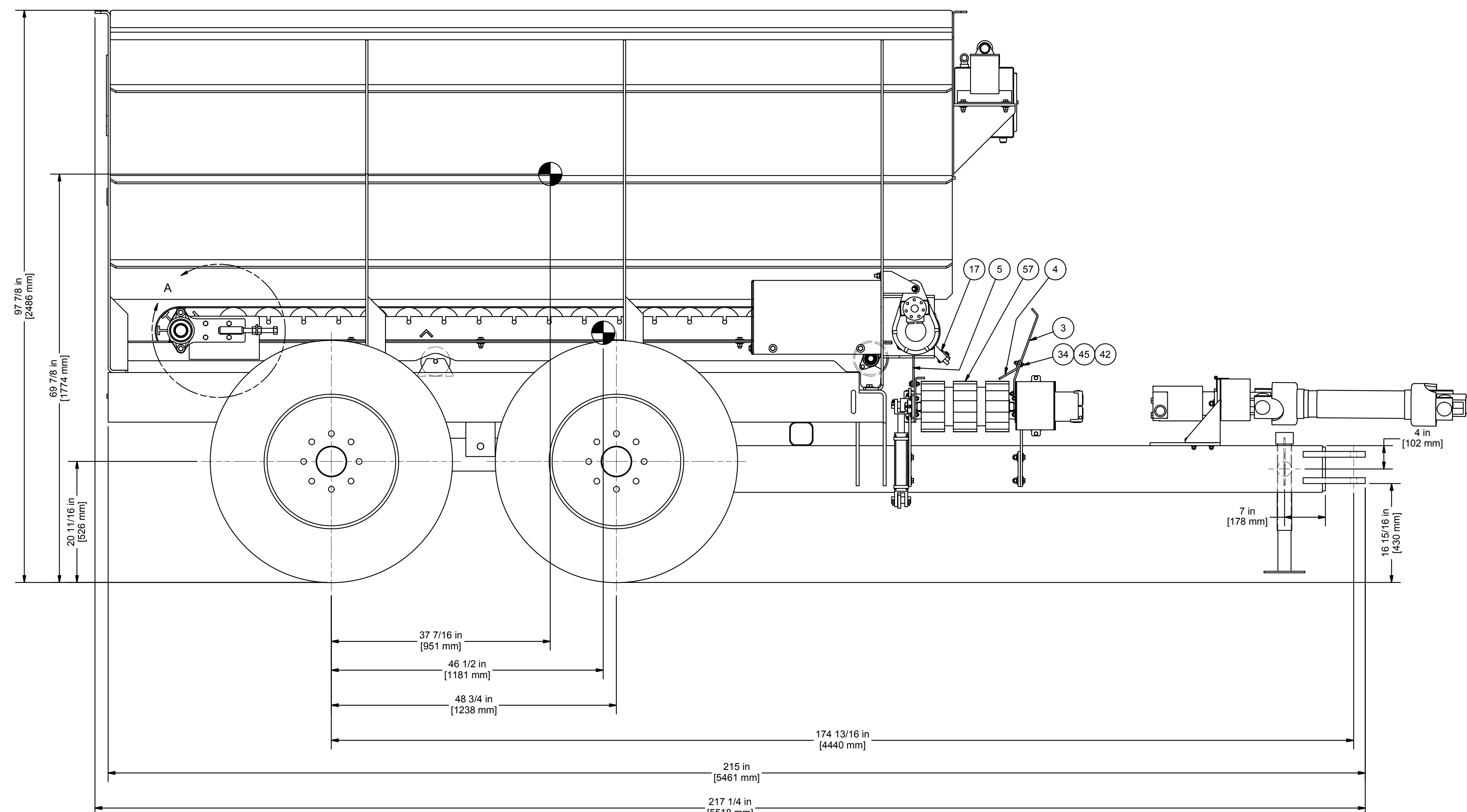
ISOMETRIC VIEW



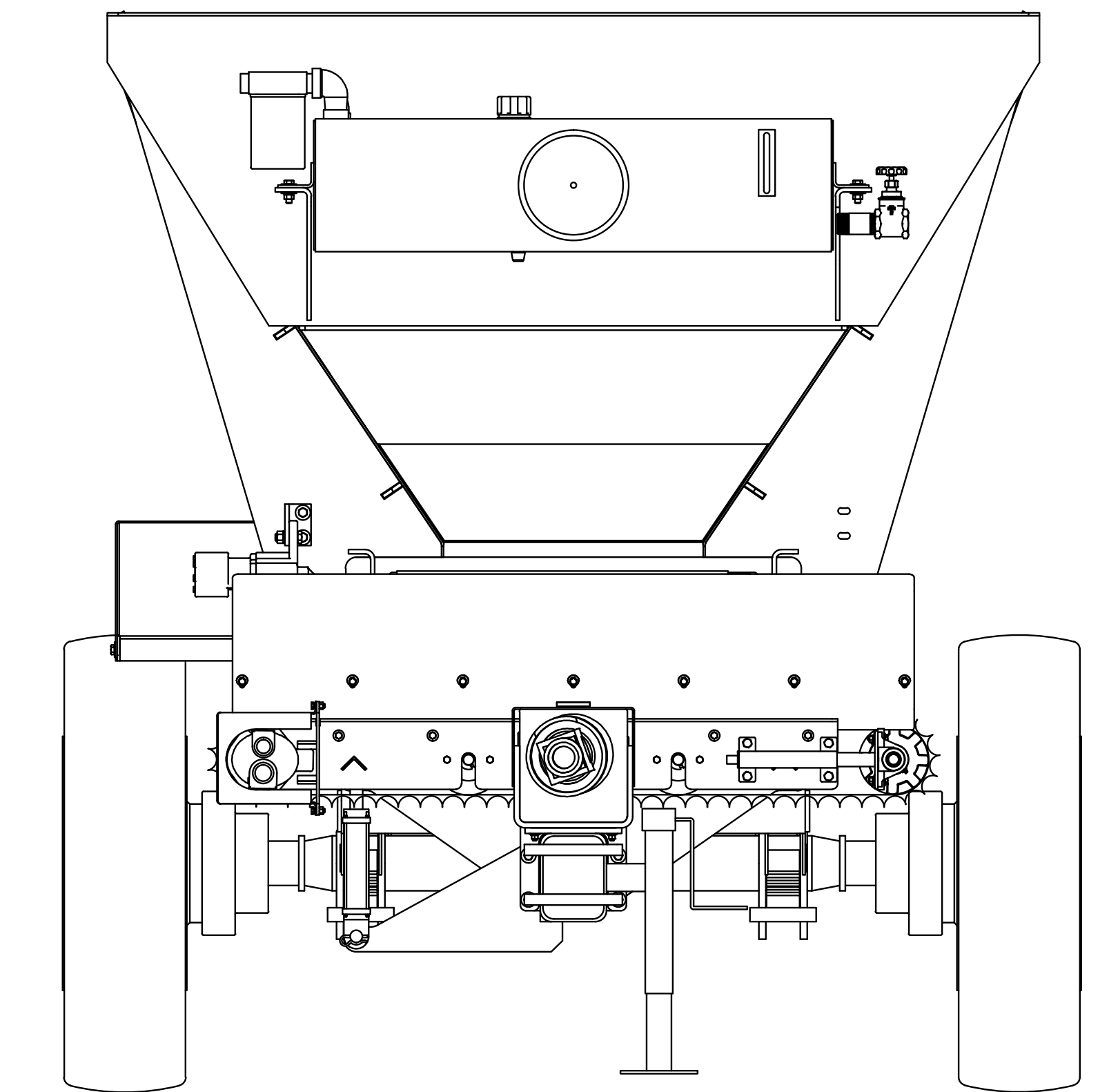
DETAIL A
SCALE 17:6



ASSEMBLY END VIEW
SCALE 1:12



ASSEMBLY SIDE VIEW
SCALE 1:12



DISCHARGE END VIEW
SCALE 1:12

THE LOADED WEIGHT OF THIS MACHINE IS 32,000 LBS. WHEN DESIGNING THE SUPPORTING STRUCTURE, A FACTOR OF SAFETY SHOULD BE APPLIED TO THE MACHINE LOADED WEIGHT PER THE FOLLOWING CHART:

FACTOR	VERTICAL LOADS		HORIZONTAL LOADS	
	N/A	N/A	LATERAL	TRANSVERSE



WEIGHT 8,000 LBS	SHEET NUMBER 1 OF 1	SCALE 1:12	PART NUMBER GA-STALL-08M
DESIGNED BY RJP	DESIGNED BY RJP	DESIGNED BY RJP	DESIGNED BY RJP
APPROVED BY RJP	APPROVED BY RJP	APPROVED BY RJP	APPROVED BY RJP
DATE 11/11/11	DATE 11/11/11	DATE 11/11/11	DATE 11/11/11

REVISIONS