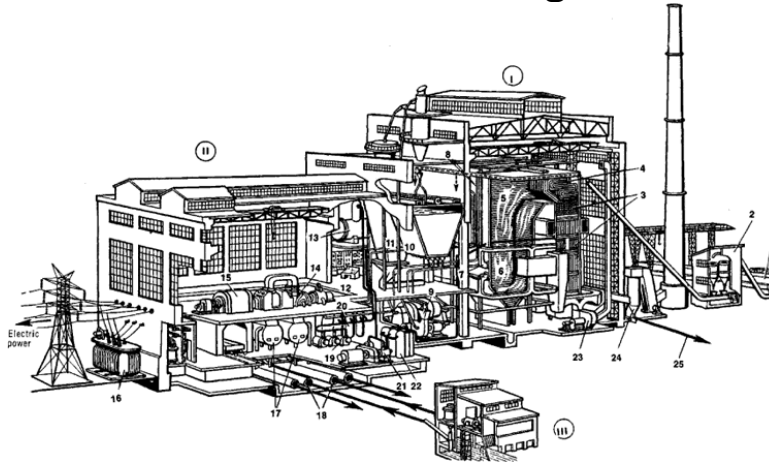


National Air Compliance Training Program

# Industrial Boilers

## NACT 273 – Online Agenda



- 10:00 Introductions, Course Overview, Boiler Uses
- 10:30 Terminology and Boiler Types
- 10:45 Theory and Operation of Boilers
- 11:30 Boiler Components and Designs
- 12:15 Lunch
- 1:15 Emissions and Control Techniques
- 2:15 Boiler Regulations and Permits
- 2:45 Break
- 3:00 Monitoring, Source Testing, Inspections, and Safety
- 3:30 Review and Discussion, Final Examination
- 4:00 Adjourn

September 2020