



LED Home Theater Projector
Proyector de cine en casa LED
Projecteur de cinéma maison LED



User Guide
Manual De Usuario
Guide de l'utilisateur



Model: VP-100W

www.impecca.com

TABLE OF CONTENTS

Important Safety Instructions.....	3
Safety: Cautions & Warnings.....	4
What's in the Box.....	6
Product Diagram.....	7
Remote Control Buttons and Features.....	8
Buttons on the projector.....	8
Installing Your Projector.....	9
Plugging In Power and Source Devices.....	10
Powering on and Adjusting The Image.....	11
Basic Operation.....	11
The Main Menu System.....	13
Using External Speakers and Headphones.....	14
Care Instructions.....	15
Specifications.....	16
Troubleshooting Tips.....	16
Customer Support.....	17
One Year Limited Warranty (US).....	18
Español.....	20
Français.....	38

IMPORTANT SAFETY INSTRUCTIONS

	CAUTION / ATTENTION RISK OF ELECTRIC SHOCK, DO NOT OPEN RISQUE D'ELECTROCUTION, NE PAS OUVRIR.	
CAUTION: TO REDUCE THE RISK OF ELECTRIC SHOCK, DO NOT REMOVE COVER (OR BACK). NO USER-SERVICEABLE PARTS INSIDE. REFER SERVICING TO QUALIFIED SERVICE PERSONNEL.		



The lightning flash with arrowhead symbol, within an equilateral triangle is intended to alert the user to the presence of uninsulated dangerous voltage within the product's enclosure that may be of sufficient magnitude to constitute a risk of electric shock.



The exclamation point within an equilateral triangle is intended to alert the user to the presence of important operating and maintenance (servicing) instructions in the literature accompanying the appliance.

WARNING: TO PREVENT FIRE OR SHOCK HAZARD, DO NOT EXPOSE THIS APPLIANCE TO RAIN OR MOISTURE. TO PREVENT THE SPREAD OF FIRE, KEEP CANDLES OR OPEN FLAMES AWAY FROM THIS PRODUCT AT ALL TIMES.
CAUTION: TO PREVENT ELECTRIC SHOCK. DO NOT USE THIS POLARIZED PLUG WITH AN EXTENSION CORD, RECEPTACLE OR OTHER OUTLET UNLESS THE BLADES CAN BE FULLY INSERTED TO PREVENT BLADE EXPOSURE.

WARNING: This equipment has been tested and found to comply with the limits for a Class B digital device, pursuant to Part 15 of the FCC Rules. These limits are designed to provide reasonable protection against harmful interference in a residential installation. This equipment generates, uses and can radiate radio frequency energy and, if not installed and used in accordance with the instructions, may cause harmful interference to radio communications.

However, there is no guarantee that interference will not occur in a particular installation. If this equipment does cause harmful interference to radio or television reception, which can be determined by turning the equipment off and on, the user is encouraged to try to correct the interference by one or more of the following measures:

- Reorient or relocate the receiving antenna.
- Increase the separation between the equipment and receiver.
- Connect the equipment into an outlet on a circuit different from that to which the receiver is connected.
- Consult the dealer or an experienced radio/TV technician for help.

CAUTION: Changes or modifications not expressly approved by the party responsible for compliance with the FCC Rules could void the user's authority to operate this equipment.

<p>FCC Declaration or Conformity Compliance statement (Part 15):</p> <p>This device complies with Part 15 of the FCC rules. Operation is subject to the following two conditions: (1) this device may not cause harmful interference, and (2) this device must accept any interference received, including interference that may cause undesired operation. The party responsible for compliance to these rules is:</p> <p>IMPECCA USA Wilkes Barre, PA https://www.impecca.com service@impecca.com</p>

CHILD SAFETY

The projector should always be placed on proper, stable surfaces or installed according to the manufacturer's recommendations. Don't allow children to climb on or play with the projector and its surroundings. Route all cords and cables so that they cannot be pulled or grabbed by curious children.

The warranty does not cover product failure due to improper installation. The unit and its accessories should not be adjusted or repaired by anyone except qualified service personnel.

**PROPER DISPOSAL**

This marking indicates that this product should not be disposed of with other household waste. To prevent possible harm to the environment or human health from uncontrolled waste disposal, it should be disposed of at the disposal center recommended by your municipality. Please do not dispose of this unit in a domestic garbage receptacle.

Please read and adhere to all safety instructions in this User Guide. All governing codes and ordinances must be observed. If you are uncomfortable or unable to perform any of the steps in this guide, please consult a certified professional.

**SAFETY: CAUTIONS & WARNINGS****DANGER: ELECTRICAL SHOCK HAZARD**

Touching the internal components of this device can cause serious personal injury or even death. Do not disassemble this unit.

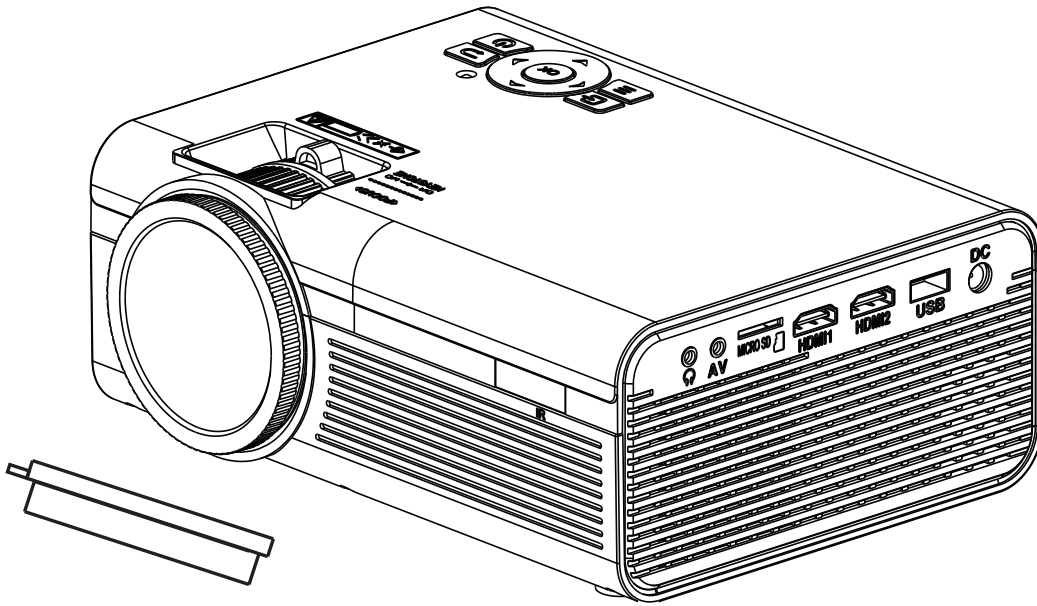
- Do not tamper with or stare directly into the projector lens!
- Do not use an extension cord with this unit!
- Carefully review all of these instructions and warnings in the BEFORE operating your Projector. Failure to do so may cause fires, damage, injury, or bodily harm.
- Do not use this product near water.
- Do not block any ventilation openings. Install in accordance with the manufacturer's instructions.
- Do not install near any heat sources such as radiators, heat registers, stoves, or other devices (including amplifiers) that produce heat.
- Protect the power cord from being walked on or pinched.
- Use only with a cart, stand, bracket, or table allowed by the manufacturer. If a cart is used, use caution when moving it to avoid it tipping over and causing injury.
- Unplug this unit during lightning storms or when unused for a long period of time.
- Refer all servicing to qualified service personnel. Servicing is required when the unit or its or cord has been damaged in any way, such as the unit being dropped or exposed to water.
- **NEVER** expose this product to water, rain, or moisture. Objects filled with liquids, such as vases, should not be placed on or near the projector or its cables.
- Do not overload wall outlets, as this can result in fire or electric shock.

- Do not push objects through any openings in this unit, as they may touch dangerous voltage points or short-out parts that could result in fire or electric shock. Never spill or spray any type of liquid into the unit.
- This unit should only be serviced by qualified service technicians. Contact technical support for information regarding your closest authorized service center for further examination, repair, or adjustment to your unit.
- Do not immerse the cord or plug in water. Keep the cord away from hot surfaces. Do not let the cord hang over the edge of a table or stand. Do not operate this unit if the cord or plug is damaged or is not working correctly.
- When replacement parts are required, be sure the service technician uses replacement parts allowed by the manufacturer. Unauthorized substitutions may result in fire, electric shock, or other hazards.
- Upon completion of any service or repairs to this unit, ask the service technician to perform safety checks to determine that the unit is in proper operating condition.
- When you connect the product to other equipment, turn off the power and unplug all of the equipment from the wall outlet. Failure to do so may cause an electric shock and serious personal injury. Read the owner's manual of the other equipment carefully and follow the instructions when making any connections.
- Sudden high volume sound may cause hearing or speaker damage. When using headphones, keep the volume at a moderate level to avoid hearing damage.
- Do not allow the product to output loud, distorted sound for an extended period of time. It may cause speaker overheating and fire.

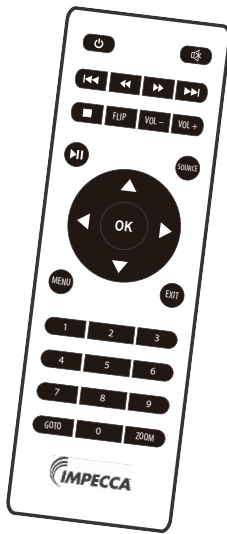
WHAT'S IN THE BOX

Thanks for purchasing this LED Home Theater Projector from Impecca! This unit comes with a remote and supports HDMI, AV and VGA inputs. It also accepts USB and SD Micro media and can connect to Bluetooth speakers!

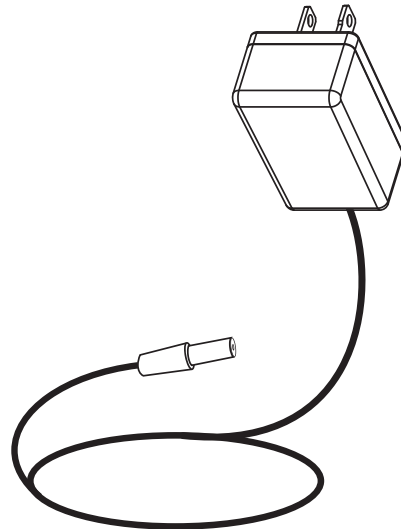
You should have received the following in the box along with this manual:



Projector unit and lens cover



Remote control



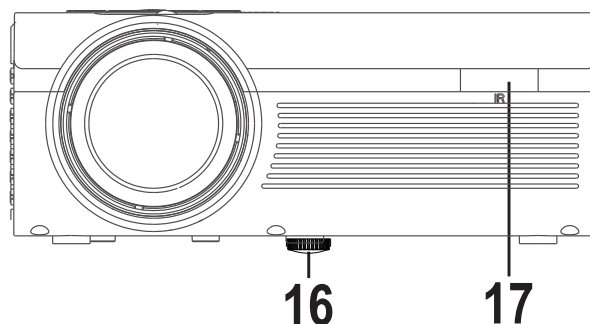
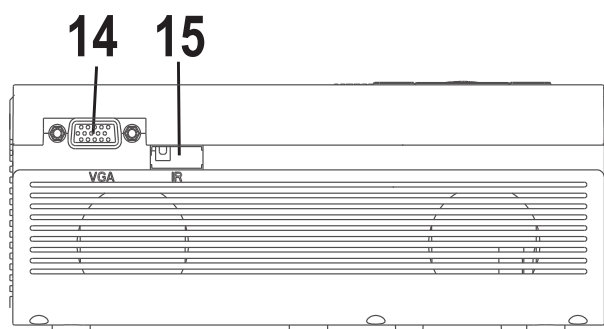
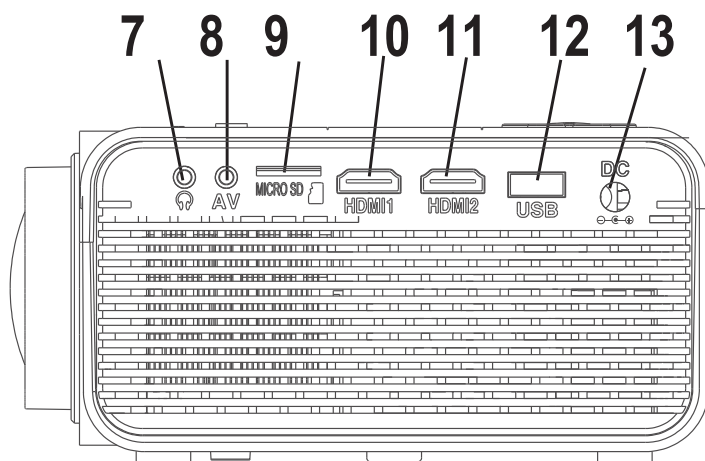
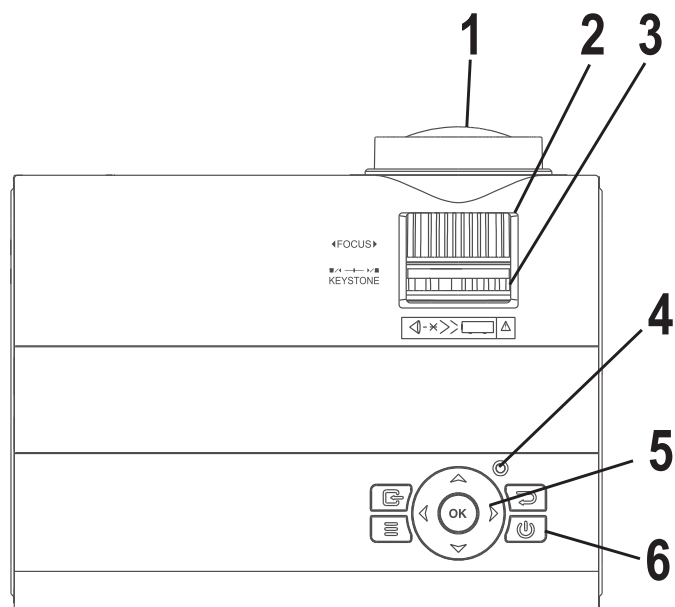
Power adapter

PRODUCT DIAGRAM

ENGLISH

ESPAÑOL

FRANÇAIS

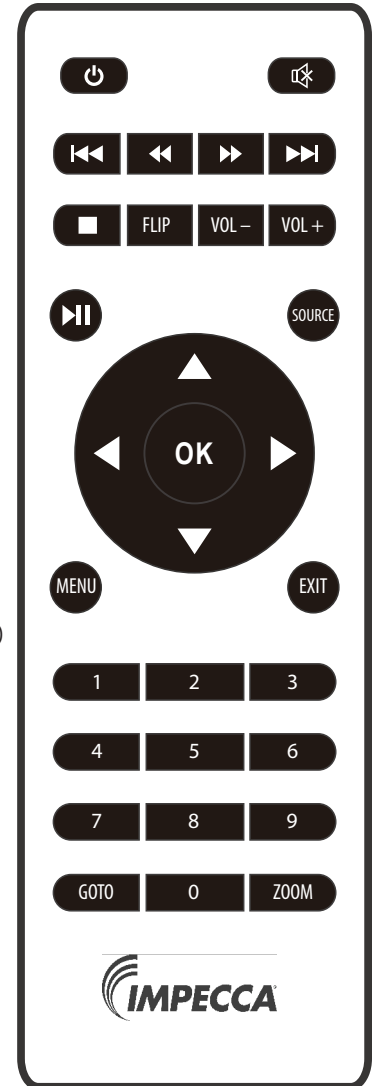


1. Lens
2. Focus Adjustment Knob
3. Trapezoidal Adjustment Knob
4. Power Indicator
5. Menu/Navigation Buttons
6. Power Button
7. Earphone Jack
8. 3.5 mm AV out Jack
(for both audio and video)

9. Micro SD Card
10. HDMI Port 1
11. HDMI Port 2
12. USB Port
13. DC IN Jack
14. VGA Port
15. IR Window (Rear)
16. Angle Adjustment Knob
17. IR Window (Front)

REMOTE CONTROL BUTTONS AND FEATURES

1. **Power:** Power ON / OFF
2. **MUTE:** Mute/unmute the sound
3. **PREVIOUS / NEXT**
Press to skip chapter or track number (USB / SD mode)
4. **STOP: STOP PLAYBACK**
5. **FLIP:** Press to flip/rotate the image for different types of projection (see the rotate settings in the "Installing Your Projector" section).
6. **VOL +/-:** Unmute or increase / decrease the volume level
7. **Play or pause** an individual chapter or track
8. **SOURCE:** Press to select the input source (AV, HDMI1, HDMI2, VGA, Media Player)
9. **▲/▼/◀/▶ OK:** Press to navigate and confirm selections in Settings and other menus.
10. **MENU:** Enter the Projector's Main Menu to adjust settings
11. **EXIT:** Exit from the current menu
12. **0-9 / GOTO:** Press 0-9 to select a chapter or track number (USB / SD mode)
13. **ZOOM:** Press to cycle through various zoom levels of the image. Zoom 2x -> 4x -> 8x -> 1/4x -> 1/2x -> 1x (normal)
14. **BACK / FWD** Search through an individual chapter or track



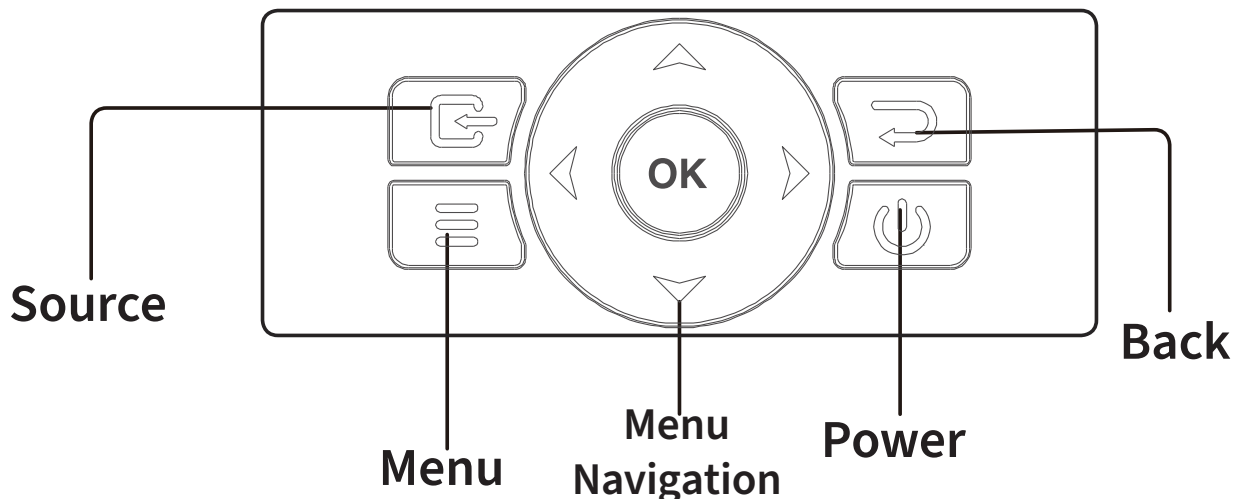
INSTALLING THE BATTERIES FOR THE REMOTE

To use the remote, you must first install the 2 AAA batteries (not included). Ensure they are inserted facing the correct direction, matching the + and - symbols in the battery compartment of the remote.

NOTE: Do not mix old and new batteries. Do not mix alkaline with standard (carbon-zinc) or rechargeable (ni-cad, ni-mh, etc.) batteries.

BUTTONS ON THE PROJECTOR

These buttons on the top of the projector function the same way as they do on the remote:



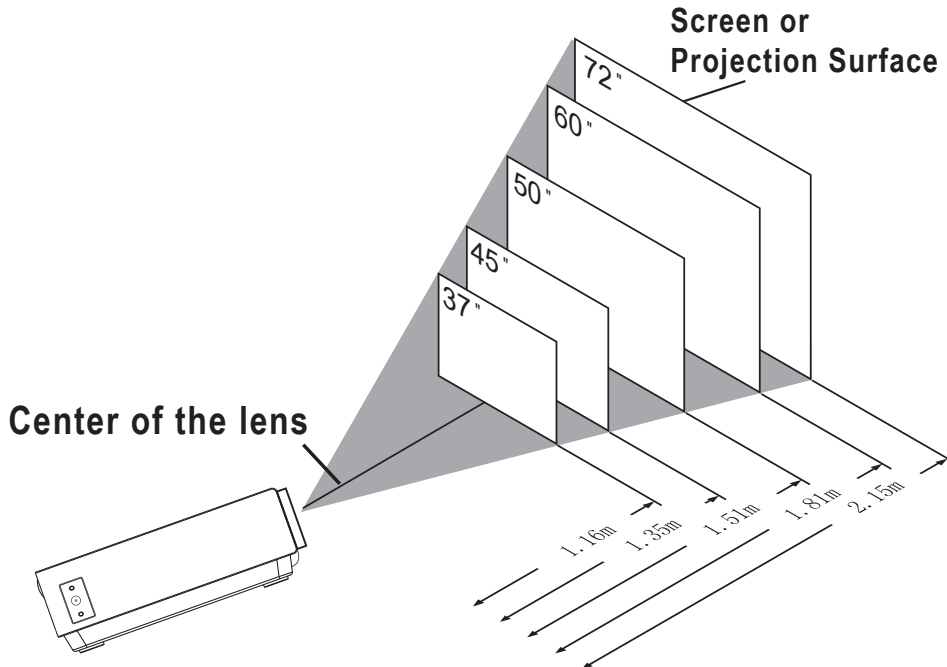
INSTALLING YOUR PROJECTOR

The projector can be placed on a table or other similar, stable surface. It can also be mounted to the ceiling. Professional installation is recommended for a ceiling mount installation.

Warning: To avoid danger, please do not install the projector near water or extreme heat. Do not block the ventilation on the back of the projector. **10 cm (4 inches)** of free space must be available around the entire unit.

DETERMINING DISTANCE AND LOCATION FOR THE PROJECTOR

You may wish to measure the distance from the lens to the surface that the image will be projected on. This will give an idea of how big the projected image will be.



IMPORTANT: For any type of installation other than front table projection, you will need to rotate the image. This can be done with the **Flip** button, or by noting the **Rotate** setting below and changing it in the **Options** section of the **Settings** menu (covered later in the guide)

PLACING THE PROJECTOR ON A TABLE

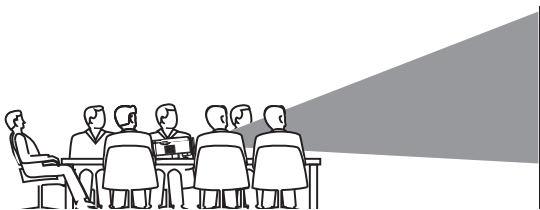


Table (Front Projection)

Rotate Setting: 0



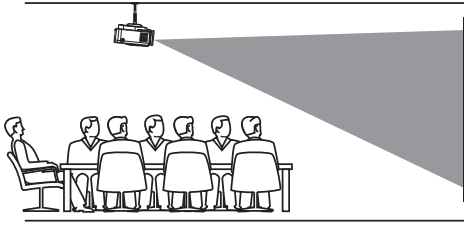
Table (Front Projection)

Rotate Setting: 3

Select a safe, stable surface and *center* the projector lens on the surface it will be projecting on. Try to make sure that the projection *surface* is parallel with the front of the projector so that the projection is casting to the screen directly and is not angled to the left or right.

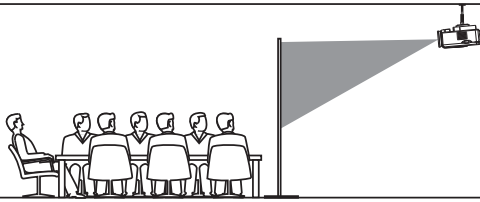
The angle adjustment knob can later be used to raise or lower the angle of the projector. This will raise or lower the projected image.

MOUNTING THE PROJECTOR TO THE CEILING



Ceiling Mount (Front Projection)

Rotate Setting: 2



Ceiling Mount (Rear Projection)

Rotate Setting: 1

The projector does not ship with the necessary mounting hardware for ceiling mount installation. It does, however, have a built-in hanger hole to allow for this type of installation.

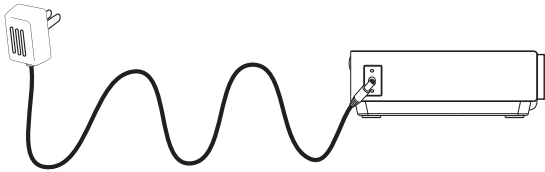


Professional installation is strongly recommended for mounting the projector to the ceiling. If you are not skilled and comfortable with mounting it to the ceiling, do not perform a ceiling installation. Never perform any installation without assistance.

PLUGGING IN POWER AND SOURCE DEVICES

Before powering on the projector:

1. Attach the AC power adapter (included).

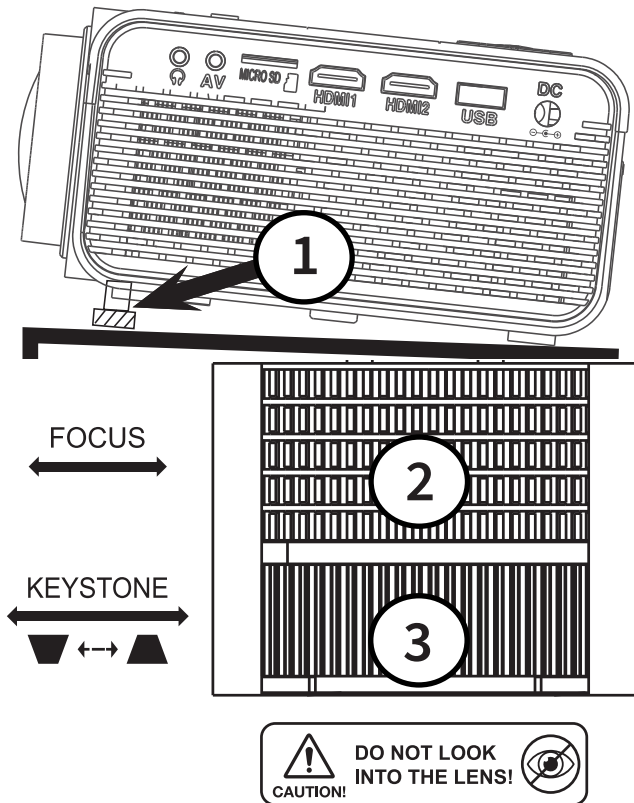


Note: Plug the power cable into the projector *first* and then into the power socket.

2. Attach any HDMI, VGA, or AV cables (not included) to the projector and also to their source (DVD player, computer, etc.).
3. Insert any USB drives or SD cards that will be used.

Note: If you change or remove any cables, USB cards or SD cards at a later time, be sure to power off the projector first, make the cabling adjustments and then power back on.

POWERING ON AND ADJUSTING THE IMAGE



Make sure that all of your video and audio cables are connected and any USB or SD devices have been inserted. Then, power on the projector by pressing **power** on the projector or the remote. The power indicator light will turn green. After powering on, use the **angle adjustment knob (1)** (if table mounted) to lower or raise the projector's angle as needed so that it hits the right area of the projection surface. You'll then want to focus the image by rotating the **focus knob (2)**. Depending on the size of the projection, the edges of the image may be less sharp than the rest of the image. This is normal.

If the image is projected at a vertical angle, it may be wider at the top or bottom (referred to as a trapezoidal shape). In this case, use the **keystone knob (3)** to adjust the image.

POWERING OFF

To power off the projector, simply press **POWER** twice. After the first press, you will see a prompt saying that pressing power again will turn the unit off and that any other key will cancel the power-down. **Place the lens cover on the projector when it is not in use.**

BASIC OPERATION



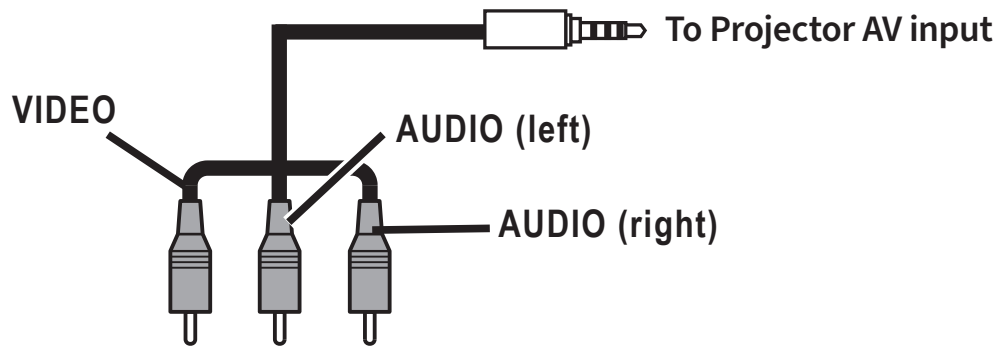
Press the **SOURCE** button to display the Input Source Menu.

Press **▼ / ▲** or **SOURCE** button to select the input source, then Press **OK** to select it.

You can press **EXIT** to quit the Input Source menu.

AV INPUT

The "AV" input on the projector is for older RCA connections and requires a 3.5 mm AV cable, such as the following:



HDMI1 AND HDMI2

Simply connect your HDMI source to these inputs. HDMI cables carry both video and audio.




VGA (PC INPUT)

The VGA input supports the following resolutions. You may need to set your PC display settings to one of these video modes (at one of the listed refresh rates) before connecting it to the projector and selecting VGA as the input with the **SOURCE** button. Note that VGA is a video-only connection and does not carry audio.

Resolution	Hz (refresh rate)
640 x 480	60, 70, 72, 75
800 x 600	50, 56, 60, 70, 72, 75
1024 x 768	50, 60, 70

MEDIA PLAYER MODE (USB / SD CARDS)

Your projector has both a USB port and an SD card slot for media playback. Each slot supports a card or drive of up to 32GB capacity. The projector supports viewing or playback of .jpg, mp3, or mpeg video. Press **SOURCE** and select the Media Player. Select USB or SD if necessary, then the media player interface will appear, allowing you to play back the content. Most of the play controls are self-explanatory, but here is an explanation of some of the extra features that you can select during playback:

 Manage Playlist	 Slow motion (video)
 Display information about the current media	 Step forward one frame (video)

Remember:

- Only 200 files per folder are supported. Please make sure pictures and other media do not exceed this limit.
- When adding or removing USB or SD media, power off the projector first, change the media, then power back on.

THE MAIN MENU SYSTEM



Press **MENU** to enter the main menu system. This is where you can view or change the projector's settings. There are four primary sections in the menu.



Use the 4-way directional button on the projector or remote to select the Menu section on the left. Press OK or ► to enter that menu.

Let's review some features in each of these menu sections.

PICTURE MENU

This menu allows you to change the display to better match the projection surface.

Picture Mode allows you to select pre-set styles *Vivid*, *Soft*, or *Standard* or you can set it to "User" to adjust this yourself.

Aspect Ratio may be set to 16:9, 4:3 or "auto" as seen here. **Noise Reduction** smooths out the static/pixels and may be useful for some sources. The **Screen** option at the bottom brings an additional menu which lets you manually adjust the position or size of the projected image.

Picture Mode	Standard
Contrast	50
Brightness	50
Color	50
Sharpness	50
Color Temperature	Medium
Aspect Ratio	Auto
Noise Reduction	Mid
Screen	

SOUND MENU

Sound mode can be selected here just as it is in the picture mode menu. You can select *Music*, *Movie*, *User (custom)*, *Sports*, or *Standard*. If you find it necessary to frequently adjust the volume with the audio source you are using,

Auto Volume may be useful for that as it will automatically regulate the sound level.

Sound Mode	Standard
Treble	50
Bass	50
Balance	0
Auto Volume	Off
Surround Sound	Off

OPTIONS MENU

This menu allows you to change the **language**, activate **Bluetooth** (covered later) or select **Restore Factory** to restore the projector to factory settings. **Panel Rotate** is the setting used to rotate the image if the projector is used for anything other than front table projection. See the "Installing Your Projector" section for the correct setting. **Info** provides technical info on the projector.

OSD Language	English
Bluetooth	
Restore Factory	
Panel Rotate	0
Info	

Languages Sub menu

Move the cursor selection around the grid to select a language. Supported languages are:

Chinese, Dansk, Deutsch, English, Esky, Espanol, Francais, Hrvatski, Italiano, Magyar, Nederlands, Norsk, Polski, Portugues, Romnete, Slovak, Slovenian, Srpski, Suonio, and Svenska



TIME MENU

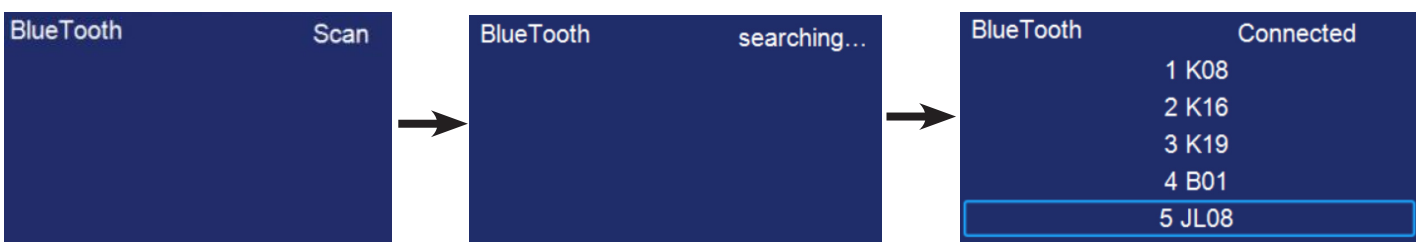
This menu allows you to set the system time or set a sleep timer to automatically power down (Press **Power** to exit sleep mode). You can also set an "on time" or "off time" for the unit to power on or off. This is only for a single instance and does not repeat on the next day.

Clock	-- --
Off Time	Off
On Time	Off
Sleep Timer	Off
Auto Sleep	Never

USING EXTERNAL SPEAKERS AND HEADPHONES

BLUETOOTH PLAYBACK

The projector has its own speakers built-in but can also be paired with Bluetooth speakers. Bluetooth is disabled by default. Enable Bluetooth in the **Options** menu described in the previous section by selecting **Bluetooth** in the **Options** menu and turning it on. You will see a prompt to scan for Bluetooth devices.



Enable Bluetooth on the receiver (external speakers, sound bar, etc.) to which you wish to connect. Devices such as smartphones, tablets, or computers are not Bluetooth *receivers* and will *not* connect to the projector. To eliminate confusion, you can disable Bluetooth on all receivers to which you do not wish to connect.

Make sure the Bluetooth speaker is ready to pair with the projector and press **OK** on this screen to scan for speakers. Select the Bluetooth speaker on the projector screen and press **OK**. You will see a "Bluetooth connected" message once pairing has completed. The projector should remember this connection in the future. If the Bluetooth speaker you've paired is powered on and nearby with the projector is turned on again, the speaker should automatically be paired up. If not, return to the **Options** menu and perform the same steps again to pair with that Bluetooth speaker or another one.

AUDIO OUT

The headphone jack (seen in the product diagram at the beginning of this guide) can be used with headphones. You can also connect speakers here, just as you would to connect computer speakers to a PC. This requires a 3.5 mm to RCA audio cable.

CARE INSTRUCTIONS

PROTECTING THE LENS

Always place the lens cover on the projector when it is not in use.

CLEANING

- 1. Turn off the Projector and unplug the power cable** before cleaning.
- Clean the Projector with 100% cotton cloth or micro-fiber cloth.
 - Use a dry cloth if possible. If necessary, use a damp (but not wet) cloth and then a dry cloth afterward. Do not use abrasive chemicals (such as alcohol, rosin, or toluene).
3. Use lens paper to clean the lens. Be careful not to scratch it.

CONDENSATION

Moisture may form on the unit if it is moved from cool surroundings into a warm room or if the temperature of the room rises suddenly. When this happens, the unit's performance may be impaired. To prevent this, let the unit stand in its new surroundings for about an hour before switching it on, or make sure that the room temperature rises gradually.

SPECIFICATIONS

ENGLISH

ESPAÑOL

FRANÇAIS

Brightness Output	White light output ANSI: 50.7 Lumens LED light output: 2800 Lumens LED life: est. 20,000+ hours
Native Display Resolution	800 x 480
Supported HDMI Video Modes	1080p, 1080i, 720p, 576i, 480p, and 480i
Power Consumption	Operating 36W; Standby 1W
Power Input Rating	DC 12V, 3.5A
Power Adapter Specs	Input AC100-240V,50/60Hz Output DC12V, 3.5 A
Display Color	7000-8000K
Projection Size	30-100 inch
USB Drive and SD card support	Up to 32GB Capacity Formats: mpeg1, mpeg2, mpeg4, mp3, jpeg
Weight	0.9 KG
Dimensions	203 x 150 x 82 mm
Bluetooth Revision	BT 5.0

TROUBLESHOOTING TIPS

PROBLEM	POSSIBLE CAUSE
No Image is Projected or a "No Signal" message is displayed	<ul style="list-style-type: none"> Is the power light on? If it is not on, check that the projector is plugged into a working outlet, and then press the power button on the projector. If power is on, check that the lens cover has been removed. Check that the cables are securely attached. The image source may not be set correctly. Press the SOURCE button on the Control Panel or the Remote to select the correct setting.
The Lamp (bulb) switches off after a period of time	<ol style="list-style-type: none"> Leave the projector to cool for a few moments. Once cooled, check if anything is blocking the ventilation vents. Turn on the projector. <p>If the issue persists, please contact your support provider for further assistance.</p>
Image is wider at the top/bottom of the screen	This is called the "keystone effect" and is due to the projection angle not being perpendicular to the screen. To correct this, use the keystone adjustment to correct the image.
Spots on the screen	Use a portable vacuum cleaner to clean the lens. If cleaning doesn't help, please contact your support provider for further assistance.
Image brightness has faded	This could possibly be caused by the ambient light in the room. Turn off lights or place cutrains over any windows as needed. If the room is dark and the projection is still faint, you may need to have the lamp (bulb) replaced.

CUSTOMER SUPPORT

Before contacting customer support, please see the troubleshooting section above.

Visit our website to contact us, find answers to Frequently Asked Questions, and for other resources which may include an updated version of this user's guide.

 WWW.IMPECCA.COM

If you wish to contact us by phone, please be sure to have your model number and serial number ready and call us between 9:00am and 6:00pm ET, at +1 866-954-4440.

Keep tabs on Impecca's newest innovations & enter contests via our social network feeds:

 www.facebook.com/Impecca/

 www.instagram.com/impecca/

 @impeccausa

ONE YEAR LIMITED WARRANTY (US)

ENGLISH

ESPAÑOL

FRANÇAIS

IMPECCA ONE YEAR LIMITED WARRANTY

Impecca® warrants this product against defects in material and workmanship to the original purchaser as specified below. Please register your product online within fourteen (14) days of purchase.

PARTS - if the product is determined to have a manufacturing defect, within a period of one (1) year from the date of the original purchase, Impecca® will repair or replace the product parts at no charge (for parts) to consumers in the U.S.A. and Canada.

LABOR - if the product is determined to have a manufacturing defect, within a period of ninety (90) Days from the date of the original purchase, Impecca® will repair or replace the product at no charge to consumers in the U.S.A. and Canada. After ninety (90) days, it will be the responsibility of the consumer.

Shipping costs to and from our warranty service center are the sole responsibility of the consumer.

To obtain warranty service by an authorized Impecca® service center, please email us at: service@impecca.com to obtain a Repair and Maintenance Authorization (RMA) number and to locate the Warranty Service Center nearest you. Once authorized, you must mail the product to the authorized Impecca® service center in its original product packaging materials or equivalent, to prevent damage while in transit.

Further, should Impecca® determine that the product is outside of the Warranty terms, Impecca® will return the product to sender at sender's expense without being repaired or replaced, unless authorized by the consumer to service the out-of-warranty product at consumer's expense. All handling or restocking charges for returns and/or replacements shall be non-refundable.

Impecca® specifically excludes from this warranty any non-electric/mechanical attachments, accessories, and disposable parts including, but not limited to, outside case, connecting cables, batteries, and AC adapters. Impecca® reserves the right to repair or replace defective products with the same, equivalent, or newer models.

We reserve the right to either repair or replace product at our discretion. Replacement may be either new or refurbished and while every endeavor will be made to ensure it is the same model, if same model is not available, it will be replaced with a model of equal or higher specification.

Normal "Wear and Tear" is not covered by this, or any other, warranty. Further, Impecca® hereby reserves the right to determine "Wear and Tear" on any and

all products. Tampering or opening the product casing or shell will void this warranty in its entirety.

In addition, this warranty does not apply if the product has been damaged by accident, abuse, misuse, or misapplication; has been altered or modified without the written permission of Impecca®; has been serviced by a non-authorized repair center of Impecca®; has not been properly maintained or operated according to the operation manual; has been used for commercial, non-household purposes; has been cosmetically damaged; was not imported by Impecca®; was not manufactured according to specification of the United States market; was damaged due to improper installation or neglect by the consumer; was damaged due to improper packaging in shipment to the Warranty Service Center; was damaged due to natural disasters; or if the serial number for the product has been removed or defaced.

ALL IMPLIED WARRANTIES, INCLUDING IMPLIED WARRANTIES OF MERCHANTABILITY AND FITNESS FOR A PARTICULAR PURPOSE ARE LIMITED IN DURATION TO ONE (1) YEAR PARTS AND NINETY (90) DAYS LABOR FROM THE DATE OF THE ORIGINAL RETAIL PURCHASE OF THIS PRODUCT.

THESE WARRANTIES AND REMEDIES ARE THE SOLE AND EXCLUSIVE WARRANTIES AND REMEDIES IN CONNECTION WITH THE SALE AND USE OF THE PRODUCT. NO OTHER WARRANTIES, ORAL OR WRITTEN, EXPRESSED OR IMPLIED, ARE GIVEN.

IMPECCA® IS NOT RESPONSIBLE OR LIABLE FOR ANY DAMAGE, WHETHER SPECIAL, INCIDENTAL, CONSEQUENTIAL, DIRECT OR OTHERWISE, OR WHETHER KNOWN OR SHOULD HAVE BEEN KNOWN TO IMPECCA®, INCLUDING LOST PROFITS, GOODWILL, AND PROPERTY AND PERSONAL INJURY RESULTING FROM ANY BREACH OF WARRANTY, THE INABILITY TO USE THE PRODUCT OR UNDER ANY LEGAL THEORY IN CONTRACT OR TORT. IMPECCA LIABILITY IS LIMITED TO THE ACTUAL PURCHASE PRICE PAID TO THE RETAIL SELLER OF THE DEFECTIVE PRODUCT.

No Impecca® dealer, agent, or employee is authorized to make any modification, extension, change or amendment to this warranty without the written consent and authorization from Impecca®.

Some states do not allow the exclusion or limitation of implied warranties or liability for incidental or consequential damages, or do not allow a limitation on how long an implied warranty lasts, so the above limitations or exclusions may not apply to you. This warranty gives you specific legal rights, and you may have other rights, which vary from state to state.

Important: Be Sure to Register Your Product at WWW.IMPECCA.COM within 14 Days



Impecca® USA • PA 18711 • www.impecca.com • service@impecca.com

**Do not send any returns to this address, as they may be lost and this will delay your repair and service process.*

TABLA DE CONTENIDO

Instrucciones Importantes de Seguridad.....	21
Seguridad: Otras Precauciones y Advertencias.....	22
Qué Hay en la Caja.....	24
Diagrama del Producto.....	25
Botones del Control Remoto y Funciones.....	26
Botones en el Proyector.....	26
Instalando su Proyector.....	27
Conectando al Suministro de Corriente y Dispositivos Fuente.....	28
Encendiendo su Equipo y Ajustando la Imagen.....	29
Operación Básica.....	29
El Sistema del Menú Principal.....	31
Usando Altavoces Externos y Auriculares.....	32
Instrucciones de Cuidado.....	33
Especificaciones.....	34
Consejos Para la Solución de Problemas.....	34
Soporte al Cliente.....	35
Garantía.....	36
Français.....	38

INSTRUCCIONES IMPORTANTES DE SEGURIDAD

	PRECAUCIÓN/ATENCIÓN EXISTE EL RIESGO DE DESCARGA. NO ABRA. RIESGO DE ELECTROCUCIÓN.	
PRECAUCIÓN: PARA DISMINUIR EL RIESGO DE DESCARGA ELÉCTRICA, NO RETIRE LA CUBIERTA (O PARTE POSTERIOR). NO CONTIENE PARTES ADENTRO A LAS QUE EL USUARIO PUEDA DARLES SERVICIO. REFIERA EL SERVICIO AL PERSONAL DE SERVICIO CALIFICADO.		



El símbolo de rayo con una flecha dentro de un triángulo equilátero tiene el propósito de alertar al usuario de la presencia de voltaje peligroso sin aislar dentro de la carcasa del producto que puede ser de magnitud suficiente para constituir un riesgo de descarga eléctrica.



El símbolo de exclamación dentro de un triángulo equilátero tiene el propósito de alertar al usuario de la presencia de instrucciones de operación y mantenimiento importantes (servicio) en la literatura que acompaña a este aparato.

ADVERTENCIA: PARA EVITAR UN INCENDIO O PELIGRO DE DESCARGA, NO EXPONGA ESTE APARATO A LA LLUVIA O HUMEDAD. PARA EVITAR QUE EL FUEGO SE EXPANDA, MANTENGA LAS VELAS O LLAMAS ABIERTAS LEJOS DE ESTE PRODUCTO EN TODO MOMENTO.
PRECAUCIÓN: PARA EVITAR UNA DESCARGA ELÉCTRICA, NO UTILICE ESTE ENCHUFE POLARIZADO CON UN CABLE DE EXTENSIÓN, RECEPTÁCULO U OTRA TOMA DE CORRIENTE A MENOS QUE LAS PATAS DEL ENCHUFE PUEDAN INSERTARSE COMPLETAMENTE EVITANDO QUE ESTÉN EXPUESTAS.

ADVERTENCIA: Este equipo ha sido probado y se encontró que cumple con los límites de los dispositivos digitales Clase B, relacionados con la Parte 15 del Reglamento de la FCC. Estos límites están diseñados para proporcionar protección razonable en contra de la interferencia dañina en una instalación residencial. Este equipo genera, usa y puede radiar energía de radiofrecuencia y si no se instala y se usa de acuerdo a estas instrucciones, puede causar interferencia dañina a las radiocomunicaciones.

Sin embargo, no hay garantía de que no ocurra interferencia en una instalación en particular. Si este equipo causa interferencia dañina a la recepción de radio o televisión, la cual puede determinarse al apagar y encender el equipo, se le anima al usuario a que intente corregir la interferencia con alguna de las siguientes medidas:

- Reorientar o reubicar la antena receptora
- Aumentar la separación entre el equipo y el receptor
- Conectar el equipo en un tomacorrientes o circuito diferente al que está actualmente conectado
- Pedir ayuda al proveedor o a un técnico especializado en radio/TV

PRECAUCIÓN: Los cambios o modificaciones que no estén expresamente aprobados por la parte responsable de cumplir con el Reglamento de la FCC pueden invalidar la autoridad del usuario para operar este equipo.

Declaración de Conformidad de Cumplimiento de la FCC (Parte 15): Este dispositivo cumple con la Parte 15 del reglamento de la FCC. La operación está sujeta a observar dos condiciones: (1) este dispositivo puede no causar interferencia dañina, y (2) este dispositivo puede aceptar cualquier interferencia recibida, incluyendo interferencia que puede causar la operación indeseable. La parte responsable por el cumplimiento de estas reglas es: IMPECCA USA Wilkes Barre, PA https://www.impecca.com service@impecca.com

SEGURIDAD DE LOS NIÑOS

El proyector siempre debe colocarse en superficies adecuadas y estables o instalarse de acuerdo con las recomendaciones del fabricante. No permita que los niños se suban o jueguen con el proyector y en sus alrededores. Dirija todos los cables conectados a la pantalla plana de modo que los niños curiosos no puedan tirar de ellos o agarrarlos.

La garantía no cubre los fallos del producto debidos a una instalación incorrecta. La unidad y sus accesorios no deben ser ajustados ni reparados por nadie, excepto por personal de servicio calificado.

DESECHE ADECUADAMENTE



Esta marca indica que este producto no debe ser desechado con el resto de la basura de la casa. Para evitar posibles daños al ambiente o salud de las personas debido al desecho de basura descontrolado, debe ser desechado en el centro de desechos recomendado por su municipalidad. Por favor, no tire esta unidad en un contenedor de basura doméstica.

Por favor, lea y respete todas las instrucciones de seguridad de esta Guía del Usuario. Deben observarse todos los códigos y ordenanzas vigentes. Si se siente incómodo o no puede realizar alguno de los pasos de esta guía, por favor consulte a un profesional certificado.

SEGURIDAD: OTRAS PRECAUCIONES Y ADVERTENCIAS

PELIGRO: RIESGO DE DESCARGA ELÉCTRICA

Tocar los componentes internos de este dispositivo puede causar graves lesiones personales o incluso la muerte. No desmonte esta unidad.

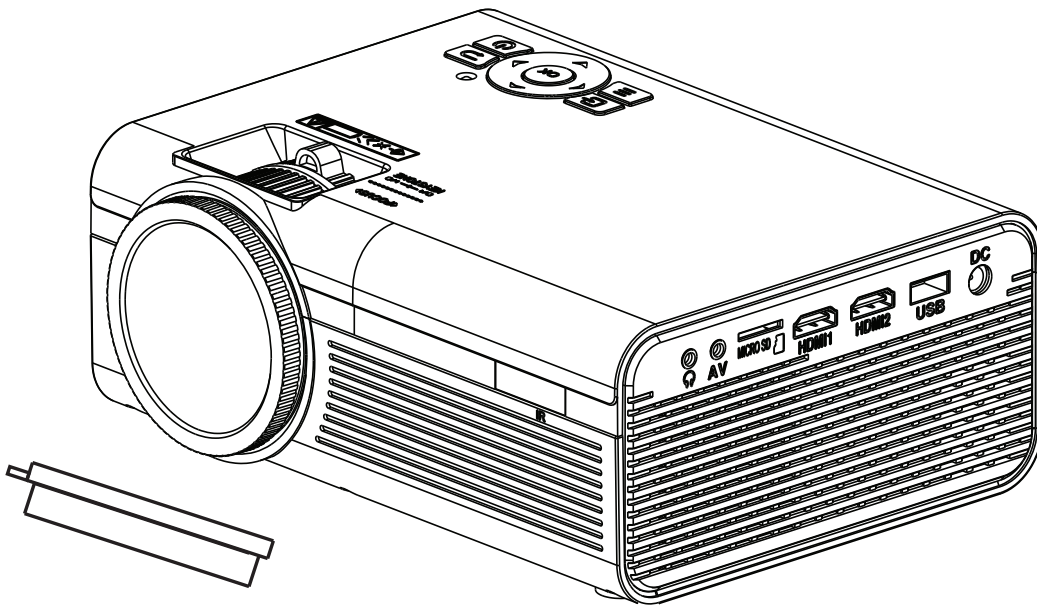
- ¡No manipule o mire directamente a la lente del proyector!
- No utilice un cable de extensión con esta unidad!
- Revise cuidadosamente todas estas instrucciones y advertencias en ellas ANTES de operar su proyector. Si no lo hace, puede provocar incendios, daños, lesiones o daños corporales.
- No utilice este aparato cerca del agua.
- No obstruya ningún orificio de ventilación. Instale de acuerdo con las instrucciones del fabricante.
- No instale cerca de ninguna fuente de calor como radiadores, registros de la calefacción, estufas u otros aparatos (incluyendo amplificadores) que producen calor.
- Proteja el cable de corriente para que no lo pisen o perforen.
- Utilice únicamente partes/accesorios especificados por el fabricante.
- Usar sólo con un carro, pedestal, soporte o mesa permitida por el fabricante. Si se utiliza un carro, tenga cuidado al moverlo para evitar que se vuelque y cause lesiones.

- Desconecte esta unidad durante las tormentas eléctricas o cuando no va a utilizarse por largos periodos de tiempo.
- Para cualquier servicio refiérase al personal de servicio calificado. Se requiere de servicio cuando el aparato ha sido dañado de alguna forma, como cuando el cable de suministro de corriente o el enchufe están dañados, el aparato ha estado expuesto al agua o se ha caído.
- **NUNCA** exponga este aparato a la lluvia o humedad. No deben colocarse sobre/cerca del proyector o cerca de los cables objetos llenos de líquido como floreros.
- No sobrecargue los tomacorrientes o cables de extensión, ya que esto puede resultar en riesgo de incendio o descarga eléctrica.
- No introduzca objetos en ninguna de las aperturas de esta unidad, ya que pueden tocar puntos de voltaje o poner en corto algunas partes que pueden resultar en un incendio o descarga eléctrica. Nunca derrame o rocíe ningún tipo de líquido en la unidad.
- Esta unidad sólo debe ser reparada por técnicos de servicio calificados. Póngase en contacto con el servicio técnico para obtener información sobre el centro de servicio autorizado más cercano para realizar más exámenes, reparaciones o ajuste a su unidad.
- No sumerja el cable o el enchufe en agua. Mantenga el cable alejado de las superficies calientes. No deje que el cable cuelgue sobre el borde de una mesa o un soporte. No utilice esta unidad si el cable o el enchufe están dañados o no funcionan correctamente.
- Cuando se requieran partes de reemplazo, asegúrese de que el técnico de servicio utilice las partes especificadas por el fabricante o que cuenten con las mismas características de la parte original. Las sustituciones no autorizadas pueden resultar en fuego, descarga eléctrica u otros peligros.
- Después de cualquier servicio o reparación de esta unidad , pídale al técnico de servicio que realice revisiones de seguridad para determinar que la unidad está en condiciones adecuadas de operación.
- Cuando conecte el producto a otro equipo, apáguelo y desconéctelo de la corriente. Al no hacerlo, puede causar una descarga eléctrica y lesiones serias en su persona. Lea el manual del propietario del otro equipo y siga las instrucciones al hacer cualquier conexión.
- Los cambios intempestivos a un volumen alto pueden causar daños al oído o a los altavoces. Cuando utilice auriculares mantenga el volumen a un nivel moderado para evitar daños en la audición.
- No permita que salga sonido distorsionado por un periodo prolongado de tiempo. Puede causar que los altavoces se calienten y se incendien.

QUÉ HAY EN LA CAJA

Gracias por haber adquirido este Proyector de cine en casa LED de Impecca. Esta unidad viene con un control remoto y es compatible con entradas HDMI, AV y VGA. También acepta USB y Micro SD y puede conectarse a altavoces Bluetooth.

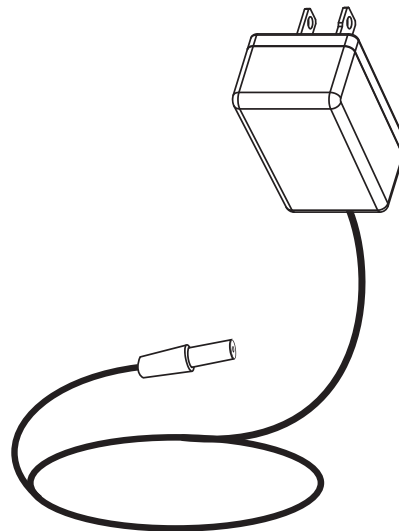
Debió haber recibido lo siguiente en la caja junto con este manual:



Proyector y tapa de la lente

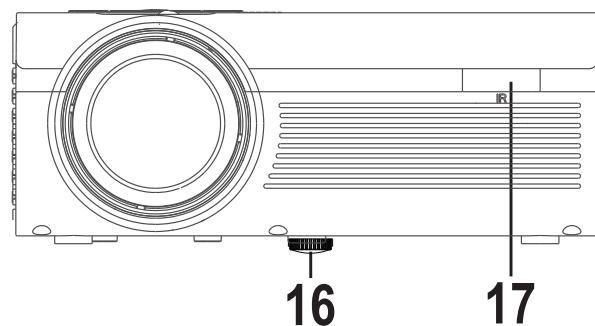
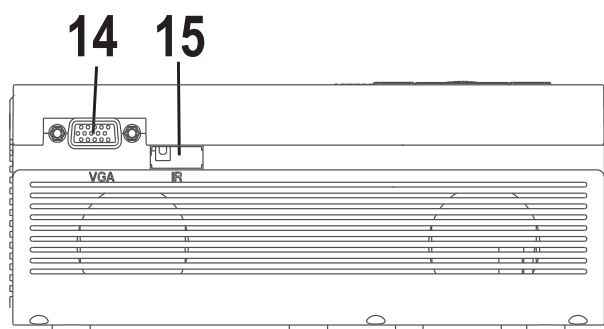
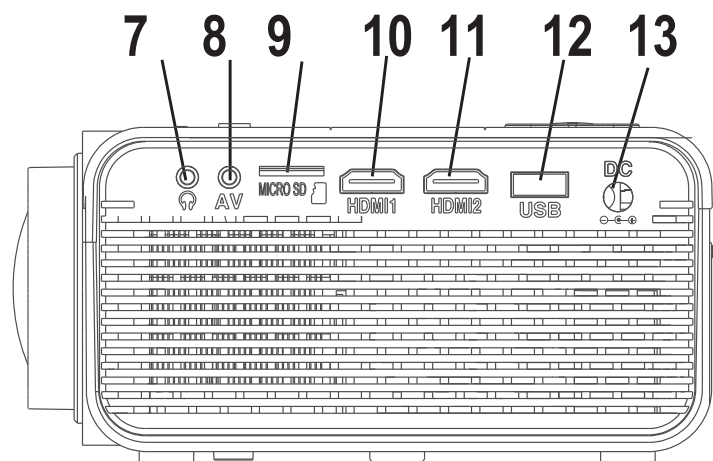
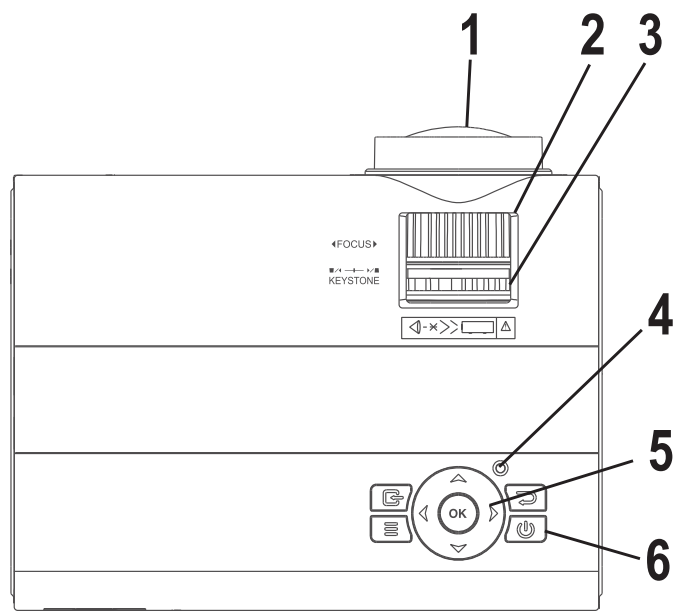


Control Remoto



Adaptador de Corriente

DIAGRAMA DEL PRODUCTO

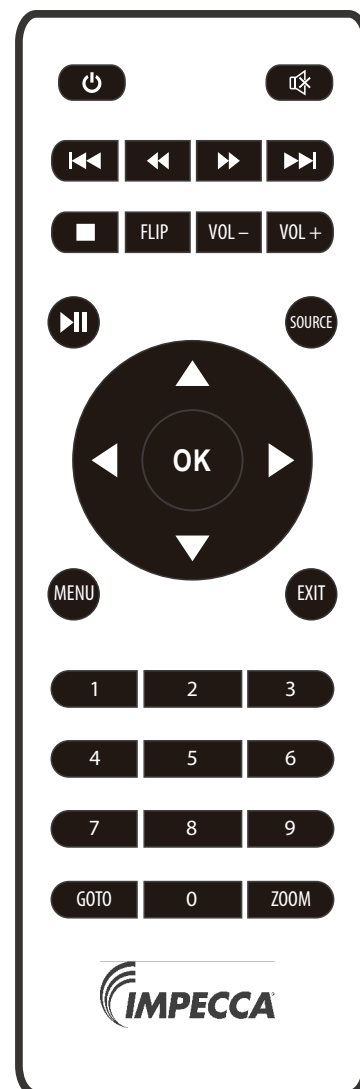


1. Lente
2. Perilla de Ajuste del Enfoque
3. Perilla de Ajuste Trapezoidal
4. Luz indicadora de encendido
5. Botones del Menú/Navegación
6. Botón de Encendido
7. Entrada de Auriculares
8. Conexión AV OUT de 3.5mm (para audio y video)
9. Ranura para tarjeta Micro SD

10. Puerto HDMI 1
11. Puerto HDMI 2
12. Puerto USB
13. Conexión DC IN
14. Puerto VGA
15. Ventana IR (Parte Posterior)
16. Perilla de Ajuste del Ángulo
17. Ventana IR (Parte Anterior)

BOTONES DEL CONTROL REMOTO Y FUNCIONES

1. **Power**: Encendido/Apagado
2. **MUTE**: Silenciar/Activar el sonido.
3. **PREVIOUS / NEXT**
Presione para saltar de capítulo o número de pista (Modo USB/SD)
4. **STOP**: Para detener la reproducción
5. **FLIP**: Presione para dar la vuelta/girar la imagen para diferentes tipos de proyección (ver los ajustes de giro en la sección “Instalando su proyector”).
6. **VOL +/-**: Presione para anular la función de silencio (MUTE) o aumentar o disminuir el nivel de volumen.
7. **Play/Pause** Para reproducir o pausar un capítulo o pista
8. **SOURCE**: Presione este botón para recorrer las diferentes opciones del origen o fuente de entrada como sigue: (AV, HDMI1, HDMI2 VGA, Reproductor de Medios)
9. **▲/▼/◀/▶ OK**: Presione para navegar y confirmar las selecciones en la Configuración y otros Menús.
10. **MENU**: Ingresa al Menú Principal del Proyector para ajustar la configuración
11. **EXIT**: Muestra el menú actual.
12. **0-9 / GOTO**: Presione las teclas 0-9 para seleccionar un capítulo o número de pista (Modo USB/SD)
13. **ZOOM**: Permite seleccionar los diferentes niveles de acercamiento de la imagen. Zoom 2x-> 4x -> 1/4x -> 1/2x -> 1x (normal)
14. **BACK / FWD** Para buscar dentro de un capítulo o pista individual



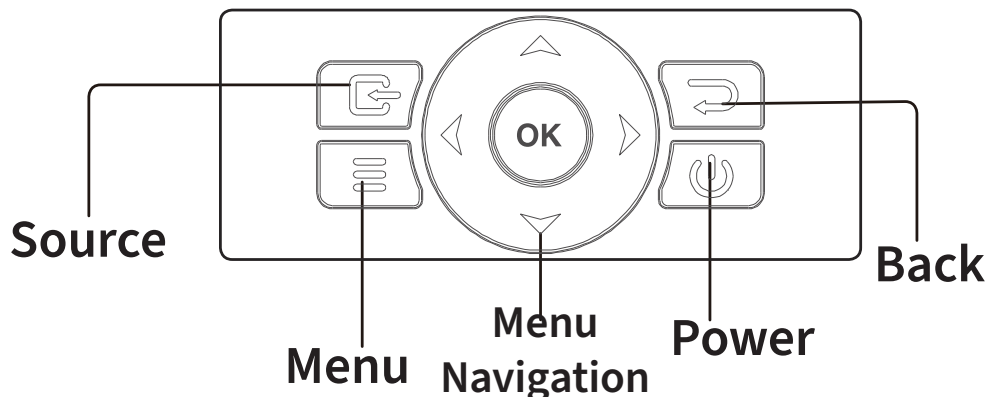
INSTALANDO LAS BATERÍAS EN EL CONTROL REMOTO

Para usar el control remoto, primero debe instalar 2 baterías “AAA” (no incluidas). Asegúrese de colocarlas en la dirección correcta, coincidiendo con los símbolos + y - en el compartimento de las baterías del control remoto.

NOTA: No mezcle baterías viejas con nuevas y no mezcle baterías alcalinas, estándar (carbón-zinc) con baterías recargables (ni-cad, ni-mh, etc.).

BOTONES EN EL PROYECTOR

Estos botones en la parte superior del proyector funcionan de la misma forma que en el control remoto:



INSTALANDO SU PROYECTOR

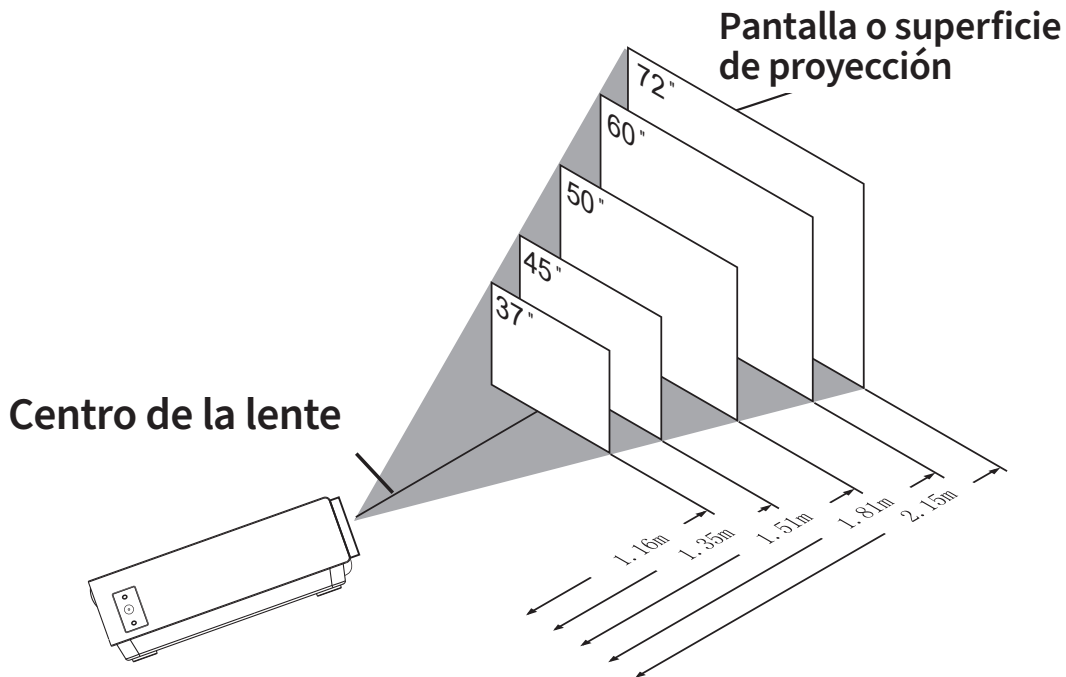
El proyector puede colocarse en una mesa o superficie similar estable. También puede montarse en el techo. Para una instalación en el techo se sugiere la instalación profesional.



Advertencia: Para evitar el peligro, no instale el proyector cerca del agua o calor extremo. No bloquee la ventilación en la parte posterior del proyector. Deje un espacio libre de al menos 10 cm (4 pulgadas) alrededor de toda la unidad.

DETERMINANDO LA DISTANCIA Y UBICACIÓN DEL PROYECTOR

Puede que desee medir la distancia desde la lente a la superficie sobre la que se proyectará la imagen. Esto dará una idea de cuán grande será la imagen proyectada.



IMPORTANTE: Para cualquier tipo de instalación que no sea la proyección frontal de una mesa, tendrá que rotar la imagen. Esto puede hacerse con el botón **Flip**, o con el parámetro **Rotate** explicado más adelante y cambiándolo en la sección **Options** del menú **Settings** (Configuración), cubierto más adelante en esta guía.

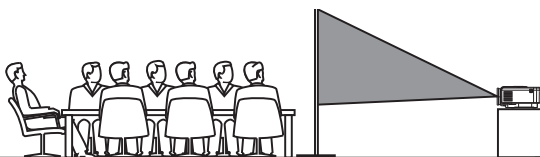
COLOCANDO EL PROYECTOR EN UNA MESA



Mesa (Proyección frontal)

Parámetro **Rotate**: 0

Seleccione una mesa segura y estable y centre la lente del proyector en la superficie donde se estará proyectando. Trate de asegurarse de que la superficie de proyección sea paralela con la parte frontal del proyector, de modo que la proyección se proyecte directamente en la pantalla y no esté en ángulo a la izquierda o a la derecha.

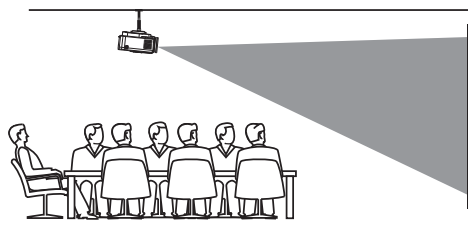


Mesa (Proyección frontal)

Parámetro **Rotate**: 3

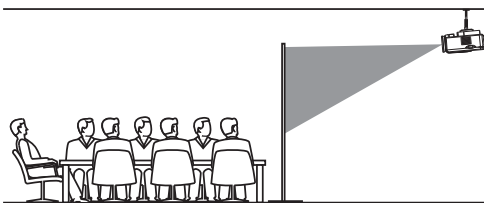
La perilla de ajuste del ángulo puede utilizarse más tarde para aumentar o disminuir el ángulo del proyector. Esto elevará o bajará la imagen proyectada.

MONTANDO EL PROYECTOR EN EL TECHO



Montaje en el Techo (Proyección frontal)

Parámetro **Rotate**: 2



Montaje en el Techo (Retroproyección)

Parámetro **Rotate**: 1

El proyector no se envía con el hardware de montaje necesario para la instalación en el techo. Sin embargo, tiene un orificio de suspensión incorporado para permitir este tipo de instalación.

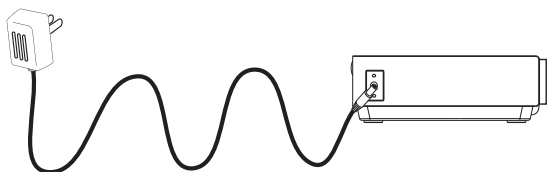


Se recomienda encarecidamente la instalación profesional para montar el proyector en el techo. Si no está capacitado y no se siente cómodo con el montaje en el techo, no realice este tipo de instalación. Nunca realice ninguna instalación en el techo sin ayuda.

CONECTANDO AL SUMINISTRO DE CORRIENTE Y DISPOSITIVOS FUENTE

Antes de conectar el proyector:

1. Conecte el adaptador de corriente AC (incluido)



Nota: Primero conecte el cable de suministro de corriente y después al tomacorriente.

2. Conecte al proyector cualquier cable HDMI, VGA o AV (no incluido) y también el dispositivo origen/fuente (reproductor DVD, computadora, etc.)
3. Inserte cualquier dispositivo USB o tarjeta SD a utilizar.

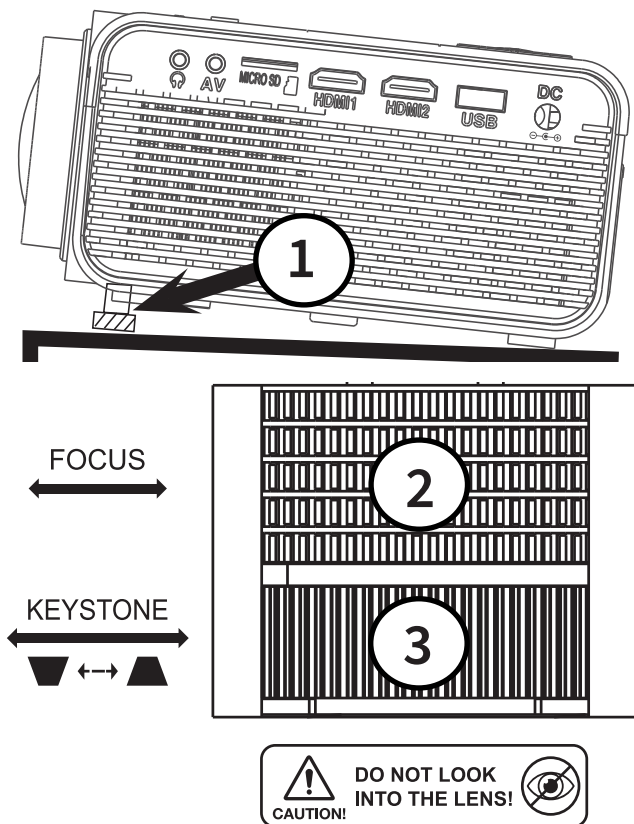
Nota: si cambia, desconecta o retira cualquier cable, controlador USB o tarjeta SD posteriormente, asegúrese de apagar el proyector primero, después hacer los ajustes al cableado, y finalmente vuelva a encender el proyector.

ENCENDIENDO SU EQUIPO Y AJUSTANDO LA IMAGEN

ENGLISH

ESPAÑOL

FRANÇAIS



Asegúrese de que todos sus cables de video y audio estén conectados y que se ha insertado cualquier dispositivo USB o SD. Después, encienda el proyector al presionar **POWER** en el proyector o en el control remoto. La luz indicadora de encendido se tornará color verde. Después de encender el proyector, use la **perilla de ajuste del ángulo (1)**, si está montado en la mesa) para bajar o subir el ángulo del proyector conforme se necesite de modo que la proyección caiga en el área correcta de la superficie de proyección. Después querrá enfocar la imagen al girar la **perilla de enfoque (2)**. Dependiendo del tamaño de la proyección, los bordes de la imagen pueden ser menos nítidos que el resto de la imagen, esto es normal.

Si la imagen es proyectada en un ángulo vertical, puede ser más ancha en la parte superior o inferior (lo que se conoce como una forma trapezoidal). En este caso, utilice la perilla de **ajuste trapezoidal (3)** para ajustar la imagen.

APAGANDO

Para apagar el proyector, simplemente presione el botón **POWER** dos veces. Después de presionarlo la primera vez, verá un mensaje que le advierte que presionar ese botón nuevamente apagará la unidad y que la presión de cualquier otro botón cancelará el apagado. **Coloque la cubierta de la lente en el proyector cuando no esté en uso.**

OPERACIÓN BÁSICA



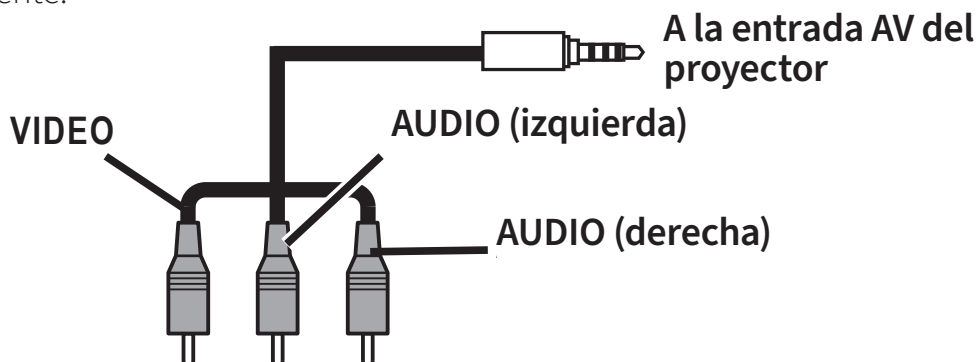
Presione el botón **SOURCE** para mostrar el Menú de Origen de la Entrada (Input Menu Source).

Presione **▼ / ▲** o **SOURCE** para seleccionar el origen de la entrada. Posteriormente, presione OK para seleccionarla.

Puede presionar el botón **EXIT** para salir de este menú.

ENTRADA AV

La entrada AV en el proyector es para conexiones RCA antiguas y requiere de un cable AV de 3.5mm similar al siguiente:



HDMI1 Y HDMI2

Simplemente conecte su dispositivo HDMI a esas entradas. Los cables HDMI llevan juntos la señal de audio y video.

VGA (ENTRADA PC)

La entrada VGA es compatible con las siguientes resoluciones. Es posible que tenga que configurar la pantalla de su ordenador en uno de estos modos de vídeo (con una de las frecuencias de actualización indicadas) antes de conectarlo al proyector y seleccionar VGA como entrada con el botón **SOURCE**. Tenga en cuenta que VGA es una conexión sólo de vídeo y no lleva audio.

Resolución	Hz (velocidad de actualización)
640 x 480	60, 70, 72, 75
800 x 600	50, 56, 60, 70, 72, 75
1024 x 768	50, 60, 70

MODO MEDIA PLAYER (TARJETAS USB / SD)

El proyector tiene un puerto USB y una ranura para tarjetas SD para la reproducción de medios. Cada ranura admite una tarjeta o unidad de hasta 32 GB de capacidad. El proyector es compatible con la visualización o reproducción de vídeos .jpg, mp3 o mpeg. Presione **SOURCE** y seleccione el Reproductor de Medios. Seleccione USB o SD si es necesario, entonces aparecerá la interfaz del reproductor de medios, permitiéndole reproducir el contenido. La mayoría de los controles de reproducción se explican por sí solos, pero aquí hay una explicación de algunas de las funciones adicionales que puede seleccionar durante la reproducción:

	Gestionar la lista de reproducción		Cámara lenta (Video)
	Mostrar información sobre el medio actual		Adelantar un cuadro (Video)

Recuerde:

- Solo se admiten 200 archivos por carpeta. Asegúrese de que las imágenes y otros medios no superen este límite.
- Cuando inserte o retire un dispositivo USB o SD, apague el proyector primero, luego conecte o desconecte el dispositivo, por último, vuelva a encender el reproductor.

EL SISTEMA DEL MENÚ PRINCIPAL



Presione **MENU** para ingresar al menú principal. Aquí es donde puede ver o cambiar la configuración del proyector. Hay cuatro secciones principales en el menú.



Utilice el botón de 4 direcciones en el proyector o en el control remoto para seleccionar la sección del menú a la izquierda. Presione OK o ► para ingresar ese menú.

Vamos a revisar algunas funciones en cada una de estas secciones del menú.

MENÚ DE IMAGEN (PICTURE)

Este menú permite cambiar la visualización para que coincida mejor con la superficie de proyección. El **Modo de Imagen (Picture Mode)** le permite seleccionar los estilos preestablecidos: Vivid, Soft o Standard, o puede configurarlo como "User" para ajustarlo usted mismo. La **Relación de Aspecto (Aspect Ratio)** debe de ajustarse como 16:9, 4:3 o "auto" como se muestra aquí. **Reducción de Ruido (Noise Reduction)** suaviza los pixeles estáticos y puede ser útil para algunos dispositivos de origen. La opción **Pantalla (Screen)** en la parte inferior ofrece un menú adicional que le permite ajustar manualmente la posición o tamaño de la imagen proyectada.

Picture Mode	Standard
Contrast	50
Brightness	50
Color	50
Sharpness	50
Color Temperature	Medium
Aspect Ratio	Auto
Noise Reduction	Mid
Screen	

MENÚ DE SONIDO (SOUND)

Modo Sonido (Sound Mode) puede seleccionarse aquí al igual que se hace en el menú de Modo de Imagen. Puede seleccionar Music, Movie, User (personalizado), Sports o Estándar. Si cree que es necesario ajustar el volumen frecuentemente con la fuente de audio que está usando, la opción **Volumen Automático (Auto Volume)** puede ser útil ya que regulará automáticamente el nivel de sonido.

Sound Mode	Standard
Treble	50
Bass	50
Balance	0
Auto Volume	Off
Surround Sound	Off

MENÚ DE OPCIONES (OPTIONS)

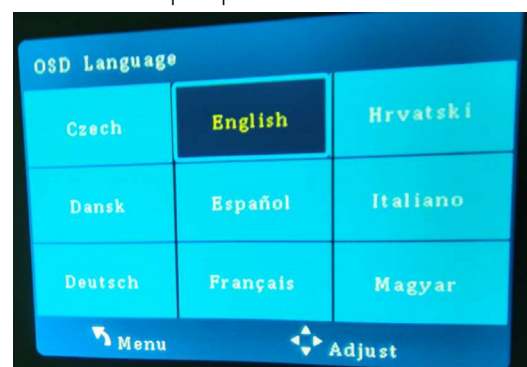
Este menú le permite cambiar el Idioma (OSD Language), activar el Bluetooth (cubierto más adelante) o seleccionar la Restauración de Fábrica (Restore Factory) para restaurar el proyector a los ajustes de fábrica. Giro del Panel (Panel Rotate) es el ajuste utilizado para girar la imagen si el proyector se utiliza para cualquier otra cosa que no sea la proyección de mesa frontal. Consulte la sección "Instalación del Proyector" para conocer la configuración correcta. Info proporciona información técnica sobre el proyector.

OSD Language	English
Bluetooth	
Restore Factory	
Panel Rotate	0
Info	

SUB MENÚ DE IDIOMAS

Mueva la selección del cursor alrededor de la cuadrícula para seleccionar un idioma. Los idiomas soportados son:

Chino, danés, alemán, inglés, eslovaco, esloveno, francés, hrvatski, italiano, magiar, neerlandés, noruego, polaco, portugués, romano, eslovaco, esloveno, srpski, suomio y sueco



MENÚ DE HORA (TIME)

Este menú le permite ajustar la hora del sistema o establecer un temporizador de apagado automático para que el proyector se apague automáticamente (Pulse Power para salir del modo de apagado automático).

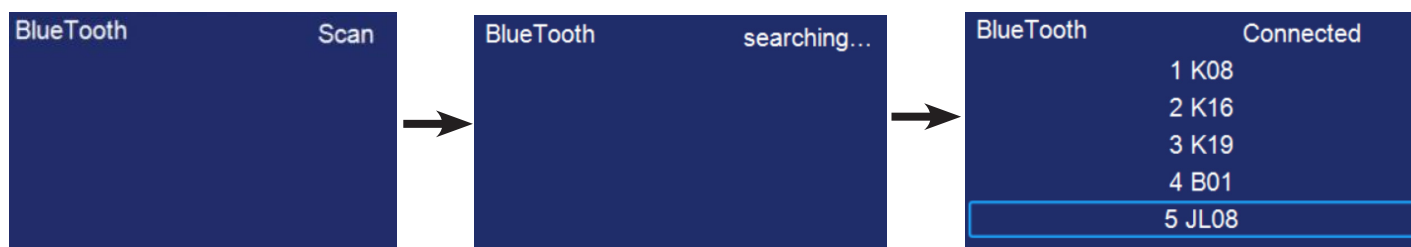
También puede establecer una "hora de encendido" u "hora de apagado" para que la unidad se encienda o se apague por sí misma. Esto es sólo para una instancia única y no se repite al día siguiente.

Clock	-- --
Off Time	Off
On Time	Off
Sleep Timer	Off
Auto Sleep	Never

USANDO ALTAVOCES EXTERNOS Y AURICULARES

REPRODUCCIÓN BLUETOOTH

El proyector tiene sus propios altavoces incorporados, pero también se puede emparejar con altavoces Bluetooth. Por defecto el Bluetooth está desactivado por defecto. Habilite el Bluetooth en el menú de opciones descrito en la sección anterior seleccionando Bluetooth en el Menú de Opciones y activándolo. Verá un mensaje que indica la búsqueda de dispositivos Bluetooth.



Active Bluetooth en el receptor (altavoces externos, barra de sonido, etc.) al que desea conectarse. Los dispositivos como teléfonos inteligentes, tabletas o computadoras no son receptores Bluetooth y no se conectarán al proyector. Para eliminar la confusión, puede desactivar Bluetooth en todos los receptores a los que no desea conectarse.

Asegúrese de que el altavoz Bluetooth esté listo para acoplarse al proyector y pulse OK en esta pantalla para buscar altavoces. Seleccione el altavoz Bluetooth en la pantalla del proyector y presione OK. Verá un mensaje de "Bluetooth conectado" una vez que se haya completado el emparejamiento.

El proyector deberá recordar esta conexión en el futuro. Si el altavoz Bluetooth que ha emparejado está encendido y cerca del proyector se enciende de nuevo, el altavoz se deberá emparejar automáticamente. Si no es así, vuelva al Menú Opciones y realice nuevamente los mismos pasos para emparejar ese altavoz Bluetooth u otro.

SALIDA DE AUDIO (AUDIO OUT)

La toma de auriculares (que se ve en el diagrama del producto al principio de esta guía) puede utilizarse con los auriculares. También puede conectar altavoces aquí, como lo haría para conectar los altavoces de un ordenador a un PC. Esto requiere un cable de audio de 3.5 mm a RCA.

INSTRUCCIONES DE CUIDADO

PROTEGIENDO LALENTE

Siempre coloque la cubierta de la lente en el proyector cuando no esté en uso.

LIMPIEZA

1. Apague el proyector y desconecte el cable antes de limpiarlo.

2. Limpie el Proyector con un paño 100% algodón o microfibra.
 - Utilice un paño seco de ser posible. Si es necesario, utilice un paño húmedo, pero no mojado, y después use un paño seco. No utilice químicos abrasivos (como alcohol, rosina, tolueno).
3. Utilice papel de lentes para limpiar la lente. Cuide de no rayarla.

CONDENSACIÓN

Se puede formar humedad en la unidad si se le traslada de un ambiente frío a uno cálido o si la temperatura de la habitación aumenta repentinamente. Cuando esto sucede, el rendimiento de la unidad puede verse afectado. Para evitarlo, deje la unidad en su nuevo entorno durante aproximadamente una hora antes de encenderla o asegúrese de que la temperatura de la habitación aumente gradualmente.

ESPECIFICACIONES

Salida de luminosidad	Salida ANSI de luz blanca: 50.7 lúmenes Salida de Luz LED: 2800 lúmenes Vida del LED: est. 20,000+ horas estimadas
Resolución nativa de despliegue	800 x 480
Modos compatibles de video HDMI	1080p, 1080i, 720p, 576i, 480p, and 480i
Consumo de energía	De operación: 36W; En modo de espera 1W
Potencia de Entrada	DC 12V, 3.5 A
Especificaciones de adaptadores de energía	Entrada AC100-240V,50/60Hz Salida DC12V, 3.5 A
Color de despliegue	7000-8000K
Tamaño de la proyección	30-100 pulgadas
Compatibilidad de dispositivos USB y Tarjeta SD	Hasta 32GB de capacidad Formatos: mpeg1, mpeg2, mpeg4, mp3, jpeg
Peso	0.9 KG
Dimensiones	203 x 150 x 82 mm
Revisión Bluetooth	BT 5.0

CONSEJOS PARA LA SOLUCIÓN DE PROBLEMAS

PROBLEMA	CAUSA POSIBLE
No se proyecta ninguna imagen o se despliega el mensaje "No Signal" (Sin señal)	<ul style="list-style-type: none"> ¿Está encendida la luz de encendido? Si no está encendida, compruebe que el proyector está enchufado en una toma de corriente que funcione y luego pulse el botón de encendido del proyector. Si está encendida, compruebe que se ha retirado la tapa de la lente. Compruebe que los cables estén bien conectados. Es posible que el origen o fuente de la imagen no esté ajustada correctamente. Pulse el botón SOURCE en el panel de control o el control remoto para seleccionar el origen o fuente correcta.
La lámpara (bombilla) se apaga después de cierto periodo de tiempo	<ol style="list-style-type: none"> Deje que el proyector se enfríe unos momentos Una vez que se enfríe, revise si algo está obstruyendo las ranuras de ventilación Apague el proyector. <p>Si el problema persiste, entre en contacto con su proveedor de servicios para mayor asistencia.</p>
La imagen es más ancha en la parte superior o inferior de la pantalla	Esto se llama "efecto trapezoidal" y se debe a que el ángulo de proyección no es perpendicular a la pantalla. Para corregirlo, utilice la perilla de ajuste trapezoidal para corregir la imagen.
Manchas en la pantalla	Utilice una aspiradora de mano para limpiar la lente. Si la limpieza no ayuda, entre en contacto con su proveedor de servicios para mayor asistencia.

Se ha desvanecido el brillo de la imagen

Esto posiblemente sea causado por la luz ambiental en la habitación. Apague las luces o cierre las cortinas sobre cualquier ventana conforme se necesite. Si la habitación está oscura y la proyección aún está desvanecida, puede ser que deba cambiar la bombilla.

SOPORTE AL CLIENTE

Antes de ponerse en contacto con el servicio de atención al cliente, consulte la sección de consejos de solución de problemas anterior.

Visite nuestro sitio web para ponerse en contacto con nosotros, encontrar respuestas a las preguntas más frecuentes y para otros recursos que pueden incluir una versión actualizada de esta guía del usuario.

 WWW.IMPECCA.COM

Si desea contactarnos por teléfono, por favor asegúrese de tener su número de modelo y serie y llámenos entre las 9:00 y las 18:00, hora del este, al +1 866-954-4440.

Manténgase al tanto de las últimas innovaciones de Impecca y participe en los concursos a través de nuestras redes sociales:

 www.facebook.com/Impecca/

 www.instagram.com/impecca/

 @impeccausa



GARANTÍA LIMITADA POR UN AÑO

Impecca® garantiza este producto contra defectos en material y obra al comprador original como se especifica abajo siempre y cuando el producto este registrado en línea dentro de los catorce (14) días de compra.

PARTES - Si se determina que el producto tiene defecto de fábrica, dentro de un (1) año de la fecha de la compra original, Impecca® reparará o reemplazará las partes del producto sin costo alguno (de las partes) para consumidores en Estados Unidos y Canadá.

LABOR - Si se determina que el producto tiene un defecto de fabrica, dentro de un periodo de noventa (90) días de la fecha de la compra original, Impecca® reparará o reemplazará el producto sin costo alguno para consumidores en Estados Unidos y Canadá. Después de noventa (90) días será responsabilidad del consumidor.

Costos de embarque hacia y desde el Centro de Servicio de Garantía son la completa responsabilidad del consumidor.

Para obtener servicio de garantía por un centro de servicio autorizado de Impecca, por favor envíenos un correo electrónico a: service@impecca.com para obtener un numero de Autorización de Reparación y Mantenimiento y para localizar el Centro de Servicio de Garantía mas cerca de usted. Una vez autorizado, usted debe enviar el artículo por correo al centro de servicios autorizado Impecca® en sus materiales de empaque de producto originales o equivalente, para prevenir daño en tránsito.

Además, si Impecca® determina que el producto está fuera de los términos de Garantía, Impecca® retornará el producto al remitente a cargo del remitente sin ser reparado o reemplazado, salvo que haya sido autorizado por el consumidor a dar servicio al producto fuera de garantía al costo del consumidor. Todos los cargos de manejo o por reposición por devoluciones y/o reemplazos no serán reembolsables.

Impecca® específicamente excluye de esta garantía aditamentos no-eléctricos/mecánicos, accesorios, y partes desechables incluyendo, pero no limitados a, caja externa, cables de conexión, baterías, y adaptadores AC. Impecca® se reserva el derecho a reparar o reemplazar productos con el mismo, equivalente, o modelo más nuevo.

Nos reservamos el derecho a reparar o reemplazar el producto a nuestra discreción. El reemplazo puede ser nuevo o reparado y aunque se hará todo lo posible por que sea el mismo modelo, si el mismo modelo no está disponible, será reemplazado con un modelo de la misma o mayor especificación.

Desgaste normal no es cubierto por esta garantía. Además, Impecca® se reserva el derecho a determinar el "desgaste" en cualquier y todos los productos. Manipulación o apertura de la cubierta o tapadera del producto anulará esta garantía completamente.

La garantía no aplica si el producto ha sido dañado por accidente, abuso, mal uso, o mala aplicación; ha sido alterado o modificado sin el permiso expreso de Impecca® ; ha recibido servicio por un centro de reparación no autorizado por Impecca® ; no ha sido mantenido u operado de forma apropiada de acuerdo al manual de operación; ha sido usado para propósitos comerciales, no domésticos; ha sido dañado cosméticamente; no fue importado por Impecca® ; no fue fabricado de acuerdo a especificación del mercado de Estados Unidos; fue dañado debido a instalación no apropiada o negligencia del consumidor; fue dañado por empaque no apropiado en el embarque al Centro de Servicio de Garantía; fue dañado por desastre natural; o si el número de serie del producto ha sido removido o desfigurado.

TODAS LAS GARANTÍAS IMPLÍCITAS, INCLUYENDO GARANTÍAS DE COMERCIALIZACIÓN Y ADECUACIÓN IMPLÍCITAS PARA UN PROPÓSITO PARTICULAR SON LIMITADAS EN DURACIÓN A UN (1) AÑO EN PARTES Y NOVENTA (90) DÍAS EN LABOR DE LA FECHA DE LA COMPRA ORIGINAL AL DETALLE DE ESTE PRODUCTO.

ESTAS GARANTÍAS Y REMEDIOS SON LAS ÚNICAS Y EXCLUSIVAS GARANTÍAS Y REMEDIOS EN CONEXIÓN CON LA VENTA Y USO DEL PRODUCTO. NINGUNA OTRA GARANTÍA, ORAL O ESCRITA, EXPRESA O IMPLÍCITA SON DADAS.

IMPECCA® NO ES RESPONSABLE POR NINGÚN DAÑO, YA SEA ESPECIAL, ACCIDENTAL, CONSECUENTE, DIRECTO O DE OTRA MANERA, O YA SEA CONOCIDO O TUVO QUE HABER SIDO CONOCIDO POR IMPECCA®, INCLUYENDO GANANCIAS PERDIDAS, BUENA VOLUNTAD, Y LESIÓN PERSONAL O DE PROPIEDAD RESULTANTE DE CUALQUIER ROMPIMIENTO DE GARANTÍA, LA INHABILIDAD DE USAR EL PRODUCTO, O BAJO CUALQUIER TEORÍA LEGAL EN CONTRATO O AGRAVIO. LA RESPONSABILIDAD DE IMPECCA® ES LIMITADA AL PRECIO DE COMPRA ACTUAL PAGADO AL VENDEDOR DETALLISTA DEL PRODUCTO DEFECTUOSO.

Ningún comerciante, agente, o empleado de Impecca® está autorizado para hacer ninguna modificación, extensión, cambio o enmienda a esta garantía sin el consentimiento escrito y autorización de Impecca® .

Algunos estados no permiten la exclusión o limitación de garantías implícitas o responsabilidad por daños accidentales o consecuentes, o no permiten una limitación en el tiempo de duración de una garantía implícita, así que es posible que las limitaciones o exclusiones anteriores no apliquen a usted. Esta garantía le da a usted derechos legales específicos, y es posible que usted tenga otros derechos que varían de estado a estado.

Nota: Nuestro Centro de Servicio de Garantía embarca solamente dentro de Estados Unidos Continental, excluyendo Alaska y Hawái.

Importante: Asegúrese de Registrar su producto en WWW.IMPECCA.COM dentro de 14 Días.

Impecca® USA • PA 18711 • www.impecca.com • service@impecca.com

No envíe devoluciones a esta dirección ya que se pueden perder y esto atrasara el proceso de reparación y servicio.

TABLE DES MATIÈRES

Consignes de Sécurité Importantes.....	39
Sécurité: Mises en Garde et Avertissements	40
Contenu de la Boite	42
Diagramme de Produit	43
Boutons et Caractéristiques de la Télécommande	44
Boutons sur le Projecteur.....	44
Installation de Votre Projecteur.....	45
Branchement des Dispositifs.....	46
Mise Sous Tension et Réglage de L'image.....	47
Opération de Base.....	47
Le Système de Menu Principal.....	49
Utilisation des Haut-Parleurs et des Casques Externes.....	50
Instructions D'entretien	51
Specifications	52
Des Conseils de Dépannage.....	52
Support Technique	53
Garantie.....	54

CONSIGNES DE SÉCURITÉ IMPORTANTES

	MISE EN GARDE RISK OF ELECTRIC SHOCK, DO NOT OPEN RISQUE D'ELECTROCUTION, NE PAS OUVRIR.	
MISE EN GARDE: POUR RÉDUIRE LE RISQUE DE CHOC ÉLECTRIQUE, N'ENLEVEZ PAS LE COUVERCLE (OU L'ARRIÈRE). AUCUNE PIÈCE RÉPARABLE PAR L'UTILISATEUR À L'INTÉRIEUR. RÉFÉREZ L'ENTRETIEN À UN PERSONNEL DE SERVICE QUALIFIÉ.		



Le flash avec symbole de pointe de flèche, dans un triangle équilatéral, est destiné à alerter l'utilisateur de la présence d'une tension dangereuse non isolée dans l'enceinte du produit qui peut être d'une amplitude suffisante pour constituer un risque de choc électrique.



Le point d'exclamation dans un triangle équilatéral est destiné à alerter l'utilisateur de la présence d'instructions importantes de fonctionnement et de maintenance (entretien) dans la documentation accompagnant l'appareil.

AVERTISSEMENT: POUR ÉVITER TOUT RISQUE D'INCENDIE OU D'ÉLECTROCUTION, N'EXPOSEZ PAS CET APPAREIL À LA PLUIE OU À L'HUMIDITÉ. POUR ÉVITER LA PROPAGATION D'INCENDIE, GARDEZ LES BOUGIES OU LES FLAMMES NUES À L'ÉCART DE CE PRODUIT À TOUT MOMENT.

MISE EN GARDE: POUR ÉVITER LES CHOC ÉLECTRIQUES, N'UTILISEZ PAS CETTE FICHE POLARISÉE AVEC UN CORDON DE RALLONGE, UNE RÉCEPTACLE OU UNE AUTRE SORTIE À MOINS QUE LES LAMES PEUVENT ÊTRE ENTIÈREMENT INSÉRÉES POUR ÉVITER L'EXPOSITION DE LA LAME.

AVERTISSEMENT: Cet équipement a été testé et déclaré conforme aux limites d'un appareil numérique de classe B, conformément à la partie 15 des règles de la FCC. Ces limites sont conçues pour fournir une protection raisonnable contre les interférences nuisibles dans une installation résidentielle. Cet équipement génère, utilise et peut émettre de l'énergie de radiofréquence et s'il n'est pas installé et utilisé conformément aux instructions peut provoquer des interférences nuisibles aux communications radio.

Cependant, il n'y a aucune garantie qu'aucune interférence ne se produira dans une installation particulière. Si cet équipement provoque des interférences nuisibles à la réception radio ou télévision, ce qui peut être déterminé en éteignant puis en rallumant l'équipement, l'utilisateur est encouragé à essayer de corriger les interférences par une ou plusieurs des mesures suivantes:

- Réorientez ou déplacez l'antenne de réception.
- Augmentez la distance entre l'équipement et le récepteur.
- Connectez l'équipement à une prise sur un circuit différent de celui auquel le récepteur est connecté.
- Consulter le revendeur ou un technicien radio / TV expérimenté pour obtenir de l'aide.

MISE EN GARDE: Les changements ou modifications non expressément approuvés par la partie responsable de la conformité aux règles de la FCC pourraient annuler le droit de l'utilisateur à utiliser cet équipement.

Déclaration FCC ou déclaration de conformité de conformité (partie 15):

Cet équipement a été testé et déclaré conforme aux limites d'un appareil numérique de classe B, conformément à la partie 15 des règles de la FCC. Ces limites sont conçues pour fournir une protection raisonnable contre les interférences nuisibles dans une installation résidentielle. Cet équipement génère, utilise et peut émettre de l'énergie de radiofréquence et s'il n'est pas installé et utilisé conformément aux instructions peut provoquer des interférences nuisibles aux communications radio.

IMPECCA USA
Wilkes Barre, PA
<https://www.impecca.com>
service@impecca.com

LA SÉCURITÉ DES ENFANTS

Le projecteur doit toujours être placé sur des surfaces appropriées et stables ou installé conformément aux recommandations du fabricant. Ne laissez pas les enfants grimper ou jouer avec le projecteur et ses environs. Faites passer tous les cordons et câbles de façon à ce qu'ils ne puissent pas être tirés ou saisis par des enfants curieux.

La garantie ne couvre pas les pannes du produit dues à une mauvaise installation. L'appareil et ses accessoires ne doivent pas être réglés ou réparés par quiconque, sauf par un technicien qualifié.



ÉLIMINATION APPROPRIÉE

Ce marquage indique que ce produit ne doit pas être jeté avec les autres déchets ménagers. Pour éviter tout dommage à l'environnement ou à la santé humaine dû à une élimination incontrôlée des déchets, il doit être éliminé au centre d'élimination recommandé par votre municipalité. Veuillez ne pas jeter cet appareil dans une poubelle domestique.

Veillez lire et respecter toutes les instructions de sécurité de ce guide de l'utilisateur. Tous les codes et ordonnances en vigueur doivent être respectés. Si vous êtes mal à l'aise ou incapable d'effectuer l'une des étapes de ce guide, veuillez consulter un professionnel agréé.



SÉCURITÉ: MISES EN GARDE ET AVERTISSEMENTS



DANGER: RISQUE DE CHOC ÉLECTRIQUE

Toucher les composants internes de cet appareil peut entraîner des blessures graves, voire mortelles. Ne démontez pas cet appareil.

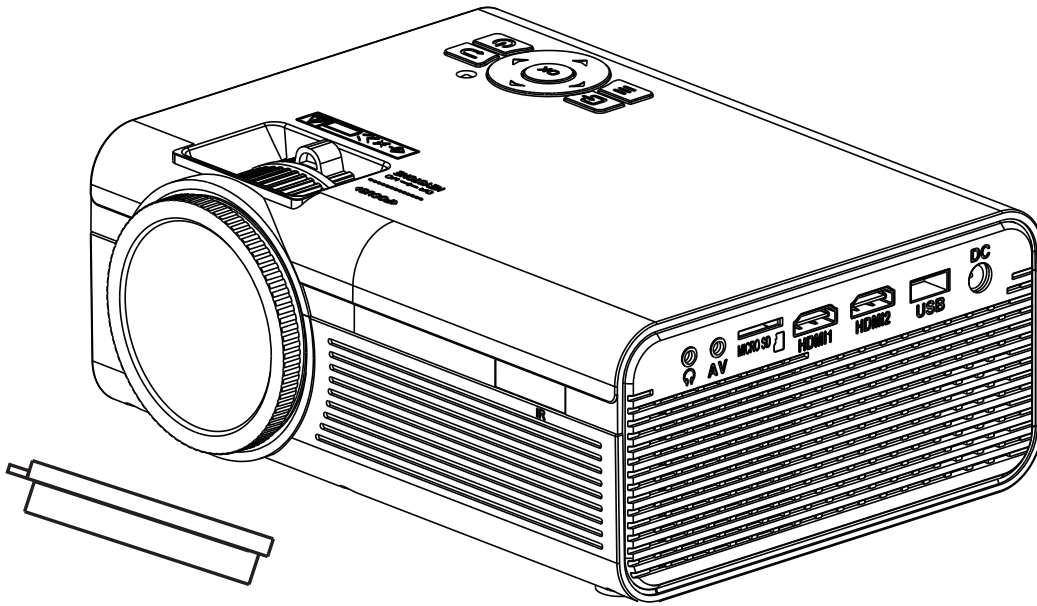
- Ne pas modifier ni regarder directement l'objectif du projecteur!
- N'utilisez pas de rallonge avec cet appareil!
- Lisez attentivement toutes ces instructions et avertissements dans la section AVANT d'utiliser votre projecteur. Le non-respect de cette consigne peut provoquer des incendies, des dommages, des blessures ou des blessures corporelles.
- Ne pas utiliser ce produit près de l'eau.
- Ne bloquez aucune bouche d'aération. Installez conformément aux instructions du fabricant.
- N'installez pas à proximité de sources de chaleur telles que radiateurs, bouches de chaleur, cuisinières ou autres appareils (y compris les amplificateurs) qui produisent de la chaleur.
- Protégez le cordon d'alimentation contre tout piétinement ou pincement.
- Utilisez uniquement avec un chariot, un support, un support ou une table autorisés par le fabricant. Si un chariot est utilisé, soyez prudent lorsque vous le déplacez pour éviter qu'il se renverse et ne cause des blessures.
- Débranchez cet appareil pendant les orages ou s'il n'est pas utilisé pendant une longue période.

- Confiez toute réparation à un personnel qualifié. Un entretien est nécessaire lorsque l'appareil ou son cordon ou son cordon a été endommagé de quelque manière que ce soit, par exemple si l'appareil est tombé ou exposé à l'eau.
- N'exposez JAMAIS ce produit à l'eau, à la pluie ou à l'humidité. Les objets remplis de liquide, tels que des vases, ne doivent pas être placés sur ou à proximité du projecteur ou de ses câbles.
- Ne surchargez pas les prises murales, car cela peut provoquer un incendie ou un choc électrique.
- Ne poussez pas d'objets à travers les ouvertures de cet appareil, car ils pourraient toucher des points de tension dangereux ou des pièces de court-circuit qui pourraient provoquer un incendie ou un choc électrique. Ne renversez ni ne vaporisez aucun type de liquide dans l'unité.
- Cet appareil ne doit être réparé que par des techniciens de maintenance qualifiés. Contactez le support technique pour obtenir des informations sur le centre de service agréé le plus proche pour un examen, une réparation ou un réglage plus approfondi de votre appareil.
- Ne plongez pas le cordon ou la fiche dans l'eau. Tenez le cordon éloigné des surfaces chaudes. Ne laissez pas le cordon pendre au bord d'une table ou d'un support. N'utilisez pas cet appareil si le cordon ou la fiche est endommagé ou ne fonctionne pas correctement.
- Lorsque des pièces de rechange sont nécessaires, assurez-vous que le technicien de service utilise des pièces de rechange autorisées par le fabricant. Les substitutions non autorisées peuvent entraîner un incendie, un choc électrique ou d'autres dangers.
- À la fin de tout entretien ou réparation de cet appareil, demandez au technicien de service d'effectuer des contrôles de sécurité pour déterminer que l'appareil est en bon état de fonctionnement.
- Lorsque vous connectez le produit à un autre équipement, mettez-le hors tension et débranchez tous les équipements de la prise murale. Le non-respect de cette consigne peut provoquer un choc électrique et des blessures graves. Lisez attentivement le manuel du propriétaire de l'autre équipement et suivez les instructions lors de toute connexion.
- Un son soudain à volume élevé peut endommager l'audition ou le haut-parleur. Lorsque vous utilisez un casque, maintenez le volume à un niveau modéré pour éviter des dommages auditifs.
- Ne laissez pas le produit émettre un son fort et déformé pendant une période prolongée. Cela peut provoquer une surchauffe des enceintes et un incendie.

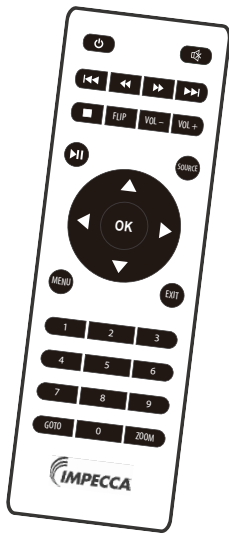
CONTENU DE LA BOÎTE

Merci d'avoir acheté ce Projecteur de cinéma maison LED d'Impecca! Cet appareil est livré avec un télécommande et prend en charge les entrées HDMI, AV et VGA. Il accepte également les supports USB et SD Micro et peut se connecter à des haut-parleurs Bluetooth!

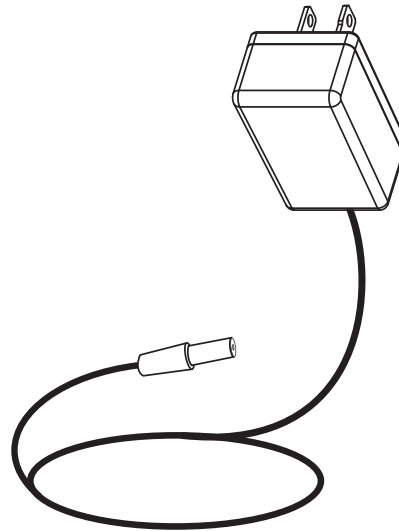
Vous devriez avoir reçu ce qui suit dans la boîte avec ce manuel:



**Projecteur et couvercles
d'objectif**



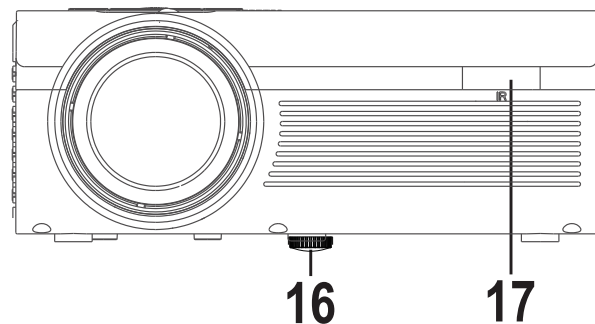
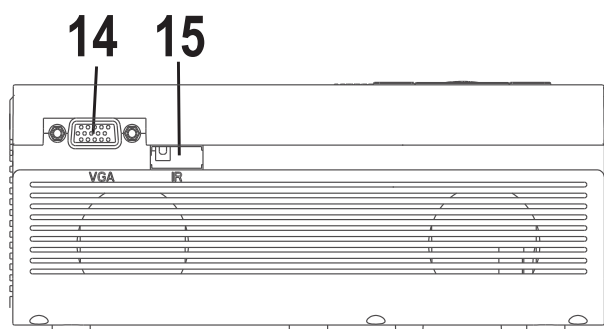
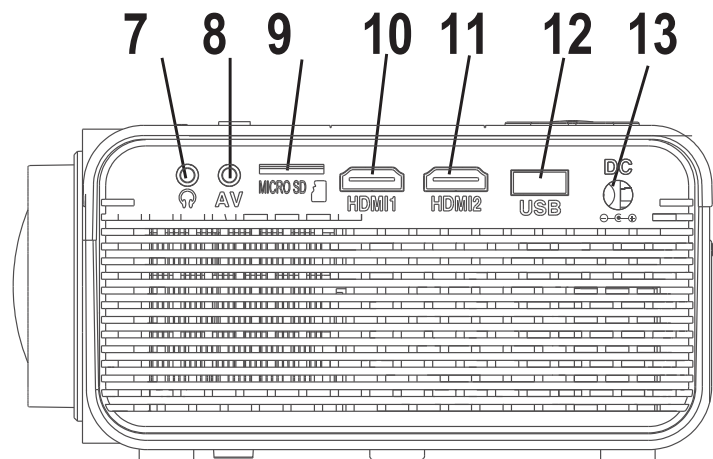
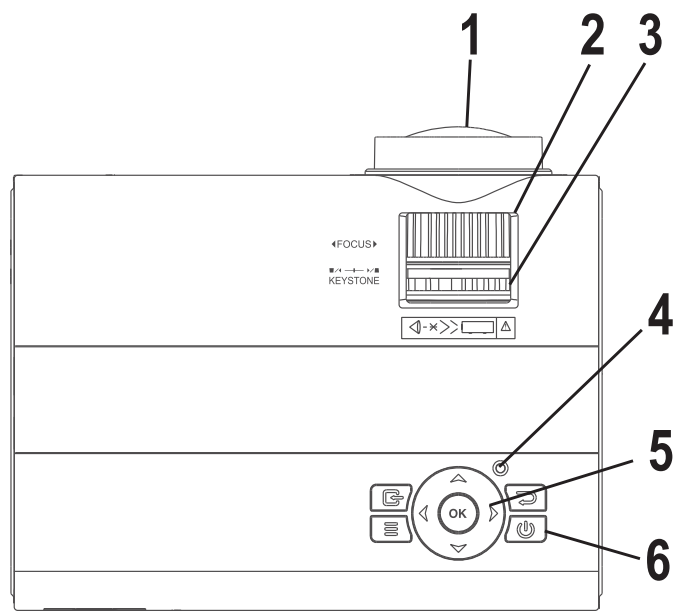
Télécommande



Adaptateur secteur

v

DIAGRAMME DE PRODUIT

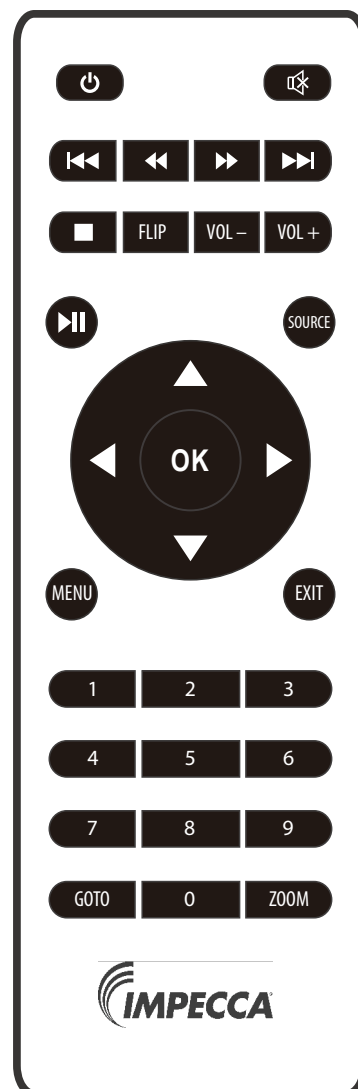


1. Objectif
2. Bouton de réglage de la mise au point
3. Bouton de réglage trapézoïdal
4. Indicateur d'alimentation
5. Boutons de menu / navigation
6. Bouton d'alimentation
7. Prise pour écouteurs
8. Prise AV OUT 3,5 mm(pour l'audio et la vidéo)
9. Carte Micro SD

10. Port HDMI 1
11. Port HDMI 2
12. Port USB
13. Prise DC IN
14. Port VGA
15. Fenêtre IR (côté arrière)
16. Bouton de réglage de l'angle
17. Fenêtre IR (face avant)

BOUTONS ET CARACTÉRISTIQUES DE LA TÉLÉCOMMANDE

1. **Power**: Mise sous / hors tension
2. **MUTE**: Couper / réactiver le son
3. **PREVIOUS / NEXT**
Appuyez pour sauter le chapitre ou le numéro de piste (mode USB / SD)
4. **STOP**: Arrêter la lecture
5. **FLIP**: Appuyez pour retourner / faire pivoter l'image pour différents types de projection (voir les paramètres de rotation dans la section «Installation de votre projecteur»).
6. **VOL +/-**: Activer ou augmenter / diminuer le niveau de volume
7. **Play/Pause**: Lire ou mettre en pause un chapitre ou une piste individuelle
8. **SOURCE**: Appuyez pour sélectionner la source d'entrée (AV, HDMI1, HDMI2, VGA, Media Player)
9. **▲/▼/◀/▶ OK**: Appuyez pour naviguer et confirmer les sélections dans Paramètres et autres menus.
10. **MENU**: Entrez dans le menu principal du projecteur pour régler les paramètres
11. **EXIT**: Quitter le menu actuel
12. **0-9 / GOTO**: Appuyez sur 0-9 pour sélectionner un chapitre ou un numéro de piste (USB / SD mode)
13. **ZOOM**: Appuyez pour faire défiler les différents niveaux de zoom de l'image. Zoom 2x -> 4x -> 8x -> 1 / 4x -> 1 / 2x -> 1x (normal)
14. **BACK / FWD**: Recherche dans un chapitre ou une piste individuelle



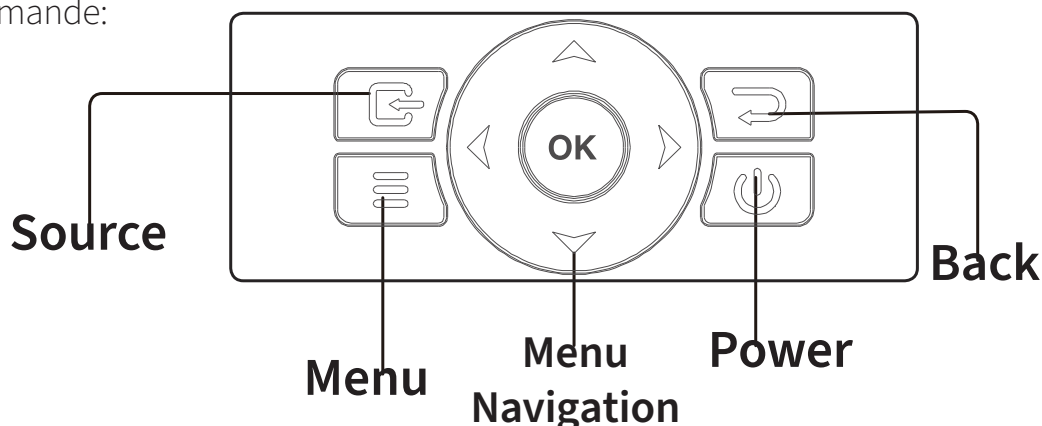
INSTALLATION DES BATTERIES DE LA TÉLÉCOMMANDE

Pour utiliser la télécommande, vous devez d'abord installer les 2 piles AAA (non incluses). Assurez-vous qu'ils sont insérés dans le bon sens, en faisant correspondre les symboles + et - dans le compartiment à piles de la télécommande.

REMARQUE: Ne mélangez pas des piles anciennes et neuves et ne mélangez pas des piles alcalines, standard (carbone-zinc) ou rechargeables (ni-cad, ni-mh, etc.).

BOUTONS SUR LE PROJECTEUR

Ces boutons situés sur le dessus du projecteur fonctionnent de la même manière que sur la télécommande:



INSTALLATION DE VOTRE PROJECTEUR

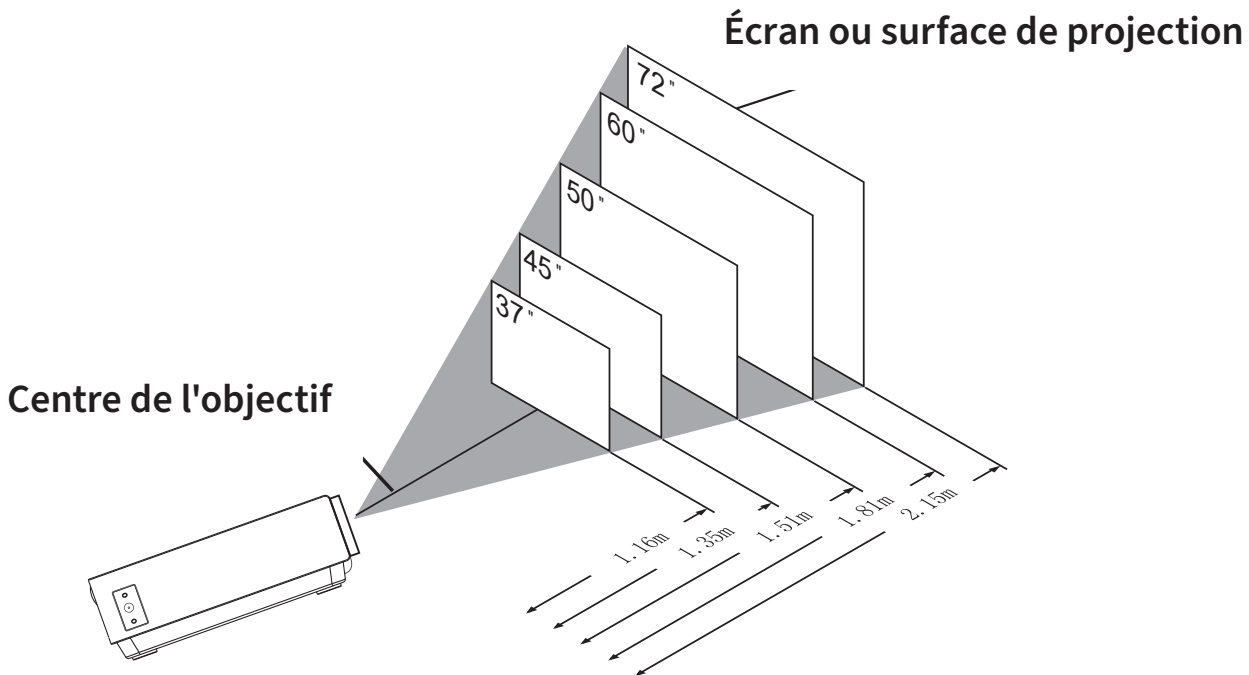
Le projecteur peut être placé sur une table ou sur une autre surface similaire et stable. Il peut également être monté sur le plafond. Une installation professionnelle est recommandée pour une installation au plafond.



Avertissement: pour éviter tout danger, veuillez ne pas installer le projecteur près de l'eau ou d'une chaleur extrême. N'obstruez pas la ventilation à l'arrière du projecteur. 10 cm (4 pouces) d'espace libre doit être disponible autour de l'unité entière.

DÉTERMINER LA DISTANCE ET L'EMPLACEMENT DU PROJECTEUR

Vous souhaitez peut-être mesurer la distance entre l'objectif et la surface sur laquelle l'image sera projetée. Cela donnera une idée de la taille de l'image projetée.



IMPORTANT: pour tout type d'installation autre que la projection de la table avant, vous devrez faire pivoter l'image. Cela peut être fait avec le bouton Flip, ou en notant le paramètre Rotation ci-dessous et en le modifiant dans la section Options du menu Paramètres (abordé plus loin dans le guide)

PLACER LE PROJECTEUR SUR UNE TABLE

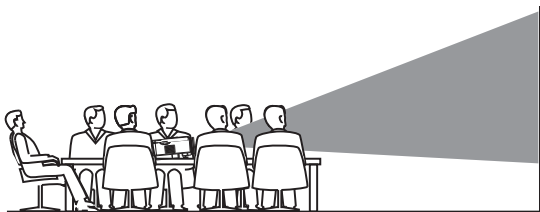


Table (projection avant)

Réglage de rotation: 0



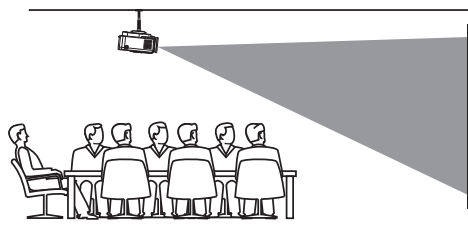
Table (projection avant)

Réglage de rotation: 3

Sélectionnez une surface sûre et stable et centrez l'objectif du projecteur sur la surface sur laquelle il projettera. Essayez de vous assurer que la surface de projection est parallèle à l'avant du projecteur afin que la projection soit projetée directement sur l'écran et ne soit pas inclinée vers la gauche ou la droite.

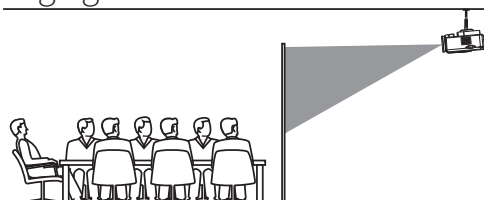
Le bouton de réglage de l'angle peut être utilisé ultérieurement pour élever ou abaisser l'angle du projecteur. Cela augmentera ou abaissera l'image projetée.

MONTAGE DU PROJECTEUR AU PLAFOND



Montage au plafond (projection avant)

Réglage de rotation: 2



Montage au plafond (projection arrière)

Réglage de rotation: 1

Le projecteur n'est pas livré avec le matériel de montage nécessaire pour une installation au plafond. Il possède cependant un trou de suspension intégré pour permettre ce type d'installation.

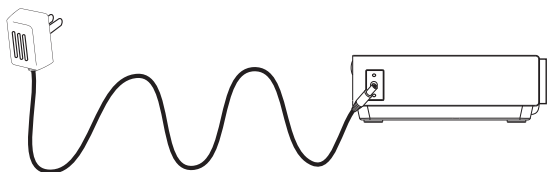


L'installation professionnelle est fortement recommandée pour le montage du projecteur sur le plafond. Si vous n'êtes pas qualifié et à l'aise pour le monter au plafond, n'effectuez pas une installation au plafond. N'effectuez jamais aucune installation sans assistance.

BRANCHEMENT DES DISPOSITIFS

Avant d'allumer le projecteur:

1. Branchez l'adaptateur secteur (inclus).

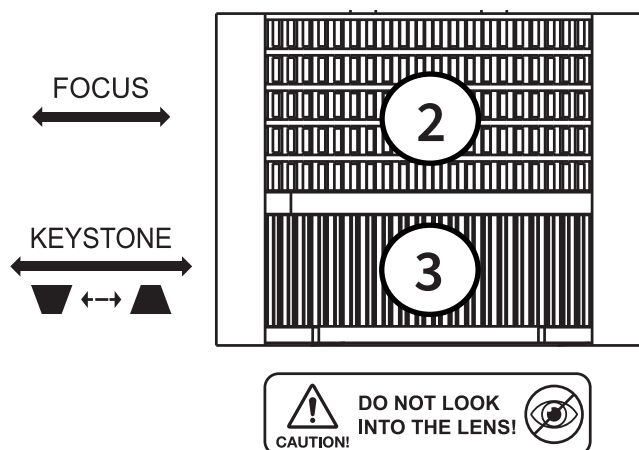
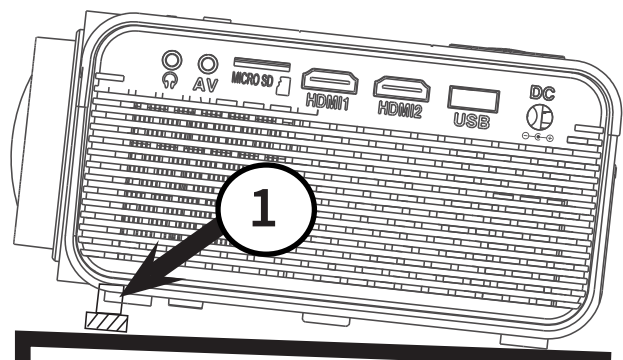


Remarque: branchez d'abord le câble d'alimentation sur le projecteur, puis sur la prise de courant.

2. Connectez tous les câbles HDMI, VGA ou AV (non inclus) au projecteur ainsi qu'à leur source (Lecteur DVD, ordinateur, etc.).
3. Insérez les clés USB ou les cartes SD qui seront utilisées.

Remarque: si vous changez ou retirez des câbles, des cartes USB ou des cartes SD ultérieurement, assurez-vous d'éteindre d'abord le projecteur, effectuez les réglages de câblage, puis remettez-le sous tension.

MISE SOUS TENSION ET RÉGLAGE DE L'IMAGE



Assurez-vous que toute votre vidéo et audio les câbles sont connectés et tous les périphériques USB ou SD ont été insérés. Ensuite, allumez le

projecteur en appuyant sur Power sur le projecteur ou la télécommande. Le voyant d'alimentation devient vert. Après la mise sous tension, utilisez le **bouton de réglage (1)** pour abaisser ou augmentez l'angle du projecteur si nécessaire pour qu'il touche la bonne zone de la projection. Vous voudrez alors concentrer l'image en tournant le **bouton de mise au point (2)**. En fonction de la taille de la projection, les bords de l'image peut être moins nette que le reste de l'image. C'est normal.

Si l'image est projetée à un angle vertical, elle peut être plus large en haut ou en bas (en forme de trapèze). Dans ce cas, utilisez le **bouton Keystone pour régler l'image (3)**.

MISE HORS TENSION

Pour éteindre le projecteur, appuyez simplement sur POWER deux fois. Après le premier appui, vous verrez une invite disant que presser à nouveau le pouvoir éteindre l'appareil et que toute autre touche annuler la mise hors tension. **Placez le couvercle de l'objectif sur le projecteur lorsqu'il n'est pas utilisé.**

OPÉRATION DE BASE

INPUT SOURCE
AV
HDMI1
HDMI2
VGA
Media Player
OK

Appuyez sur le bouton **SOURCE** pour afficher le menu Source d'entrée.

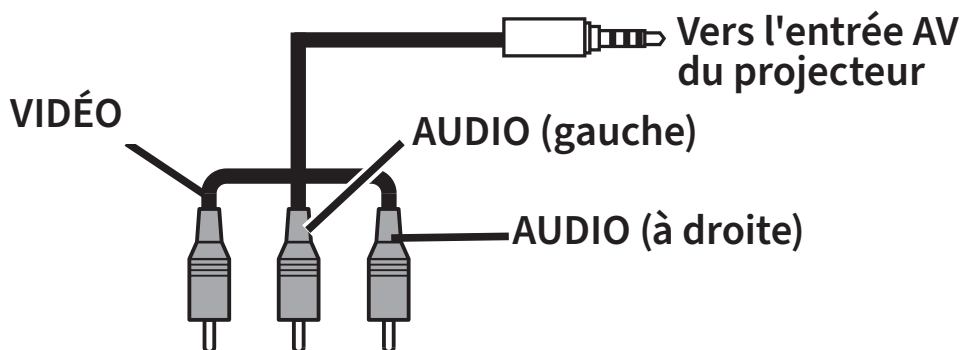
Appuyez sur le bouton ▼ / ▲ ou **SOURCE** pour sélectionner la source d'entrée, puis

Appuyez sur OK pour le sélectionner.

Vous pouvez appuyer sur **EXIT** pour quitter le menu Source d'entrée.

ENTRÉE AV

L'entrée «AV» du projecteur est destinée aux anciennes connexions RCA et nécessite un câble AV de 3,5 mm, tels que les suivants:



HDMI1 ET HDMI2

Connectez simplement votre source HDMI à ces entrées. Les câbles HDMI transportent à la fois la vidéo et l'audio.





VGA (ENTRÉE PC)

L'entrée VGA prend en charge les résolutions suivantes. Vous devrez peut-être définir les paramètres d'affichage de votre PC à l'un de ces modes vidéo (à l'un des taux de rafraîchissement répertoriés) avant de le connecter au projecteur et en sélectionnant VGA comme entrée avec le bouton **SOURCE**. Notez que VGA est une vidéo uniquement connexion et ne transporte pas audio.

Résolution	Hz (taux de rafraîchissement)
640 x 480	60, 70, 72, 75
800 x 600	50, 56, 60, 70, 72, 75
1024 x 768	50, 60, 70

MODE LECTEUR MÉDIA (CARTES USB / SD)

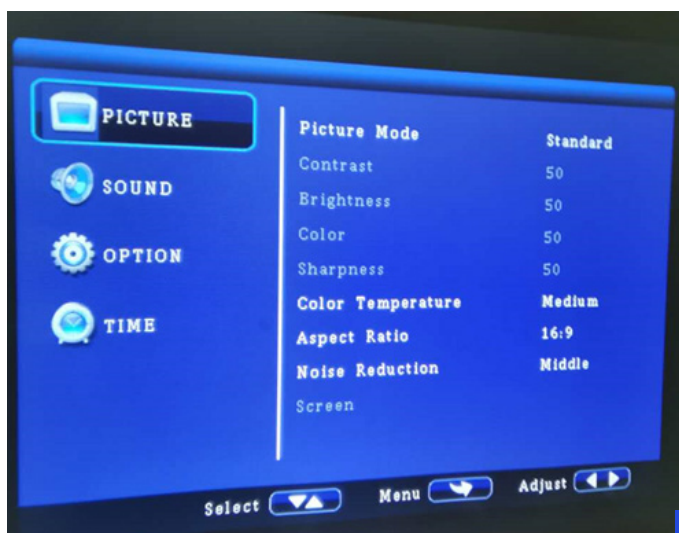
Votre projecteur possède à la fois un port USB et un emplacement pour carte SD pour la lecture multimédia. Chaque emplacement prend en charge une carte ou un lecteur d'une capacité maximale de 32 Go. Le projecteur prend en charge l'affichage ou la lecture de vidéos .jpg, mp3 ou mpeg. Appuyez sur **SOURCE** et sélectionnez le lecteur multimédia. Sélectionnez USB ou SD si nécessaire, puis l'interface du lecteur multimédia apparaîtra, vous permettant de lire le contenu. La plupart des commandes de lecture sont explicites, mais voici une explication de certaines des fonctionnalités supplémentaires que vous pouvez sélectionner pendant la lecture:

 Gérer la playlist	 Ralenti (vidéo)
 Afficher des informations sur le média actuel	 Avancer d'une image (vidéo)

N'oubliez pas:

- Seuls 200 fichiers par dossier sont pris en charge. Veuillez vous assurer que les images et autres médias ne dépassent pas cette limite.
- Lors de l'ajout ou du retrait d'un support USB ou SD, éteignez d'abord le projecteur, changez le support, puis remettez sous tension.

LE SYSTÈME DE MENU PRINCIPAL



Appuyez sur **MENU** pour accéder au système de menu principal. Ce est l'endroit où vous pouvez afficher ou modifier le projecteur paramètres. Il y a quatre sections principales dans le menu.



Utilisez le bouton directionnel à 4 directions du projecteur ou télécommande pour sélectionner la section Menu sur la gauche. Appuyez sur OK ou ► pour entrer menu.

Passons en revue certaines fonctionnalités de chacun de ces menus sections.

MENU IMAGE

Ce menu vous permet de modifier l'affichage pour mieux correspondre à la surface de projection. Le mode image vous permet de sélectionner un préréglage styles Vif, Doux ou Standard ou vous pouvez définir à "Utilisateur" pour l'ajuster vous-même. Le rapport hauteur / largeur peut être réglé sur 16: 9, 4: 3 ou "auto" comme vu ici. Réduction de bruit adoucit la statique / pixels et peut être utile pour certaines sources. L'option Écran en bas apporte un menu supplémentaire qui vous permet d'ajuster manuellement la position ou la taille de l'image projetée.

Picture Mode	Standard
Contrast	50
Brightness	50
Color	50
Sharpness	50
Color Temperature	Medium
Aspect Ratio	Auto
Noise Reduction	Mid
Screen	

MENU SON

Le mode son peut être sélectionné ici comme dans le menu du mode image. Vous pouvez sélectionner Musique, Film, Utilisateur (personnalisé), Sports ou Standard. Si vous jugent nécessaire de régler fréquemment le volume avec la source audio que vous utilisez, Le volume automatique peut être utile pour cela car il le sera règle automatiquement le niveau sonore.

Sound Mode	Standard
Treble	50
Bass	50
Balance	0
Auto Volume	Off
Surround Sound	Off

MENU DES OPTIONS

Ce menu vous permet de changer la langue, activez Bluetooth (abordé plus tard) ou sélectionnez Restore factory pour restaurer le projecteur aux paramètres d'usine. Panel Rotate est le paramètre utilisé pour faire pivoter l'image si le projecteur est utilisé pour autre chose que la projection de la table avant. Consultez la section «Installation de votre projecteur» pour le réglage correct. Info fournit des informations techniques sur le projecteur.

OSD Language	English
Bluetooth	
Restore Factory	
Panel Rotate	0
Info	

Sous-menu Langues

Déplacez la sélection du curseur autour de la grille pour sélectionner une langue. Les langues prises en charge sont:

Chinois, Dansk, Deutsch, Anglais, Esky, Espanol, Francais, Hrvatski, Italiano, Magyar, Nederlands, Norsk, Polski, Portugues, Romnete, slovaque, slovène, Srpski, Suomio et Svenska



MENU HEURE

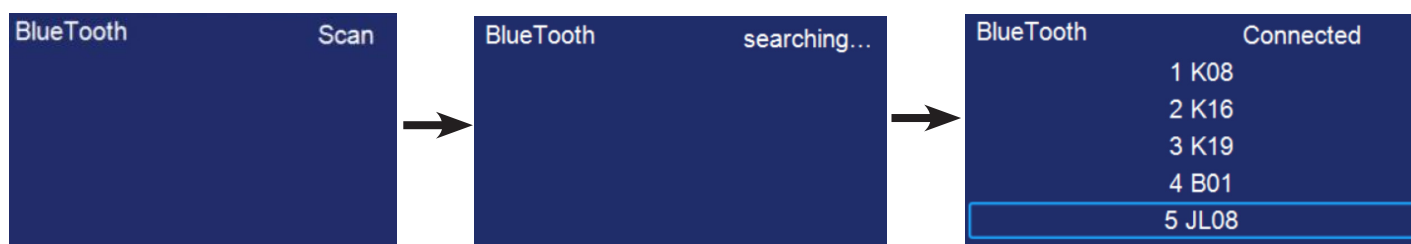
Ce menu vous permet de régler l'heure du système ou de régler une minuterie de veille pour qu'elle s'éteigne automatiquement (appuyez sur Power pour quitter le mode veille). Vous pouvez également définir une «heure de marche» ou une «heure d'arrêt» pour que l'appareil s'allume ou s'éteigne. Ceci n'est que pour une seule instance et ne se répète pas le jour suivant.

Clock	-- --
Off Time	Off
On Time	Off
Sleep Timer	Off
Auto Sleep	Never

UTILISATION DES HAUT-PARLEURS ET DES CASQUES EXTERNES

LECTURE BLUETOOTH

Le projecteur a ses propres haut-parleurs intégrés mais peut également être couplé avec des haut-parleurs Bluetooth. Le Bluetooth est désactivé par défaut. Activez Bluetooth dans le menu **Options** décrit dans la section précédente en sélectionnant Bluetooth dans le menu **Options** et en l'activant. Vous verrez une invite pour rechercher les appareils Bluetooth.



Activez Bluetooth sur le récepteur (haut-parleurs externes, barre de son, etc.) auquel vous souhaitez vous connecter. Les appareils tels que les smartphones, les tablettes ou les ordinateurs ne sont pas des récepteurs Bluetooth et ne se connecteront pas au projecteur. Pour éviter toute confusion, vous pouvez désactiver Bluetooth sur tous les récepteurs auxquels vous ne souhaitez pas vous connecter.

Assurez-vous que le haut-parleur Bluetooth est prêt à être couplé avec le projecteur et appuyez sur OK sur cet écran pour rechercher des haut-parleurs. Sélectionnez le haut-parleur Bluetooth sur l'écran du projecteur et appuyez sur **OK**. Vous verrez un message «Bluetooth connecté» une fois le couplage terminé. Le projecteur doit souvenez-vous de cette connexion à l'avenir. Si l'enceinte Bluetooth que vous avez couplée est allumée et à proximité avec le projecteur est à nouveau allumé, l'enceinte doit être automatiquement couplée. Sinon, retournez au menu Options et répétez les mêmes étapes pour coupler avec ce Bluetooth haut-parleur ou un autre.

SORTIE AUDIO

La prise casque (vue dans le schéma du produit au début de ce guide) peut être utilisée avec des écouteurs. Vous pouvez également connecter des haut-parleurs ici, comme vous le feriez pour connecter un ordinateur haut-parleurs à un PC. Cela nécessite un câble audio de 3,5 mm vers RCA.

INSTRUCTIONS D'ENTRETIEN

PROTÉGER LA LENTILLE

Placez toujours le couvercle de l'objectif sur le projecteur lorsqu'il n'est pas utilisé.

NETTOYAGE

- 1. Éteignez le projecteur et débranchez le câble d'alimentation avant de le nettoyer.**
- Nettoyez le projecteur avec un chiffon 100% coton ou un chiffon en microfibras.
 - Utilisez un chiffon sec si possible. Si nécessaire, utilisez un chiffon humide (mais pas mouillé) puis un chiffon sec après. N'utilisez pas de produits chimiques abrasifs (tels que de l'alcool, de la colophane ou toluène).
- Utilisez du papier pour objectif pour nettoyer l'objectif. Veillez à ne pas le rayer.

CONDENSATION

De l'humidité peut se former sur l'unité si elle est déplacée d'un environnement frais vers une pièce chaude ou si la température de la pièce augmente soudainement. Lorsque cela se produit, les performances de l'unité peuvent être affaiblies. Pour éviter cela, laissez l'appareil reposer dans son nouvel environnement pendant environ une heure avant d'allumer-le ou assurez-vous que la température ambiante augmente progressivement.

SPECIFICATIONS

Sortie de luminosité	Sortie de lumière blanche ANSI: 50.7 Lumens Puissance lumineuse: 2800 Lumens Durée de vie des LED: environ 20000 heures et plus
Résolution d'affichage native	800 x 480
Modes vidéo HDMI pris en charge	1080p, 1080i, 720p, 576i, 480p, et 480i
Consommation électrique en fonctionnement	36W; Veille 1W
Puissance d'entrée nominale	DC 12V, 3,5A
Spécifications de l'adaptateur secteur	Entrée AC100-240V,50/60Hz Sortie DC12V, 3,5 A
Couleur d'affichage	7000-8000K
Taille de projection	30-100 pouces
Prise en charge des clés USB et des cartes SD	Jusqu'à 32 Go de capacité Formats: mpeg1, mpeg2, mpeg4, mp3, jpeg
Poids	0,9 kg
Dimensions	203 x 150 x 82 mm
Révision Bluetooth	BT 5.0

DES CONSEILS DE DÉPANNAGE

PROBLÈME	CAUSE
Aucune image n'est projetée ou un message «Aucun signal» s'affiche	<ul style="list-style-type: none"> Le voyant d'alimentation est-il allumé? S'il n'est pas allumé, vérifiez que le projecteur est branché sur une prise de courant, puis appuyez sur le bouton d'alimentation du projecteur. Si l'appareil est sous tension, vérifiez que le cache de l'objectif a été retiré. Vérifiez que les câbles sont correctement connectés. La source d'image n'est peut-être pas réglée correctement. Appuyez sur le bouton SOURCE du Panneau de configuration ou de la télécommande pour sélectionner le paramètre correct.
La lampe (ampoule) s'éteint après une période de temps	<ol style="list-style-type: none"> Laissez le projecteur refroidir pendant quelques instants. Une fois refroidi, vérifiez si quelque chose bloque les orifices de ventilation. Allumez le projecteur. Si le problème persiste, veuillez contacter votre fournisseur d'assistance pour plus d'assistance.
L'image est plus large en haut / en bas de l'écran	C'est ce qu'on appelle «l'effet trapèze» et est dû au fait que l'angle de projection n'est pas perpendiculaire à l'écran. Pour corriger cela, utilisez le réglage du trapèze pour corriger l'image.
Spots sur l'écran	Utilisation d'un aspirateur portable pour nettoyer l'objectif. Si le nettoyage ne vous aide pas, veuillez contacter votre fournisseur d'assistance pour obtenir de l'aide.
La luminosité de l'image s'est estompée	Cela peut être dû à la lumière ambiante de la pièce. Éteignez les lumières ou placez des stores sur les fenêtres au besoin. Si la pièce est sombre et que la projection est encore faible, vous devrez peut-être remplacer la lampe (ampoule).

Avant de contacter le support client, veuillez consulter la section
Dépannage de la page précédente.

Visitez notre site Web pour nous contacter, trouver des réponses aux questions fréquemment posées et pour d'autres ressources pouvant inclure une version mise à jour de ce manuel de l'utilisateur.

 **WWW.IMPECCA.COM**

Si vous souhaitez nous contacter par téléphone, assurez-vous d'avoir votre numéro de modèle et votre numéro de série à portée de main et appelez-nous entre 9h00 et 18h00 HE, au +1 866-954-4440.

Gardez un œil sur les dernières innovations d'Impecca et participez à des concours via nos réseaux sociaux:

 www.facebook.com/Impecca/

 www.instagram.com/impecca/

 [@impeccausa](https://twitter.com/impeccausa)

GARANTIE LIMITÉE D'UN AN

Impecca® garantit ce produit contre les défauts de matériaux et de fabrication à l'acheteur original tel que spécifié ci-dessous à condition que le produit soit enregistré en ligne dans les quatorze (14) jours suivants l'achat.

PIÈCES – Si le produit a un défaut de fabrication dans un délai d'un (1) an à compter de la date d'achat initiale, Impecca® réparera ou remplacera les pièces du produit sans frais (pour les pièces) pour les consommateurs aux États-Unis et au Canada.

MAIN-D'OEUVRE – Si le produit a un défaut de fabrication dans un délai de quatre-vingt-dix (90) jours à compter de la date d'achat initiale, Impecca® réparera ou remplacera les pièces du produit sans frais (pour les pièces) pour les consommateurs aux États-Unis et au Canada. Après quatre-vingt-dix (90) jours, il en sera de la responsabilité du consommateur.

Les frais d'expédition à destination et à partir de notre centre de service de garantie sont à la charge du consommateur.

Pour obtenir le service de garantie par un centre de service autorisé Impecca®, veuillez nous écrire à : service@impecca.com pour obtenir une autorisation de réparation et d'entretien (ARE) ainsi que pour localiser le centre de service de garantie le plus près de vous. Une fois autorisé, vous devez envoyer le produit au centre de service autorisé Impecca® dans ses matériaux d'emballage d'origine ou l'équivalent, pour éviter tout dommage pendant le transport.

De plus, si Impecca® devait déterminer que le produit est en dehors des conditions de la garantie, Impecca® retournera le produit à l'expéditeur aux frais de celui-ci sans être réparé ou remplacé, sauf s'il est autorisé par le consommateur à servir le produit à garantie expiré aux frais du consommateur. Tous les frais de manutention ou de réapprovisionnement pour les retours et/ou les remplacements seront non remboursables.

Impecca® exclut expressément de cette garantie toutes pièces jointes non électriques/mécaniques, accessoires et pièces jetables, y compris, mais non limité à, l'extérieur du boîtier, les câbles de connexion, batteries et adaptateurs secteur. Impecca® se réserve le droit de réparer ou de remplacer les produits défectueux avec des modèles identiques, équivalents ou plus récents.

Nous nous réservons le droit de réparer ou de remplacer le produit à notre discrétion. Le remplacement peut être soit neuf ou remis à neuf et alors que tous les efforts seront faits pour s'assurer qu'il s'agit du même modèle, si le même modèle n'est pas disponible il sera remplacé par un modèle équivalent ou supérieur.

L'usure « normale » n'est pas couverte par la présente, ou toute autre garantie. De plus, Impecca® se réserve le droit de déterminer l'usure « normale » sur

tous les produits. L'altération ou l'ouverture du boîtier ou de la coquille du produit annulera cette garantie dans son intégralité.

De plus, cette garantie ne s'applique pas si le produit a été endommagé par accident, abus, mauvaise utilisation ou mauvaise application, a été altéré ou modifié sans l'autorisation écrite de Impecca®, a été réparé par un centre de réparation Impecca® non agréé, n'a pas été correctement entretenu ou utilisé conformément au manuel d'utilisation, a été utilisé à des fins commerciales ou autres que personnelles, a été esthétiquement endommagé, n'a pas été importé par Impecca®, n'a pas été fabriqué selon les spécifications du marché des États-Unis, a été endommagé suite à une mauvaise installation ou à une négligence de la part des consommateurs, a été endommagé suite à un mauvais emballage lors de l'expédition au centre de service de garantie, a été endommagé en raison de catastrophes naturelles ou si le numéro de série du produit a été retiré ou rendu illisible.

TOUTE GARANTIE IMPLICITE, Y COMPRIS TOUTE GARANTIE IMPLICITE DE QUALITÉ MARCHANDE ET D'ADAPTATION À UN USAGE PARTICULIER, EST LIMITÉE À UN (1) AN POUR LES PIÈCES ET QUATRE-VINGTS-DIX (90) JOURS POUR LA MAIN-D'OEUVRE À PARTIR DE LA DATE D'ACHAT INITIALE DE CE PRODUIT.

CES GARANTIES ET RECOURS SONT LES SEULS ET UNIQUES GARANTIES ET RECOURS CONCERNANT LA VENTE ET L'UTILISATION DU PRODUIT. AUCUNE AUTRE GARANTIE, ORALE OU ÉCRITE, EXPLICITE OU IMPLICITE, N'EST DONNÉE.

IMPECCA® N'EST PAS RESPONSABLE DE TOUT DOMMAGE, QU'IL SOIT PARTICULIER, ACCIDENTEL, INDIRECT, DIRECT OU AUTRE ÉTANT CONNU OU QUI AURAIT DU ÊTRE CONNU D'IMPECCA®, Y COMPRIS LA PERTE DE PROFITS, LA BONNE VOLONTÉ ET LA PROPRIÉTÉ AINSI QUE LES BLESSURES PERSONNELLES RÉSULTANTES D'UNE RUPTURE DE GARANTIE, DE L'INCAPACITÉ D'UTILISER LE PRODUIT OU SOUS TOUTE AUTRE THÉORIE JURIDIQUE CONTRACTUELLE OU DÉLICTELLE. LA RESPONSABILITÉ D'IMPECCA EST LIMITÉE AU PRIX D'ACHAT PAYÉ AU DÉTAILLANT DU PRODUIT DÉFECTUEUX.

Aucun revendeur, agent ou employé Impecca® n'est autorisé à faire quelques modifications, extension, changement ou amendement que ce soit de cette garantie sans le consentement écrit et l'autorisation d'Impecca®.

Certains États ne permettent pas l'exclusion ou la limitation des garanties implicites ou de la responsabilité pour les dommages directs ou indirects, ou ne permettent pas de limitation sur la durée d'une garantie implicite. Les limitations ou exclusions ci-dessus peuvent donc ne pas s'appliquer à vous. Cette garantie vous donne des droits légaux spécifiques et vous pouvez avoir d'autres droits, qui varient d'un État à l'autre.

Note : Notre centre de service de garantie expédie seulement à l'intérieur des États-Unis contigus, excluant l'Alaska et Hawaï.

Important : Assurez-vous d'enregistrer votre produit sur WWW.IMPECCA.COM dans les 14 jours

Impecca® USA • PA 18711 • www.impecca.com • service@impecca.com

**N'envoyez pas de retour à cette adresse, car ils risquent d'être perdus et cela va retarder votre processus de réparation et de service.*

