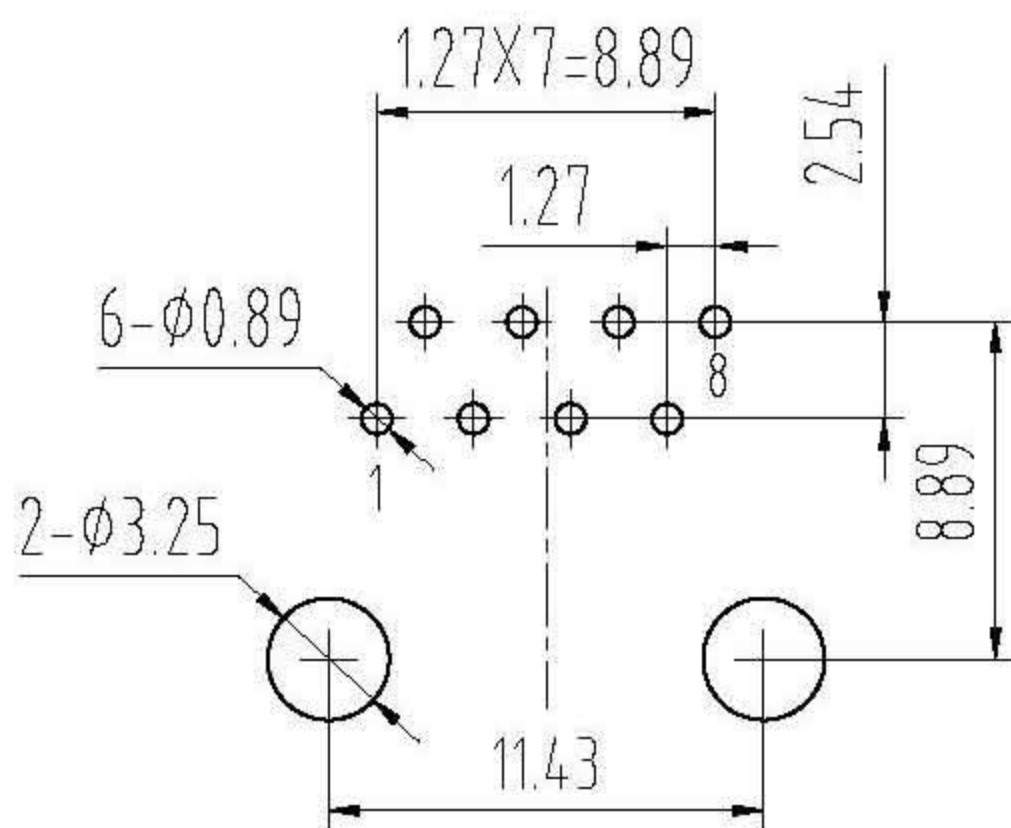
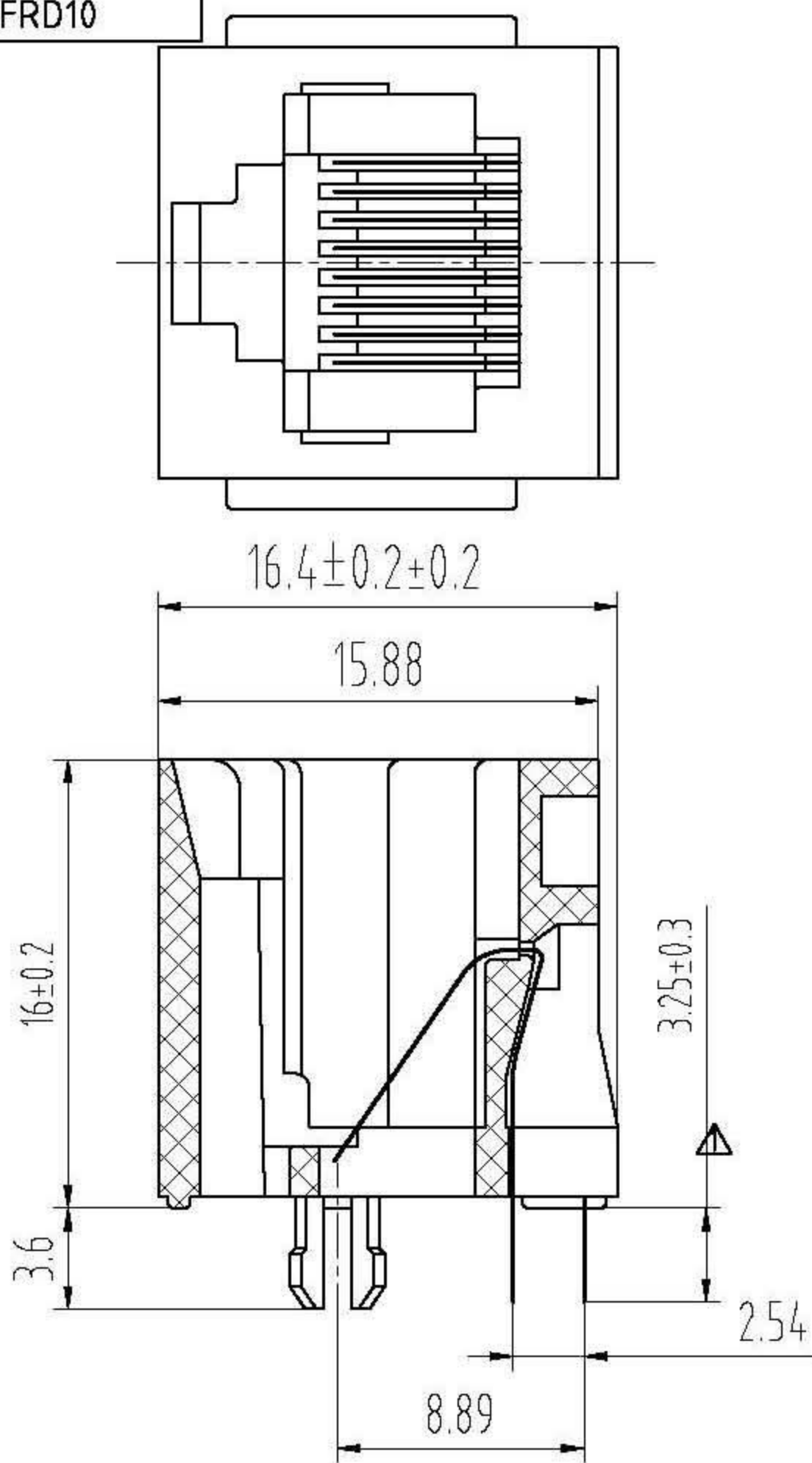


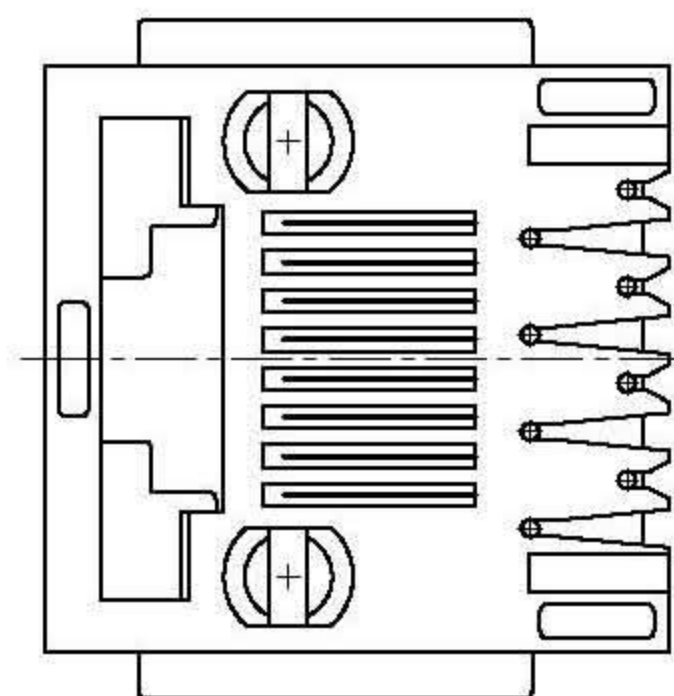
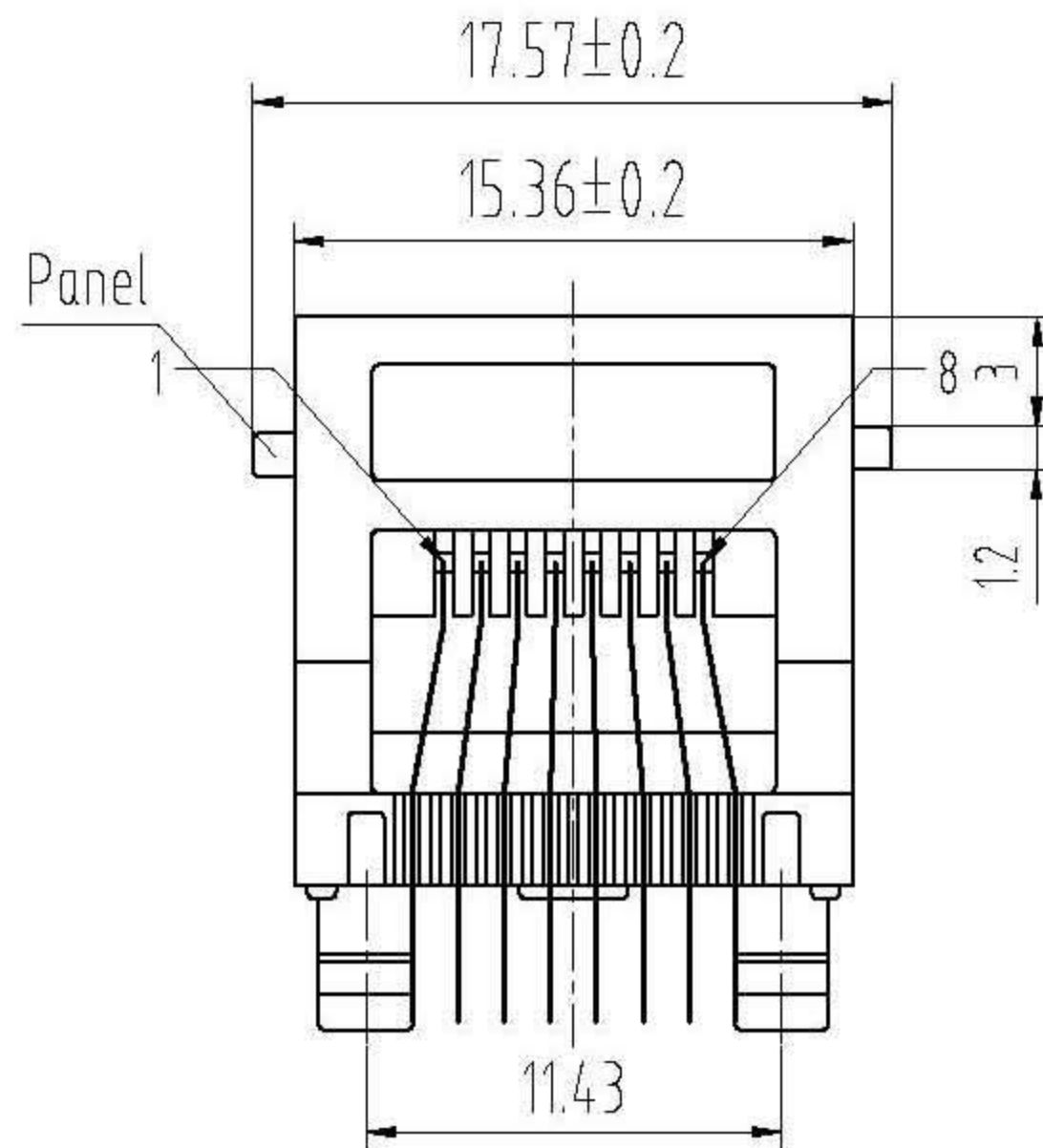
A1RFRD10

REVISION RECORD

REV	ECO	DESCRIPTION	DRFT	CHKD
△				



PC Board Layout
Component Side Shown



NOTES:

MATERIAL :

- 1.HOUSING MATERIAL :GLASS FILLED POLYESTER UL94V-0.
- 2.CONTACT MATERIAL :PHOSPHOR BRONZE ϕ 0.46mm.
- 3.PLATING :GOLD PLATING OVER NICKEL.

ELECTRICAL:

- 1.VOLTAGE RATING :125 VAC RMS.
- 2.CURRENT RATING :1.5 AMP.
- 3.CONTACT RESISTANCE :30 MILLIOHMS MAX.
- 4.INSULATION RESISTANCE :500 MEGOHMS MIN @ 500V DC .
- 5.DIELECTRIC WITHSTANDING RESISTANCE :1000V AC RMS 50Hz. 1MIN.

MECHANICAL:

- 1.DURRABILITY :750 CYCLES MIN.
- 2.PCB RETENTION PRE-SOLDER :1 LB MIN.

ENVIRONMENTAL:

- 1. STORAGE : -40°C~+85°C
- 2. OPERATION : 0°C TO 70°C.

PART NUMBER:

52 SERIES TOP ENTRY JACK HY52A X X-X X X X X X

POSITIONS	CONTACTS	PANEL	HOUSING PEG	PLASTIC	COLOR	LOGO	GOLD PLATING
4-4 POSITIONS 6-6 POSITIONS 8-8 POSITIONS	2-2 CONTACTS 4-4 CONTACTS 6-6 CONTACTS 8-8 CONTACTS	0-W/O PANEL 1-W/ PANEL	1-SPLIT LONG PEG 2-SPLIT SHORT PEG 3-"L" PEG	1-PBT 2-NYLON66 3-NYLON46 4-ABS	1-BLACK 2-WHITE 3-GRAY 4-IVORY	0-W/O LOGO 1-W/ HYE 2-W/ UL 3-W/ HYE&UL	1-15u" 2-3u" 3-6u" 4-15u" 5-30u" 6-50u"

MM (INCH)		DFTO	DATE	TITLE	
TOLERANCES EXCEPT AS NOTED		DAMEL	05/05/11	HY52A8X-11XXXX	
MM		CHKD	06/07/28	52 SERIES TOP ENTRY JACK	
0 ± 0.15	±	MFO	DATE	DRAWING NO. TE52A1110	
0.00 ± 0.075	±	APPVL	DATE	/PART NO.	
0.00 ± 0.05	±	MATERIAL :		SIZE A3	
ANGLES ± 0.5		QTY :		REV 0	
THIRD ANGLE PROJECTION		FINISH :		DO NOT SCALE DRAWING	
		SCALE :		SHEET OF	