

Identification Data

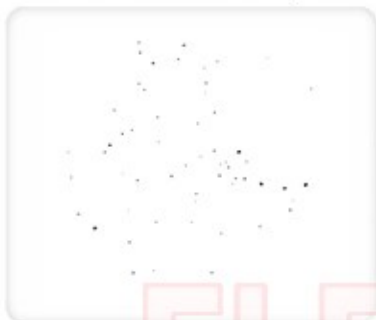


November 22, 2019

LAB GROWN DIAMOND
Certificate No: 293100184

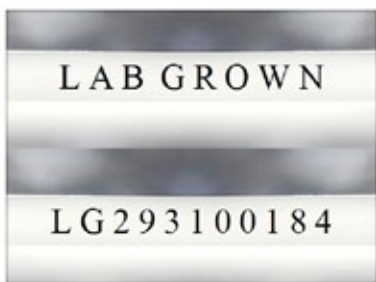
Gemprint[®]

Gemprint is the unique optical fingerprint for positive identification of your lab grown diamond. Register your lab grown diamond at www.Gemprint.com and receive insurance discounts up to 10%.



Laser Inscription:

The illustration depicts enlarged and approximate appearances of the inscriptions. Girdle laser inscribed "LAB GROWN" and "LG293100184"



The 4Cs Grading Analysis

GCAL 293100184

LAB GROWN DIAMOND*

Carat Weight: 2.03

Cut: Very Good
Shape: Princess
Measurements: 6.76x6.59x4.81mm
Optical Brilliance: Excellent
Optical Symmetry: Good
Polish: Very Good
External Symmetry: Good
Girdle Thickness: Very Thick-Ex. Thick
Culet Size: None

Color: G
Fluorescence: None

Clarity: VS1
Identifying Characteristic(s): Feather
Characteristic Location(s): Girdle

*Comments: This man-made diamond was grown in a laboratory by the CVD method, and has the same chemical, physical, and optical properties as an earth mined diamond.

Photomicrographs:

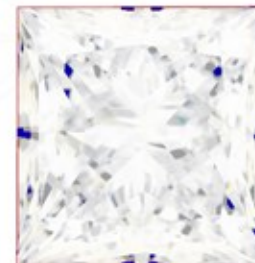
Actual images of the crown (top) and pavilion (bottom) of this diamond photographed at magnifications up to 10x.



Light Performance Profile

Optical Brilliance Analysis:

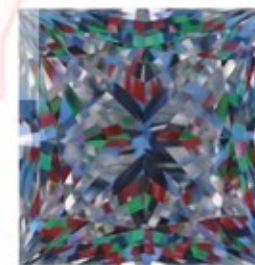
Brilliance is the overall return of light to the viewer. The brilliance image is a representation of (a) white areas of light return, or brilliance, and (b) dark-blue areas of light loss.



Optical Brilliance
Excellent

Optical Symmetry Analysis:

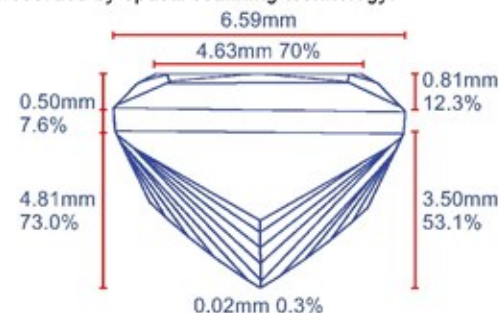
The colored areas of the symmetry image are indications of light handling ability, giving a visual representation of proportions and facet alignment.



Optical Symmetry
Good

Proportion Diagram:

The proportion diagram illustrates the actual dimensions as recorded by optical scanning technology.



GCAL
GEM CERTIFICATION & ASSURANCE LAB
INTEGRITY GUARANTEED™



ISO/IEC 17025:2017 ANAB Accredited Testing Lab
580 Fifth Avenue, New York, NY 10036, T 212.869.8985 F 212.869.2315
www.DiamondID.com, www.GemFacts.com, www.Gemprint.com