

## Identification Data

May 02, 2017

LAB GROWN DIAMOND   
Certificate Number 271100010

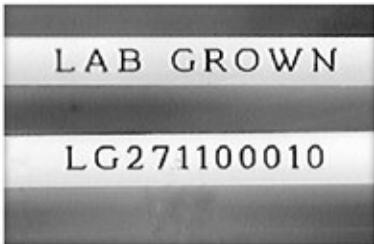
**Gemprint**

Gemprint is the unique optical fingerprint for positive identification of your lab grown diamond. Register your lab grown diamond at [www.Gemprint.com](http://www.Gemprint.com) and receive insurance discounts up to 10%.



## Laser Inscription:

Actual image of the inscription photographed at magnification greater than 10x  
Girdle laser inscribed "LAB GROWN" and "LG271100010"



## The 4Cs Grading Analysis

GCAL 271100010

LAB GROWN DIAMOND\*

**Carat Weight:**

1.10

**Cut:**

Very Good

Shape:

Princess

Measurements:

5.73x5.62x3.78mm

Polish:

Very Good

External Symmetry:

Very Good

Girdle Thickness:

Medium-SI.Thick

Culet Size:

None

**Color:**

E

Fluorescence:

None

**Clarity:**

VS2

Identifying Characteristic(s): Internal Growth Characteristics

Characteristic Location(s): Crown

\*Comments: This man-made diamond was grown in a laboratory by the CVD method, and has the same chemical, physical, and optical properties as a natural earth mined diamond.

This lab grown diamond is classified as Type IIa, which is the most chemically pure type of diamond, and almost or entirely devoid of impurities. Only 1-2% of natural earth mined diamonds are Type IIa, whereas, colorless and near-colorless CVD lab grown diamonds are usually Type IIa.

## Photomicrographs:

Actual images of the crown (top) and pavilion (bottom) of this diamond photographed at magnifications up to 10x.

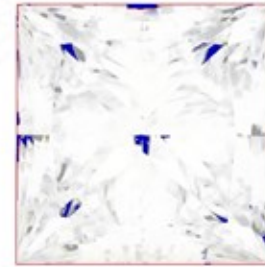


## Light Performance Profile

### Optical Brilliance Analysis:

Brilliance is the overall return of light to the viewer. The brilliance image is a representation of (a) white areas of light return, or brilliance, and (b) dark-blue areas of light loss.

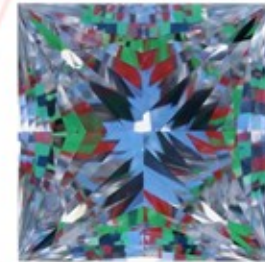
Excellent



### Optical Symmetry Analysis:

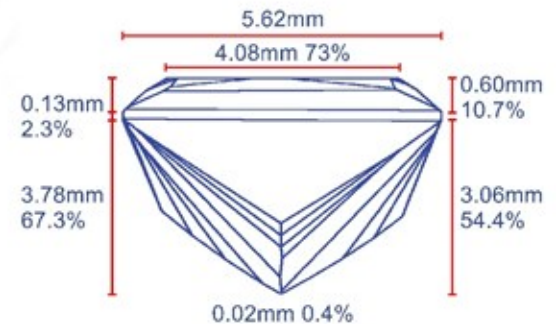
The colored areas of the symmetry image are indications of light handling ability, giving a visual representation of proportions and facet alignment.

Good



### Proportion Diagram:

The proportion diagram illustrates the actual dimensions as recorded by optical scanning technology.



**GCAL**  
GEM CERTIFICATION & ASSURANCE LAB  
INTEGRITY GUARANTEED™

ISO 17025  
Laboratory Accredited

580 Fifth Avenue, New York, NY 10036, T 212.869.8985 F 212.869.2315  
[www.DiamondID.com](http://www.DiamondID.com), [www.GemFacts.com](http://www.GemFacts.com), [www.Gemprint.com](http://www.Gemprint.com)

© 2017 GCAL

© 2015 Gem Certification & Assurance Lab, Inc. All Rights Reserved

Guaranteed Lab Grown Diamond Grading Certificate

ELECTRONIC COPY