

Identification Data

November 10, 2016

LAB GROWN DIAMOND 
Certificate Number 263120046

Gemprint

Gemprint is the unique optical fingerprint for positive identification of your lab grown diamond. Register your lab grown diamond at www.Gemprint.com and receive insurance discounts up to 10%.



Laser Inscription:

Actual image of the inscription photographed at magnification greater than 10x
Girdle laser inscribed "LAB GROWN" and "LG263120046"



The 4Cs Grading Analysis

GCAL 263120046

LAB GROWN DIAMOND*

Carat Weight: 0.56

Cut: Very Good

Shape: Princess
Measurements: 4.53x4.46x3.08mm
Polish: Good
External Symmetry: Very Good
Girdle Thickness: Medium-SI.Thick
Culet Size: None

Color: Fancy Orangy Pink
Fluorescence: Strong Orange

Clarity: SI2

Identifying Characteristic(s): External Growth Characteristic/
Internal Growth Characteristic
Characteristic Location(s): Table,Crown Shoulder/Table

*Comments: This man-made diamond was grown in a laboratory by the CVD method, and has the same chemical, physical, and optical properties as a natural earth mined diamond. Additional post growth processes have produced the color.

Photomicrographs:

Actual images of the crown (top) and pavilion (bottom) of this diamond photographed at magnifications up to 10x.

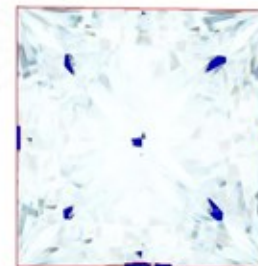


Light Performance Profile

Optical Brilliance Analysis:

Brilliance is the overall return of light to the viewer. The brilliance image is a representation of (a) white areas of light return, or brilliance, and (b) dark-blue areas of light loss.

Excellent



Optical Symmetry Analysis:

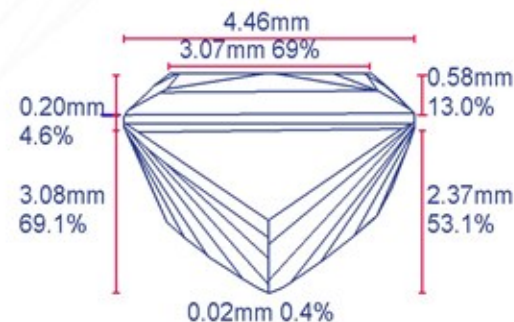
The colored areas of the symmetry image are indications of light handling ability, giving a visual representation of proportions and facet alignment.

Good



Proportion Diagram:

The proportion diagram illustrates the actual dimensions as recorded by optical scanning technology.



GCAL
GEM CERTIFICATION & ASSURANCE LAB
INTEGRITY GUARANTEED™



580 Fifth Avenue, New York, NY 10036, T 212.869.8985 F 212.869.2315
www.DiamondID.com, www.GemFacts.com, www.Gemprint.com

© 2016 GCAL

© 2015 Gem Certification & Assurance Lab, Inc. All Rights Reserved