



Iridium Pilot[®]

Installation Guide

Version 3.1

Effective September 2014

Notice:

Export Compliance Information. This product is controlled by the export laws and regulations of the United States of America. The U.S. Government may restrict the export or re-export of this product to certain individuals and/or destinations.

For further information, contact the U.S. Department of Commerce, Bureau of Industry and Security or visit www.bis.doc.gov.

Disclaimer:

Every effort has been made to ensure the correctness and completeness of the material in this document. No company shall be liable for errors contained herein. The information in this document is subject to change without notice. No warranty of any kind is made with regard to this material, including, but not limited to, the implied warranties of merchantability and fitness for a particular purpose.



Prior to installing or using Iridium Pilot, read and understand this Installation Guide and the User Manual, including the safety warnings and information. Failure to do so could result in serious injury or death.

See Legal Notices on page (ii), Limited Warranty and Limitations at Appendix G, and the Iridium Pilot User Manual.

Iridium, Iridium Pilot, and the Iridium Logo are registered trademarks of Iridium Satellite LLC and its affiliates. All other trademarks, service marks and logos are the property of their respective holders, which have not endorsed, sponsored or otherwise affiliated with Iridium.

Legal Notices

This Installation Guide provides installation information and is provided “as is.” Iridium and its affiliated companies, directors, officers, employees, agents, trustees or consultants (“Iridium”) assume no responsibility for any typographical, technical, content or other inaccuracies in this Installation Guide. Iridium reserves the right to revise this Installation Guide or withdraw it at any time without prior notice. You can find the current version of this Iridium Pilot® Installation Guide at www.iridium.com.

Your Iridium Pilot is subject to Terms and Conditions, Limited Warranty (including Exclusions, Disclaimers, Limitations of Liability and Conditions of Use) and a Software License, which were included in the packaging with your Iridium Pilot, and which can also be found in the Appendices to this Installation Manual, and in your User Manual. If there are discrepancies in the wording of the Limited Warranty, that version associated with the User Manual is controlling. You are permitted to use Iridium Pilot only as described and specified in this Installation Guide, the User Manual, and the Limited Warranty. By using the Iridium Pilot, you are indicating that you agree to comply with the terms set forth in this Installation Guide as well as the User Manual, including without limitation the Limited Warranty, including the section describing permitted use of Iridium Pilot (the “Conditions of Use”). If you fail to comply with the Limited Warranty and the Conditions of Use, Iridium may void certain protections offered under the Limited Warranty and Iridium reserves the right to terminate your right to use Iridium Pilot on the Iridium system. If you do not accept the terms of the Limited Warranty and Conditions of Use, do not use Iridium Pilot.



Prior to Installing Iridium Pilot, read and understand this Installation Guide and the User Manual, including the safety warnings and information. Failure to do so could result in serious injury or death.

If you do not have the Iridium Pilot User Manual, it can be found at www.iridium.com or call 1-866-947-4348 (or +1-480-752-5155 for outside U.S.) and request that a User Manual be sent to you.

Third Party Information

This Installation Guide might refer to third party sources of information, hardware or software, products or services and/or third party web sites (“third party information”). Iridium does not control, and is not responsible for, any third party information, including without limitation the content, accuracy, copyright compliance, compatibility, performance, trustworthiness, legality, decency, links, or any other aspect of third party information. The inclusion of such third party information does not imply endorsement by Iridium of the third party information. ANY THIRD PARTY INFORMATION THAT IS PROVIDED WITH IRIDIUM’S FACILITIES, SERVICES, PRODUCTS OR USER INFORMATION IS PROVIDED “AS IS”. IRIDIUM MAKES NO REPRESENTATIONS, GUARANTEES OR WARRANTIES IN RELATION TO THIRD PARTY INFORMATION AND IRIDIUM SHALL NOT BE LIABLE FOR ANY LOSSES, DAMAGES, LIABILITIES, JUDGMENTS, AND FINES, AMOUNTS PAID IN SETTLEMENT, EXPENSES OR COSTS OF DEFENSE SUSTAINED IN RELATION TO ANY SUCH THIRD PARTY INFORMATION.

Intellectual Property, Trade Secret, Proprietary or Copyrighted Information

To protect Iridium proprietary and confidential information and/or trade secrets, this Installation Guide may describe some aspects of Iridium technology in generalized terms. Iridium products may include copyrighted Iridium and third party software. Any such copyrighted software contained in Iridium products may not be modified, reverse engineered, distributed or reproduced in any manner to the extent provided by law. The purchase of any Iridium products shall not be deemed to grant either directly or by implication or otherwise, any license under copyrights, patents, or patent applications of Iridium or any third party software provider, except for the normal, nonexclusive, royalty free license to use that arises by operation of law in the sale of a product.

Content Copyright

You are exclusively responsible for the use of Iridium Pilot, including proper use of third party copyrighted materials. If you violate these terms, you agree to defend, indemnify and hold Iridium harmless with respect to any claims or actions by third parties related to your improper use of copyrighted material and to pay all costs, damages, fines and other amounts incurred by Iridium, or on its behalf, in the defense of any such claims or actions.

Contents

Section I – INTRODUCTION	1
1. Introduction	1
2. Safety Summary	2
3. Overview of Operation	4
Section II – INSTALLATION	7
4. Broadband Subscriber Unit Components	7
5. Interconnection Diagram.....	8
6. Installation Considerations and Overview	9
7. How to Connect the System	13
8. Installing the System	14
9. Install Performance Testing.....	22
Section III – NETWORK CONFIGURATION.....	25
10. Initial System Configuration	25
11. Configuration of LAN Settings	26
Section IV – TROUBLESHOOTING	29
12. Fault Overview	29
13. LED State Table	29
14. Troubleshooting	29
15. Access Denial	32
16. Performance Problems	32
Section V – APPENDICES	33
Appendix A – Regulatory Approvals	33
Appendix B – Specifications	36
Appendix C – ADE/BDE Cable	39
Appendix D – Ground Cables.....	41
Appendix E – Installation Templates	45
Appendix F – Dimensional Drawings.....	47
Appendix G – Terms and Conditions, Limited Warranty (including Exclusions and Limitations), Software License and Claim Process.....	57
Appendix H – Site Survey Tool (SST).....	65

Section I – INTRODUCTION

1. Introduction

Thank you for purchasing Iridium Pilot®, the NEXT generation solution for maritime broadband voice and data communications. Leveraging the world's furthest reaching and only truly global communications network, Iridium Pilot delivers exceptional performance, reliability and durability anywhere on the planet. Powered by the Iridium OpenPort® service, and backed by an industry-leading warranty, you can count on a secure, real-time connection — wherever you happen to sail.

About This Manual

This is the installation guide for the Iridium Pilot platform. The readers of this manual include anyone who intends to install this system. Specific skills are required to install the Iridium Pilot platform and therefore, it is important that you observe all safety requirements listed in the beginning of this manual, and operate the system according to this guide's guidelines.

This guide provides you with complete information on the installation and testing of the Iridium Pilot Terminal. This includes the following:

- System installation
- System start-up and test
- PC & network configuration
- System Administration
- Troubleshooting

Terms to Know

- ADE: Above Decks Equipment, the radiating unit.
- BDE: Below Decks Equipment, the user interface unit.
- IBSU: Iridium Broadband Subscriber Unit, The ADE and BDE together
- POTS: Plain Old Telephony System
- SIM: Subscriber Identity Module
- PSU: Power Supply Unit
- Provisioned: A term used to indicate the SIM card is activated for voice and data connection. This can only be done by the Service Provider.

2. Safety Summary

The ADE and the BDE should be installed by a qualified professional technician trained in the installation of marine electronics and antennas. Failure to comply with these precautions or with specific warnings on the equipment, in the User Manual or in this guide violates the safety standards of the design, manufacture and intended use of this equipment.

WARNING



Prior to Installing Iridium Pilot, read and understand this Installation Guide and the User Manual, including the safety warnings and information. Failure to do so could result in serious injury or death.

If you do not have the Iridium Pilot User Manual, it can be found at www.iridium.com, or call 1-866-947-4348 (or +1-480-752-5155 for outside U.S.) and request that a User Manual be sent to you.

Follow all safety precautions carefully. Improper installation may result in injury or inability of the equipment to function properly. Only a qualified professional technician trained in the installation of marine electronics and antennas should remove the installation cover on the BDE.

Iridium Satellite LLC disclaims all liability for failure to comply with these requirements and improper installation.

Shock Hazard

WARNING



The Below Deck Equipment (BDE) contains low voltage that may cause serious injury if opened. Do not, under any conditions, open or dismantle the BDE. Failure to follow these instructions could result in serious injury or death.

Radiation Hazard

The Federal Communications Commission has adopted a safety standard for human exposure to RF (Radio Frequency) energy, which is below the OSHA (Occupational Safety and Health Act) limits.

WARNING

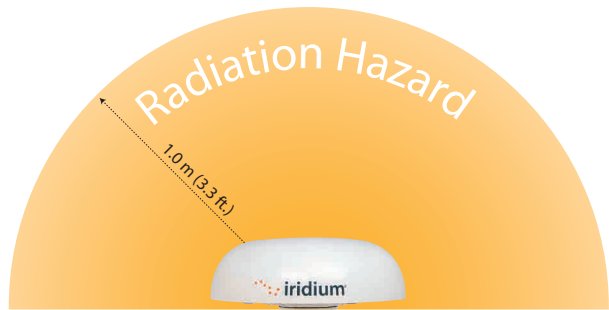


The Above Decks Equipment (ADE) transmits radio frequency energy (RF) that may cause thermal injuries including tissue damage from increased heating and body temperature. When the system power is ON keep all personnel a minimum of 1.0 m (3.3 ft.) from the antenna (see Radiation Hazard). Failure to do so could result in serious injury or death.

Figure 1.



RF Warning Label on ADE



Description	Minimum Distance from Antenna
within 0° - 180° of the antenna elevation range	1.0 m (3-3 ft.)

Antenna mounting and substitution

The antenna supplied by the manufacturer or radio dealer must not be mounted at a location such that during radio transmission, any person or persons can come closer than the indicated minimum safe distance to the antenna: 1.0 m (3.3ft).

To comply with current FCC RF Exposure limits, the antenna must be installed at or exceeding the minimum safe distance shown above, and in accordance with the requirements of the antenna manufacturer or supplier.

Base Station Installation: The antenna should be fixed-mounted on an outdoor permanent structure. RF Exposure compliance must be addressed at the time of installation.

You may contact your radio dealer or the manufacturer for further instructions. You, as the qualified end-user of this radio device must control the exposure conditions of bystanders to ensure the minimum separation distance (above) is maintained between the antenna and nearby persons for satisfying RF Exposure compliance. The operation of this transmitter must satisfy the requirements of Occupational/Controlled Exposure Environment, for work-related use. Transmit only when person(s) are at least the minimum distance from the properly installed, externally mounted antenna.

If you have any concerns about the adequacy of the mounting or support for the Iridium Pilot device, seek advice from a structural engineer or other qualified individual.

WARNING

Exposure to radio frequency energy (RF) from the antenna may cause thermal injuries including tissue damage from increased heating and body temperature. Keep everyone at a safe distance from the antenna when the system power is ON. Personnel must maintain a minimum separation distance of 1.0 m (3.3 ft) from the unit and installers must place ADE transmitter in a manner to maintain minimum spacing requirement. Failure to do so could result in exposure to radio frequency energy (RF) transmitted from the ADE that could result in serious injury or death.

! WARNING

Exposure to radio frequency energy (RF) from the antenna may cause thermal injuries including tissue damage from increased heating and body temperature. Do not substitute any antenna for the one supplied or recommended by the manufacturer or radio dealer. Substitution of antennas could cause exposure to excess radio frequency radiation which could result in serious injury or death.

! WARNING

ADE must be properly mounted and secured to vessel. Failure to do so could result in detachment of the unit, causing disruption in operation of the unit, or danger from a falling unit, which could result in serious injury or death.

! WARNING

Damage to the paint coating may allow rust to the ADE which could result in failure of the ADE. This in turn could cause disruption in operation of the Iridium Pilot device or danger from a falling unit. Avoid damaging the paint coating. If damage occurs, re-apply appropriate anti-corrosion paint. Failure to do so could result in serious injury or death.

Blasting Areas**! WARNING**

To avoid interfering with blasting operations, turn your device OFF when in a "blasting area" or in areas posted: "Turn off two-way radio." Obey all signs and instructions. Failure to do so could result in serious injury or death.

3. Overview of Operation

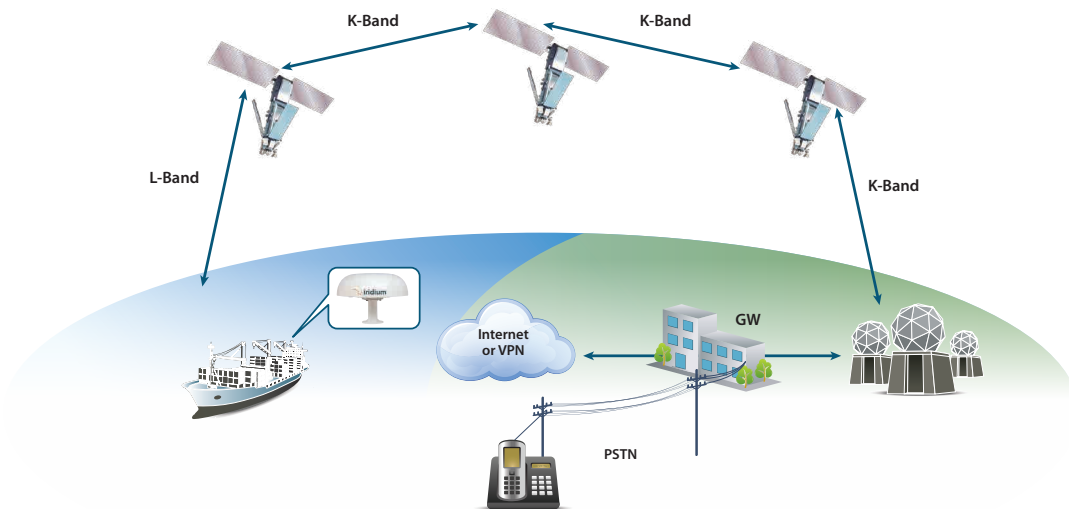
Iridium's constellation consists of 66 low-earth orbiting (LEO), cross-linked satellites operating as a fully meshed network and supported by multiple in-orbit spares. Iridium has gateways in Arizona and additional telemetry, tracking and control facilities in Canada and Norway. It is the largest commercial satellite constellation in the world.

Figure 2.



An Iridium Pilot voice or data call is received by the closest satellite to the device's current location, anywhere on the Globe. The traffic is routed through the meshed satellite network and lands at the Alaska Ground Station, and, is then routed over terrestrial networks to the Gateway in Arizona. At the gateway, traffic is converted back to internet protocol (IP) and voice, depending on call type and delivered to the IP cloud or the public switched telephone network (PSTN).

Figure 3.



Section II – INSTALLATION

4. Broadband Subscriber Unit Components

1. Above Decks Equipment (ADE): The ADE provides the communication connection between the BDE and Iridium’s satellites. The ADE will automatically locate and track Iridium satellites overhead using a solid state antenna array.

Figure 4.



Mounting Bracket (not shown): Platform to attach mounting pole and ADE to flat surface. This is an optional accessory used to connect the ADE to the mast.

2. Below Decks Equipment: The Below Decks Equipment (BDE) is the appliance to which you connect your telephones and computers. It is capable of handling three POTS/RJ11 telephone handsets and one Ethernet data connection.

3. ADE / BDE Cable (20 m and 50 m cable available): The cable connects the ADE to the BDE. It is triple-shielded and has a waterproof connection for the ADE. Consult your Iridium service provider for availability. To maintain the waterproofing and shielding integrity of the cable, take care when altering the cable in any way. The pin-out of the interface cable can be found in Appendix C.

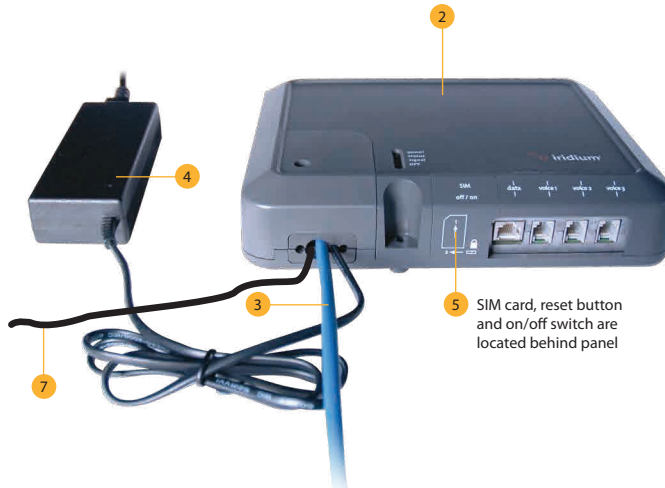
4. BDE Power Supply Unit: The AC Power Supply Unit (PSU) provides power to the BDE.

5. SIM: The SIM card validates the system at start-up, allows connection to the Iridium network and provisions the appropriate phone and data lines.

6. ADE Ground Cable (3m standard and 8m available): The ground cable connects the ADE to a grounded source at the point of installation. Comes with an adapter kit to facilitate alternative installations.

7. BDE Ground (2.5m standard): Ground cable to ground the BDE at the installation location

Figure 5.



Installer/Customer Furnished Equipment

- **Mounting Pole:** Used to establish vertical position of ADE. Must have additional support if exposed to high winds.
- **Ethernet Cable:** Use if data connection is provisioned. The total maximum length from the ADE to the computer cannot exceed 100 meters.
- **Fasteners:** Fasteners supplied for the connection of the mounting bracket to the ADE. User must supply required fasteners particular to the specific mounting location of the ADE assembly as well as the terminating ends of the ground cables (ADE and BDE).
- **Strap wire with electrical clips:** To be used for grounding the ADE/BDE cable prior to installation. Prevents static discharge that may have built up on the cable during installation process.

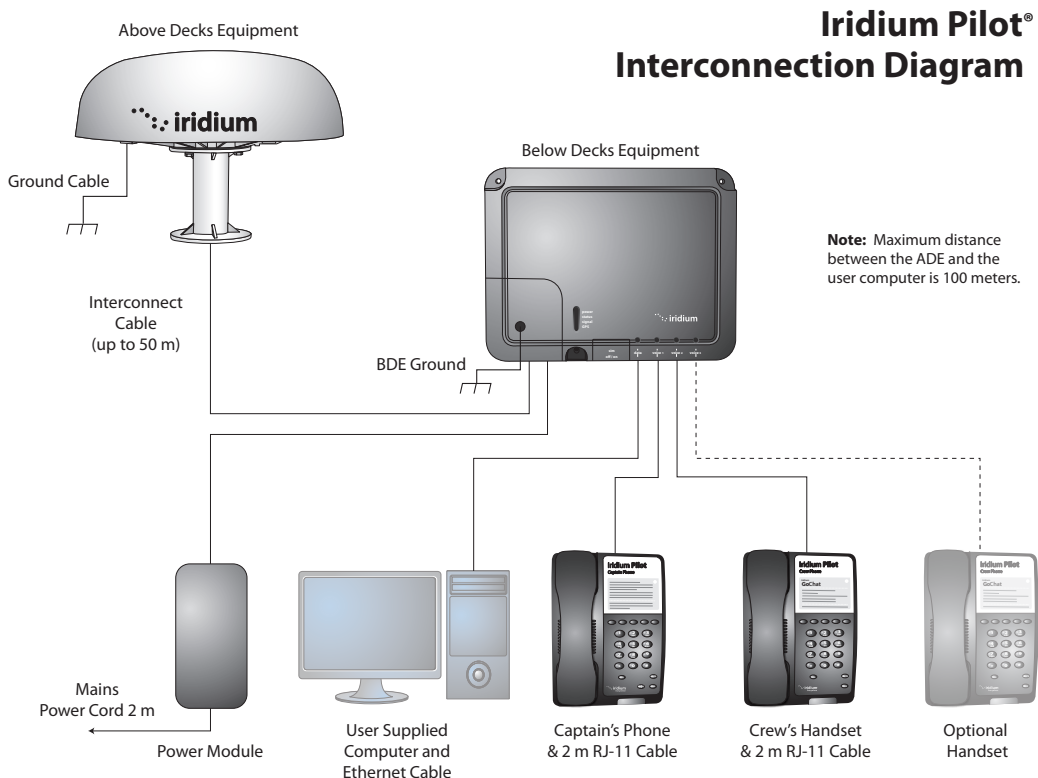
Recommended Practices/Supplies

Iridium recommends that a surge suppressor or universal power supply (UPS) unit is installed along with the Iridium Pilot product.

Iridium has provided ground cables for both the ADE and the BDE. Please read the installation instructions fully before beginning the installation in order to understand the required ground connection procedure.

5. Interconnection Diagram

Figure 6.



Understanding the Interface Between ADE and BDE

The BDE provides isolated 48 volts to operate the transceiver and digital base-band processor in the ADE. There is an E1 interface that carries voice information from the BDE to the ADE. The E1 also provides communications for housekeeping between the two devices, for SIM interfacing and “reset to factory defaults” commands. Lastly there is an Ethernet connection thru the BDE connecting directly to the ADE base-band processor.

6. Installation Considerations and Overview

Considerations

The single most important consideration of the Iridium Pilot installation is location of the ADE. It must be located to minimize obstructions that block transmission to and from the satellites and be far enough away from potential radio interferers that will degrade or jam reception of the Iridium downlink. The ADE should also be located where passengers and crew do not accidentally violate the 1 meter RF Radiation hazard zone. Most installations will not result in a perfect location due to the competition for real estate on the antenna bridge, but an optimized location will result in a fully functional unit.

Overview of the Installation Process

1. Conduct a visual survey to identify locations for installation of the product. Place emphasis on avoiding potential interference (see section 8) and a clear view of the sky, and place ADE transmitter in a manner to maintain minimum spacing requirement of 1.0 from the antenna to a person.
2. Analyze and rank each of the potential sites.
3. Review User Manual and Installation Guide Warnings.
4. Temporary connection of equipment may be necessary to test and validate the potential ADE location(s). These tests should be run with all vessel RF systems operational.
5. Run the “Site Survey Tool” supplied on the accessory CD with your product. This will help to identify and quantify interferers with the ADE.
6. Installation of the ADE and BDE
 - Install the mast or manufactured mounting bracket for the ADE
 - Route the ADE/BDE cable and ground metal RJ-45 housing using strap wire/electrical clips
 - Connect ADE/BDE cable to ADE
 - Mount the ADE
 - Connect the ground cable from the ADE to the ground connection
 - Mount the BDE
 - Remove electrical clips, route ADE/BDE cable to BDE and connect
 - Connect the ground cable to the BDE and then connect other end to local ground connection
 - Connect power supply to BDE
 - Connect phones
 - Test the system

Installation Parts and Tools

- Iridium Pilot unit – ADE, BDE, power module, handsets, interconnect cable, ground cables, optional mounting bracket and mounting hardware.
- User supplied mast
- Windows compatible computer
- Iridium Pilot accessory CD
- Ethernet cable
- RJ11 phones

- Slotted and Phillips screw drivers
- Hammer and center punch
- Power drill and associated bits
- Wire cutters
- Wire strippers and terminal lug crimper
- RJ-45 Crimp tool
- Electrical tape
- Strap wire/electrical clips for temporary grounding the ADE/BDE cable (alligator clips)
- Ground connection point for ADE and BDE

6.1 Choosing a Location for the ADE

Proper location is critical to ensure proper communications between the Iridium Broadband Subscriber Unit (IBSU) and the Iridium satellite network.

WARNING



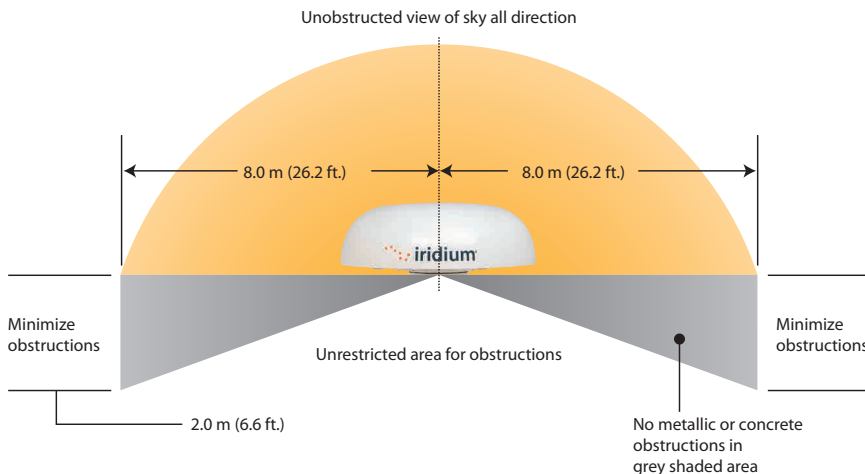
The Above Decks Equipment (ADE) transmits radio frequency (RF) that may cause thermal injuries including tissue damage from increased heating and body temperature. When the system power is ON keep all personnel a minimum of 1.0 m (3.3 ft.) from the antenna (see Radiation Hazard). Failure to do so could result in serious injury or death.

ADE Installation Considerations

As previously stated, Iridium is a constellation of LEO satellites covering every location on the surface of the Earth, at any moment in time. This means the satellite communicating with the Iridium Pilot unit can be located anywhere within the local hemisphere, making a horizon-to-horizon unobstructed view of the sky important for uninterrupted communications. The solid state antenna array takes care of tracking the satellite and vessel motions to maintain acceptable link margin. No moving parts are used in the ADE for antenna tracking.

Finding an unobstructed view of the sky on a commercial vessel may be difficult given the number of other communication systems collocated on the antenna bridge.

Figure 7.



Obstructions Around the ADE

The satellite signals received by the antenna are less than 45° above the local horizon 90% of the time. Therefore, obstructions that impact signal reception must be considered prior to installation.

To ensure the best possible connection with the Iridium satellite network the ADE needs clear exposure, in all directions, to the sky. Two types of obstructions that should be considered when deciding the placement of the ADE include: metallic and superstructure obstructions.

The loss of signal (dB) will increase the closer the obstruction is to the ADE. The table below shows the correlation between the size of the obstruction and the distance of the obstruction from the ADE and the amount of signal loss.

Obstruction Signal Loss Table – Signal interference around the ADE

Diameter of Obstruction	Obstruction Distance	Signal Loss
.2 m (.7 ft.)	< 2 m (6.5 ft.)	2 dB
	< 4 m (13.1 ft.)	1 dB
.4 m (1.3 ft.)	< 9 m (29.5 ft.)	2 dB
	< 31 m (101.8 ft.)	1 dB
.6 m (2 ft.)	< 22 m (72.2 ft.)	2 dB
	< 75 m (246 ft.)	1 dB
.8 m (2.6 ft.)	< 40 m (131.2 ft.)	2 dB
	< 135 m (442.9 ft.)	1 dB
1.0 m (3.3 ft.)	< 65 m (213.2 ft.)	2 dB
	< 217 m (711.9 ft.)	1 dB

The ship's RADAR and high power transmitters may cause signal interference.

To avoid possible damage to the ADE and degradation of ADE performance the unit must be mounted as far away as practical from these units. In addition it should also be kept clear of other sources of interference such as other Iridium or Inmarsat terminals.

The diagrams and tables below are only guidelines as the minimum distances will be dependent on the exact transmitter characteristics as well as reflections from masts, decks and other items in the vicinity of the ADE. The tables for X and S-band radar distances are minimum distances to avoid damage to the ADE and do not necessarily guarantee a good communication link.

Minimum Distance from S-band & X-band RADARs

S-band (- 10 cm / 3 GHz) radars		
Radar Power	Min distance at 15° vertical separation	Min distance at 60° vertical separation
0 – 10kW	0.4 m (1.3 ft.)	0.4 m (1.3 ft.)
30kW	1.0 m (3.3 ft.)	0.5 m (1.6 ft.)
50kW	2.0 m (6.6 ft.)	1.0 m (3.3 ft.)

X-band (~ 3 cm / 1-GHz) and C-band (4-8GHz) radars

Radar Power	Min distance at 15° vertical separation	Min distance at 60° vertical separation
0 – 10kW	0.8 m (2.6 ft.)	0.4 m (1.3 ft.)
30kW	2.4 m (7.9 ft.)	1.2 m (3.9 ft.)
50kW	4.0 m (13.1 ft.)	2.0 m (6.6 ft.)

Important

A vertical separation of at least 15° is required from any RADAR to ensure the ADE is out of the main transmit beam. If this is violated there is the potential the RADAR pulse will damage the sensitive RF receivers in the ADE or at a minimum disrupting communications each time the RADAR sweeps past the ADE.

Important! A vertical separation of 15° is always required from any radar.**Offset Distances from other Communications & Navigation Equipment ADE Location Priorities**

This next step will use the Iridium Pilot equipment to measure the RF environment at the potential ADE mounting locations prior to permanent installation. This is an important step that will eliminate the possibility of needing to move the equipment later. It is imperative all RADARs, communications and navigation systems are ON and operating during this test to ensure all potential interferers are detected.

1. Locate the RADARs. They are usually the highest mounted items on the antenna bridge. Look for locations that are at least 15° below the RADARs and honor the separation distances.
2. Locate Inmarsat radomes and honor the 10 meter separation distances. The Inmarsat and Iridium operating frequencies are close together and interference is likely if the equipment is too close to each other. Note there are frequently several satellite communication systems on each vessel. If one system is designated a “backup” then there may be some latitude to violate the offset distance.
3. Locate the GPS antenna. GPS and Iridium frequencies are close together and transmission from the ADE can affect ship’s navigation if the offset distances are not honored.
4. Note metal (RF reflective) surfaces just below the potential ADE location (Figure 7). Any metal in this area has the potential to reflect RF energy and cause multipath fading.
5. Look at possible locations and the remaining antennae in the immediate area and select the locations with the fewest potential interferers.
6. Finally look at the obstructions and determine if the site will provide a reasonably unobstructed view of the sky. Try not to allow any single obstruction to attenuate signal path more than 2 dB.

System	Minimum Separation
VHF	5.0 m (16.4 ft.)
HF (ssb)	5.0 m (16.4 ft.)
Inmarsat	10.0 m (32.8 ft.) minimum. Inmarsat may interfere with Iridium at distances up to 60.0 m (196.8 ft.) depending on the relative position of the satellites.
Other Iridium antennas (unity gain)	2.0 m (6.6 ft.)
Another Iridium Pilot Terminal	6.0 m (19.7 ft.)
GPS	10.0 m (32.8 ft.) if it is in the same horizontal plane as the ADE
Compass	1.0 m (3.3 ft.) estimate

6.2 Choosing a Location for the BDE

An ideal location for the BDE should be:

1. Within 50m of the antenna.
2. In a dry location.
3. Within close proximity to the digital and analog interface.
4. Close to AC/DC power.
5. Close to ground location.

Shock Hazard



The Below Decks Equipment (BDE) contains low voltage that may cause serious injury if opened. Do not, under any conditions, open or dismantle the BDE. Failure to follow these instructions could result in serious injury or death.

7. System Connections for Temporary Setup

1. Prior to connecting the ADE/BDE cable, the metal RJ-45 connector must be grounded before connecting to the ADE or BDE. Use the strap wire/electrical clips (alligator clips) to connect the metal RJ-45 to ground connection (not an existing electrical system ground). This is to prevent any static discharge that may have built up in the line prior to installation. Be careful not to damage the RJ-45 connector.
2. Connect the 9-pin circular connector on the interface cable to the ADE receptacle on the bottom of the ADE.

Note: you can use the ADE shipping container as a temporary platform to support the ADE and to provide clearance for the connector and cable by cutting a small hole on the cardboard box. Elevate the ADE to the approximate intended install height and use a temporary platform to hold the unit. The orientation of the ground lug is important as the testing software will use this direction as “aft”. For your install location, orient the ADE so that the ground lug points to your “aft” or “rear” of your facility or location.

3. Connect the supplied ground cable from the ADE to the ground connection (see. Figure 12). Torque bolt on ADE to 10-12ft-lbs.
4. Route the ADE/BDE cable to a location where Mains power is available. Tape the cable to reduce any trip hazard during the temporary operation of the system.
5. Remove the “installation cover” on the BDE. Remove the electrical clips from the RJ-45 connector and connect the interface cable and the green connector from the power module. You can leave the cover off at this time.
6. Remove the SIM cover and install the SIM noting the correct orientation as indicated on the unit. Close the SIM latch and make sure the power switch is in the off position. Leave the SIM cover off during the test.
7. Connect the mains cable to the power module and connect the other end to a Mains power outlet. The LED on the power module should light and the Power LED on the BDE should light.
8. Connect a cable from the BDE “Data” port to the RJ-45 connector on the lap top computer.
9. Connect the RJ-11 cable from “Voice 1” on the BDE to a phone handset (user supplied).

7.1 Initial Power-up and Site Survey Test

1. On the BDE move the power switch to the ON position. After the units boots and the GPS initializes (< 2 minutes) the status LEDs on the BDE should be as follows:
 - a. Power = Green
 - b. Status = Amber (Status can be Green with software version A012001)
 - c. Signal=Green
 - d. GPS=Green
2. Turn on the laptop computer and install the Iridium Pilot Accessory CD.
3. The PC should display the CD directory. Select the Site Survey Tool (SST) and double click to start the tool. (note the tool assumes the default IP address if the address has been changed select the settings menu from the Task bar and input the alternate IP address).
4. At this time make sure the ship's navigation and communication systems are on and active.
5. Click on the "Start" button on the SST application to begin the test. The tool scans ~ 2.6 channels per second requiring 97 seconds to complete a single scan. Several scans are useful in assessing the local noise environment and to detect down link information from the Iridium constellation. Note the screen will be updating to provide feedback the program is executing normally.
6. This test validates that you have placed the Iridium equipment in a good location. See Appendix G for more information on the SST.

8. Installing the System

Now that a suitable location for the ADE has been verified the equipment can be permanently installed for operation. The permanent installation is comprised of 5 steps.

1. Route the ADE/BDE interface cable.
2. Connect and mount the ADE and note that the ground lug orientation will be used in software as "Aft" or rear orientation.
3. Connect the ground cable from the ADE to a ground connection
4. Mount the BDE.
5. Connect the ground to the BDE, then the ADE/BDE interface cable and then the power connector
6. Connect the telephones and computer network to the BDE.
7. Test and verify the installation.

Routing the ADE/BDE Interface Cable

The interface cable has a waterproof circular connector that connects to the ADE and a shielded RJ-45 connector that connects to the BDE. Since the BDE side is much smaller it makes sense to pull the cable from the ADE towards the BDE. Once the ADE site is known, a BDE location must be selected that is within the distance of the ADE/BDE cable, accounting for the path thru the cable chase. Drill the necessary hole to route the cable to the interior of the vessel. The cable should be pulled with the RJ-45 connector installed since it has been tested in previous steps. Use care and install a pull string that attaches to the cable jacket and does not place stress on the connector. Use electrical tape to protect the RJ-45 during the pull operation. Leave just enough service loop at the ADE and store any excess cable in the cable chase or near the BDE.

Note: The ADE/BDE cable must be grounded prior to installing on the ADE or the BDE. Connect a wire strap/ electrical clip from the metal RJ-45 housing to a ground connection (not an existing electrical system ground). Connect the cable to the ADE first. After the ground cable has been installed on the ADE you may then remove the electrical clips.

ADE Mounting Considerations

WARNING



ADE must be properly mounted and secured to vessel. Failure to do so could result in detachment of the unit, causing disruption in operation of the unit, or danger from a falling unit, which could result in serious injury or death.

A suitable mounting bracket or mast may need to be procured or fabricated to support the ADE. Factors to consider in selecting a mounting method include:

- The weight of the unit (13kg ,28 lbs) - weight includes provided mounting bracket
- The physical size of the unit (406mm high by 585mm in diameter) - height includes provided mounting bracket
- Mechanical resonance of the system excited by:
 - Mechanical vibrations from the vessel
 - Wind induced vibration

These factors will be discussed in the following paragraphs. The mounting bracket and pole must be capable of supporting the weight of the unit. Consideration should also be given to accessibility for installation and service work, and the task of lifting and supporting the size and weight of the equipment safely whilst all the connections are being made. The mounting bracket and pole must be capable of supporting the lateral loads caused by the wind. For example at 60 mph the lateral force on the ADE alone (ie. excluding the pole) will be approximately 3.5-4.5 kgf. This load will generate shearing and bending forces in the mounting bracket and pole which must be distributed safely into the vessel's structure. Since this loading will vary continuously with time, the structure must not only withstand the static loading but also the fatigue loading over the lifetime of installation.

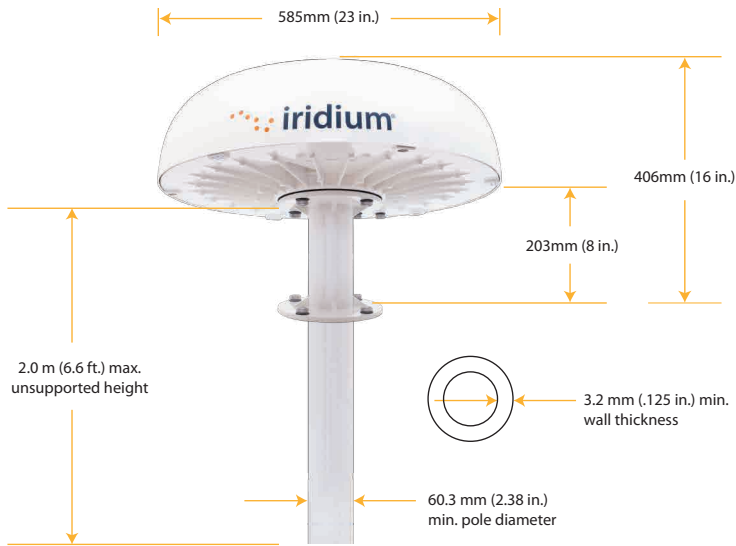
When selecting a suitable mounting pole it is important to consider resonance as well as strength. The ADE will be subject to vibrations caused by oscillating aerodynamic forces due to vortex shedding from the ADE itself (in the range 0 – 10 Hz for wind speeds up to 60 mph, or storm force 10), and any upstream objects even if they are outside the zone shown in figure 7.

The ADE will also be subject to vibrations transmitted through the vessel's structure (from engines, propellers, motorized equipment, cable stays or guy ropes). Careful consideration must therefore be given to minimize the potential for vibration causing damage to the ADE, by careful choice of the mounting position, pole diameter, pole length, and any necessary supporting structure. If necessary modify the design of the mounting pole to move its natural frequency (with ADE fitted) away from the frequency of the source of vibration. For example, increasing the stiffness of the mounting pole will increase its natural frequency – this might be achieved by using a shorter or thicker pole, but note that adding mass will have the contrary effect of reducing the natural frequency. If the pole cannot be shortened, then consider adding rigid support struts or tensioned guy ropes to reduce the effective length. The following guidelines are recommended:

- Minimum pole diameter: $D = 60.3 \text{ mm}$ (2.38 in.)
- Minimum wall thickness: $t = 3.2 \text{ mm}$ (.125 in.)
- Maximum unsupported pole length, $L = 2.0 \text{ m}$ (6.6 ft)

For 100 mph winds (hurricane force 12) the unsupported length should be reduced to 1.0 m (3.3 ft.). Longer poles are possible if additional support is provided such as guy ropes. More sophisticated mounting designs may be necessary to deal with vibrations in some installations. The design of vibration reducing or absorbent mountings is critically dependent on many installation specific factors that are well outside the scope of this manual. Hence for any such an installation, consult specialist suppliers of marine antenna mountings, to obtain professional advice.

Figure 8.



The ADE is supplied with an aluminum adaptor bracket used to couple the ADE to the mast and provides an access hole to allow the circular connector to pass thru the bracket and connect to the ADE. A detail of the adaptor is included herein to allow the mast to be fabricated with a matching bolt pattern. See Appendix E for more information.

Galvanic Corrosion Protection

Note that the ADE base-plate and the mounting adaptor bracket are constructed out of aluminum. In most installations the unit will be mounted on top of a steel stanchion. This transition area of dissimilar metals provides for the potential of galvanic corrosion. For corrosion to occur there must be an electrical path and an electrolyte (seawater). The dissimilar metals and the seawater create a very low voltage battery with the steel acting as the cathode and the aluminum acting as the anode. The battery action causes an ionic transfer of material from the anode to the cathode. This will cause the aluminum to corrode and dissolve at an accelerated rate. There are two actions the installer can use to prevent this corrosion. **See Appendix E for an assembly drawing detailing the installation of the ADE with recommended galvanic isolation.**

1. Create an electrical isolation barrier between the ADE base plates and mounting bracket or mast. Take caution not to damage this barrier during installation. A coating of sealant such as 3-M brand 5200 marine adhesive between the flanges should be used. Stainless steel isolation washers should be used to keep bolt head and lock washer from damaging the painted surface.

WARNING



Damage to the paint coating may allow rust to the ADE which could result in failure of the ADE. This in turn could cause disruption in operation of the Iridium Pilot device. Avoid damaging the paint coating. If damage occurs, re-apply appropriate anti-corrosion primer and paint. Failure to do so could result in serious injury or death.

2. Provide a water barrier to prevent the seawater (electrolyte) from reaching the area between the dissimilar metals. Again 3-M brand 5200 adhesive, or equivalent, can be used for this purpose to cover all the fasteners and areas between the flanges.

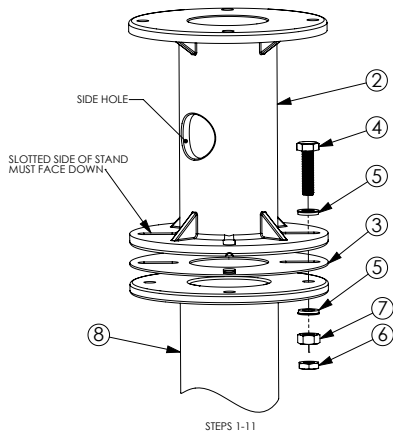
These two steps should significantly reduce the possibility of galvanic corrosion and structural failure of the adaptor mounting bracket.

ADE Mounting

There is more than one approach that can be taken to install the ADE. The installation of the ADE is dependent on the vessel structure. Follow these generic steps to install the ADE:

1. Fasten mounting bracket to mounting pole per “Recommended Stand Mounting” instructions below and in Appendix E.

Figure 9.



INSTALLATION INSTRUCTIONS:

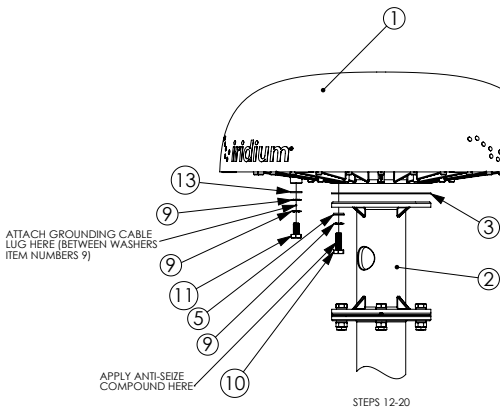
RECOMMENDED STAND MOUNTING

- NOTE: LOCATION/MOUNT MAY DIFFER FROM THE EXAMPLE SHOWN. NEOPRENE BONDED STAINLESS STEEL WASHERS ARE INCLUDED TO PROTECT THE ANTI-CORROSION COATING ON THE STAND AND TO PREVENT GALVANIC CORROSION OF THE ASSEMBLY. 316 STAINLESS STEEL INSTALLATION HARDWARE IS REQUIRED FOR INSTALLATION. TAKE CARE WHEN TRANSPORTING THE RADOME (1) AND MOUNTING BRACKET (2) SO AS NOT TO DAMAGE THE CORROSION RESISTANT COATINGS.
1. PLACE THE PROVIDED ISOLATION GASKET (3) ONTO THE FABRICATED MOUNT (8)
 2. PLACE THE MOUNTING BRACKET (2), WITH THE SLOTTED SIDE FACING DOWN, ONTO THE GASKET (3)
 3. SLIDE A NEOPRENE BONDED ISOLATION WASHER (5) ONTO AN M10 HEX HEAD BOLT (4), WITH ITS METAL SIDE FACING THE BOLT HEX HEAD.
 4. SLIDE THIS BOLT ASSEMBLY THROUGH THE SLOT IN THE MOUNTING BRACKET(2) THEN THROUGH THE HOLE IN THE INSTALL LOCATION MOUNTING PLATE (8).
 5. SLIDE ON ANOTHER ISOLATION WASHER ON THE BOLT WITH THE RUBBER SIDE FACING THE MOUNTING PLATE AND THAT THE METAL SIDE WILL CONTACT THE NUT.
 6. THREAD ON A HEX NUT (7) FINGER TIGHT.
 7. REPEAT STEPS 4-7 FOR THE REMAINING THREE BOLTS.
 8. TIGHTEN THE HEX NUTS (7) USING AN INTERMEDIATE TORQUE OF 5-6 FT-LBS AND THEN A FINAL TORQUE OF 10-12 FT-LBS, BOTH IN AN 'X' PATTERN (NUT 1 AND 3, THEN 2 AND 4).
 9. THREAD ON A JAM NUT (6) TO ALL BOLTS.
 10. FOR ALL FOUR BOLTS: IN ORDER TO PREVENT THE JAM NUT AND BOLT FROM TURNING, IMMOBILIZE / RESTRAIN THE HEX NUT (7) USING AN APPROPRIATE WRENCH AND THEN TIGHTEN THE JAM NUT (6) ON THE TOP OF IT, UNTIL THEY LOCK. TIGHTEN THE JAM NUT (6) USING 8-10 FT-LBS.

2. Fasten ADE radome to mounting bracket per “Radome Mounting” steps below and in Appendix E.

Note: The ADE/BDE cable must be grounded by electrical clips on the RJ-45 metal housing prior to connecting the cable to the ADE. The clips can be removed once the ground cable has been installed from the ADE to the ground connection (non-electrical system ground).

Figure 10.



RADOME MOUNTING

- NOTE: GROUNDING LUG ON RADOME BASE MUST BE FACING AFT OR “REAR” OF INSTALL LOCATION. ORIENTATION OF THIS GROUNDING LUG IS USED IN DIAGNOSTIC SOFTWARE AS THE “AFT” ORIENTATION.
12. MAKING SURE NOT TO DAMAGE THE METAL RJ-45 SHIELD ON THE POWER / DATA CABLE (NOT SHOWN), GROUND THE CABLE TO A GROUND CONNECTION USING STRAP WIRE / CLIPS (NOT SHOWN).
 13. PLACE AN ISOLATION GASKET (3) ON TOP OF THE MOUNTING BRACKET (2)
 14. ROUTE THE POWER/DATA CABLE (NOT PICTURED) THROUGH THE BOTTOM OR SIDE HOLE ON THE MOUNTING BRACKET, AND CONNECT TO THE RADOME. PLUG THE CABLE INTO AND LOCK THE CONNECTOR ON THE BOTTOM OF THE RADOME BY TIGHTENING THE PLASTIC FERRULE, TAKING CARE NOT TO OVERTIGHTEN.
 15. PLACE THE RADOME ONTO THE MOUNTING BRACKET, WITH THE GROUNDING LUG ORIENTED TO “REAR” OF LOCATION AND ARROW ON THE RADOME BASE WILL POINT TOWARDS FRONT OF LOCATION.
 16. SLIDE A LOCK WASHER (9) THEN AN ISOLATION WASHER (5) ONTO AN M10x30mm HEX HEAD BOLT (10). THE METAL SIDE OF THE ISOLATION WASHER SHOULD FACE THE LOCK WASHER. APPLY ANTI-SEIZE COMPOUND ON BOLT.
 17. SLIDE THE PREPARED BOLT UP THROUGH THE MOUNTING BRACKET, AND FINGER TIGHTEN INTO THE RADOME BASE.
 18. REPEAT STEPS 16 AND 17 FOR THE REMAINING THREE BOLTS.
 19. TIGHTEN THE FOUR BOLTS USING AN INTERMEDIATE TORQUE OF 5-6 FT-LBS AND THEN A FINAL TORQUE OF 10-12 FT-LBS, BOTH IN AN 'X' PATTERN (BOLT 1 AND 3, THEN 2 AND 4).
 20. ATTACH GROUND CABLE LUG (NOT SHOWN) BETWEEN TWO LOCK WASHERS (9) ON THE 20mm M10 BOLT (11). PLACE FLAT WASHER (13) BETWEEN THE RADOME BASE AND LOCK WASHER AND TIGHTEN INTO GROUND POST ON THE RADOME. TORQUE BOLT TO 10-12 FT-LBS. ATTACH THE TERMINATING END OF THE GROUND CABLE TO GROUND CONNECTION (NOT AN EXISTING ELECTRICAL SYSTEM GROUND) AT THE LOCATION USING A SUITABLE, NONCORROSIVE CLAMP OR TERMINAL. USE THE GROUND CABLE ADAPTER KIT TO ALTER THE CABLE IF NEEDED.

Note: The mounting configuration may vary depending on the factors discussed (e.g.: location, pole selection).

When mounting the bracket ensure:

- The M10 bolts have 15 – 20 mm thread engagement into the ADE.
- ADE / BDE cable can be connected to the connector in the center of the ADE.
- The ground cable is long enough to connect to the ground connection.

Figure 11.

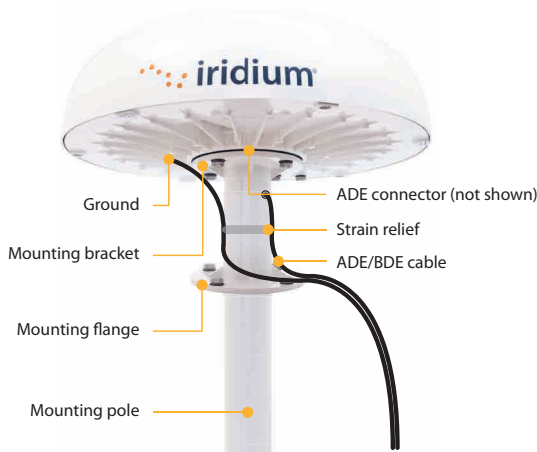
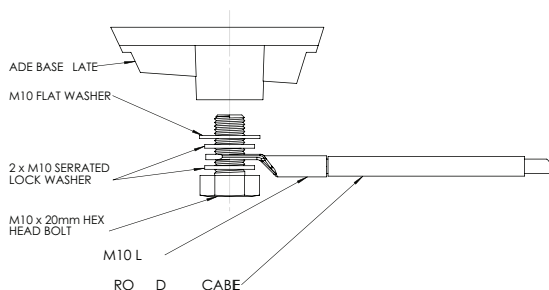


Figure 12.



3. Ensure the ground cable is installed to the ground source at the installation location.

NOTICE: Install ground cables for both the ADE and BDE before using Pilot. Instructions on how to install the ground cables are provided below. Failure to properly ground the ADE and the BDE could result in property damage in the case of a lightning strike or other excessive static build-up.

Install the ground cable using the components in the ground cable adapter kit. Silicone grease or joint compound should be applied between all contact surfaces, and an impervious coating should then be applied over the whole joint to exclude moisture from all metal surfaces, e.g. using self-amalgamating tape or a shrink-fit rubber boot (user supplied). Install the M10 Serrated Lock Washer onto the ground bolt with serrations toward the bolt head, followed by the ground cable terminal end, and then completed with the M10 Flat Washer (See Figure 12). Torque the bolt to 10-12 ft/lbs

4. Install cable ties for strain relief for the ADE/BDE cable and ground cable (earth strap).

8.1 BDE Mounting Considerations

The Below Decks Equipment (BDE) should be located within 50m of the ADE and mounted with the cable connectors pointing downwards on a flat vertical surface (wall) which is sheltered from the elements (e.g: water). The wall must be able to support the weight (1.35 kg, 3 lbs) and have adequate space for the unit that is 250 mm (9.8 in.) x 190 mm (7.5 in.) x 55 mm (2.16 in.). Space must be provided for the following cables:

- Power cable
- ADE /BDE cable
- Data cable
- Handset (3 max.)
- Ground cable for the BDE

The cables connected internally to the BDE (e.g.: power, ground and cable from the ADE) should be attached to the BDE housing with strain reliefs. It is also advisable to protect the cable connection with external strain relief. The cables that connect to the data and handset ports must have external strain relief.

Connecting External Cables to the BDE

Figure 13.



BDE Power Supply Options

Power to the BDE must be 11 to 32 volts DC. The Iridium supplied power supply unit (PSU) can be used to convert AC mains power to 24 VDC to run the Iridium Pilot platform. The PSU is able to connect 110 to 240VAC at 50 or 60Hz and is capable of supplying 50W continuous and 80W for .25 seconds at switch-on.

If appropriate, use the provided cable when connecting the AC PSU to the AC power source. Otherwise, the installer should provide a standard IEC cable with the appropriate country plug. The 2-way connector should be connected to the “power in + and -” terminals within the installation section of the BDE.

When using DC power the installer will need to provide a suitable 2 wire + earth cable capable of providing 12/24VDC nominal (11V min, 32V max) and 50W continuous / 80W for .25 seconds at switch-on at the BDE. The positive and negative wires must be terminated using the connector from the AC PSU (provided). The 2-way connector should be connected to the “power in + and -” terminals within the installation section of the BDE. The earth should be connected to the earth tag inside the installation area (See Figure 14).

Shock Hazard

WARNING



The Below Deck Equipment (BDE) contains low voltage that may cause serious injury if opened. Do not, under any conditions, open or dismantle the BDE. Failure to follow these instructions could result in serious injury or death.

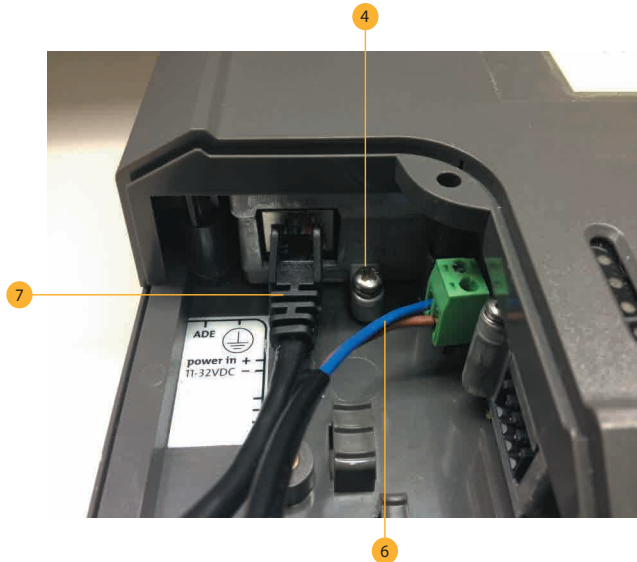
Mounting the BDE

After a suitable location has been chosen, mount the BDE:

1. Layout the locations for the mounting screws, 3 total (see template at the end of the manual). The BDE is mounted with the connector edge facing down. Use the included template as a guide for drilling the mounting holes.
2. Drill and tap holes for M4 flange style mounting screws
 - a. Note: Alternative screws or screw / washer combination may be used.
Flange must fit into a 4.5 mm (.18 in.) hole.
3. Hold and screw the BDE against the wall.

Connecting Internal Connections to the BDE

Figure 14.



1. Remove the SIM cover (retain)
2. Make sure the ON/OFF switch is in the OFF position
3. Remove installation cover from bottom left hand corner of BDE (retain cover & screw)
4. Remove ground bolt, connect ground cable and replace the bolt to secure the ground connection (15 in-lbs recommended torque). See Figure 14, reference 4.
5. Connect the other end of the ground wire to a local ground connection (not an electrical system ground) using appropriate clamp or connection.

6. Fit power feed from the DC buss or from the supplied PSU to power connector on BDE, use strain relief provided within BDE. See Figure 14, reference 6.
7. Connect RJ-45 connector from ADE/BDE cable to the BDE (See Figure 14, reference 7) and use strain relief provided within BDE
8. After checking that all the connections are securely made and have strain relief, replace and fasten the installation cover.

Figure 15.

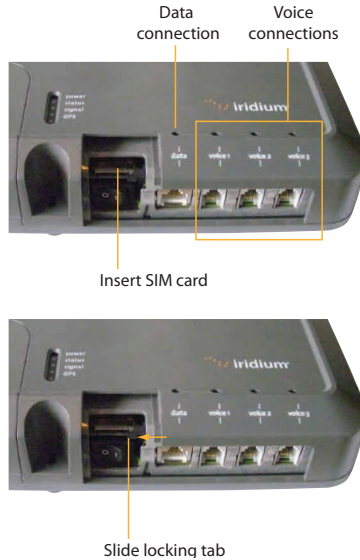
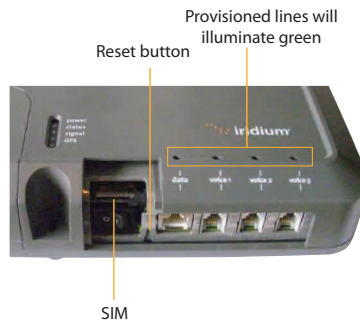


Figure 16.



The data and handset connections are on the connector edge of the unit. There is one data connection and three handset connections. The data connection is marked as “data” and the handset connections are identified as “Voice 1”, “Voice 2” and “Voice 3”.

The handsets connected to the BDE must be POTS / RJ11 handsets. The data port on the BDE is a MDI-X port. If the Below Decks Equipment (BDE) is to be connected to a down-stream port of an Ethernet hub or switch then the user will need to use a cross-over cable. Again, the data port must be provisioned to connect to the Internet. The data LED will illuminate green.

Note: The maximum length of the ADE/BDE cable plus the Computer-to-Data port cable shall not exceed 100 meters total length to comply with Ethernet maximum length standards.

To connect external equipment to the BDE:

Note: In order for the data and handset ports to be active the SIM must be provisioned and placed in the BDE.

1. Connect external equipment to the appropriate port. (e.g.: computers are connected to the data port, handsets are connected to a port marked "Voice 1, 2 or 3").
2. Provide external strain relief for cables connected to the BDE.
3. Insert the SIM card and slide the locking tab in place.
4. Switch ON/OFF switch to ON position. The POWER LED should light green, the STATUS LED should flash red for a few seconds, then illuminate amber (green with firmware VA012001 and higher). See Figure 16.
5. Replace the SIM cover.

SIM Validation

In order to access the Iridium network the BDE must have a valid SIM installed. Upon activation by the Service Provider, the customer's SIM will be provisioned with the service level (available bandwidth) and the number of voice lines available. For example: There are three phone lines available but you choose to only provision one of them. Upon system activation only one phone line will be available.

Contact the service provider to add or remove voice phone lines. Once the service provider has added or removed voice lines, the BDE will automatically update the SIM at the next network connection.

Note: If the SIM card is removed or unlocked any voice or data calls will be terminated immediately. The SIM must be reinserted and locked into position using the locking mechanism on the SIM card holder, and then the unit must be switched off and back on again to be reactivated.

9. Install Performance Testing

This section will repeat the initial site survey tests done in Section 7.1 in order to validate the final installation of the equipment and use of the satellite links.

1. Run the SST program again and compare the resulting graphs to the earlier "temporary installation" results. Retain both sets of results on the Ship's computer for future trouble shooting efforts. If the results are greatly different then contact your service provider or Iridium customer support for additional help.
2. Place a voice call to the same number used in the earlier voice test. Record the subjective results and verify the voice quality is substantially the same as the previous result.
3. Run a speed test from an available web speed test site. Many are available. Verify the uplink and down-link speeds are within +/- 20% of the provisioned data speed.

Testing the Voice Service

Connect a handset to the "Voice 1" port on the BDE and place a call.

1. Ensure the SST software has been stopped.
2. Lift the receiver and listen for a dial tone.
3. Dial the country code, area code and phone number of a phone that can be used for voice quality testing. Don't forget to press the # key to initiate the call.
4. When the call is answered verify there is intelligible voice in both directions.

5. If any issues are detected hang-up and attempt the call again. If the problem persists attempt a call to an alternate test number preferably in a different exchange (different provider) from the initial attempt.
6. If after all of these attempts there is still an issue consider the following
 - a. Clear voice from the Iridium Pilot unit to the landline and garbled voice in the other direction is typical of local ship interference disturbing the down-link signal.
 - b. If the clear voice is from the land-line side and the Iridium Pilot side is garbled then there is likely another issue and you should consult the trouble shooting section.
 - c. If the call is not clear in either direction then there could be an interference issue. An alternate location should be considered.
 - d. If the call fails to connect go to the trouble shooting section of this guide.

Note: Voice quality of the Iridium Pilot network is characterized as narrow band telephony. Significant voice compression is used in transporting voice and it can therefore sound slightly degraded from a typical mobile telephone call.

Testing the Data Service

With the PC connected to the "Data" port on the BDE open a browser on the Windows computer and search for a speedtest website in order to test the data speeds of the Pilot systems. There are many to choose from that can test the data link rate.

Note the speed should typically be within 20% of the provisioned rate. While checking a 128kbps link note that local activity may have the effect of slowing the link. This is not an issue at the sea since the use density is significantly reduced over that of a major port. Seldom are the lower provisioned rates affected by traffic. If a rate is out of specification wait 5 minutes and try again.

Now that the site survey, voice call, and data call have provided nominal performance you can initiate routine use of the terminal.

Section III – NETWORK CONFIGURATION

The second half of this manual requires network administrative skills to complete the integration with the IT subsystem. It should only be performed if the installer has the appropriate knowledge and background.

If the Below Deck Equipment (BDE) is to be connected to a down-stream port of an Ethernet hub or switch then the user will need to use a crossover Ethernet cable. Data Service must be provisioned before you can connect to the Internet. The data LED will be illuminated green if your Iridium Pilot unit is provisioned for data.

For a Single PC

- Connect directly to the data port of the BDE
- Use a standard Ethernet cable
- Configure PC for static configuration (for more details see User Manual)

For Multiple PCs

- Connect the switch/hub/router to the data port on the BDE using a crossover Ethernet cable.
- Connect the PCs to the Ethernet switch, hub or router (Note: these multiple devices will be sharing the same satellite connection over the Iridium network, the more devices connected the smaller the share of the connection.)
- Depending on how your ship-side LAN is configured you may or may not want the IBSU to act as a DHCP server and to perform DNS forwarding, see the Iridium Pilot User Manual for instructions on how to change settings.

10. Initial System Configuration

There are two levels of diagnostic information available, basic and administrator. Configuring the system and full diagnostics can only be done by the System Administrator and requires a login password.

Accessing the IBSU Web Pages

1. Connect a PC to the data port on the BDE
2. Open the web browser and in the web browser address window, type: `http://192.168.0.1`.

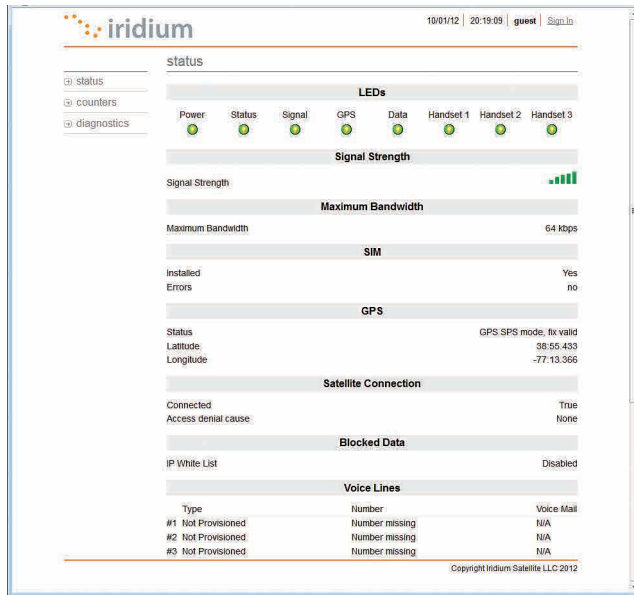
Note: The default IP address is assigned to the IBSU at the factory. The IP address can be changed if there are multiple IBSU's at a single site (if this has been done then type in the new IP address). To reset the IP address back to the default (192.168.0.1), press the network reset button on the BDE.

1. Select "Login" for administrator level diagnostics. Type in the user name and password specified by Iridium (default user name and password is "admin"). Call your Service Provider if login fails.
2. Select the appropriate link:

Select to link to:

- Status
- Counters
- Diagnostic
- Configuration
- Admin Password

Figure 17.



Status Page

The status page provides the condition of the Iridium Pilot hardware and software:

- The status of the LEDs located on the BDE is provided
- Signal strength of the current satellite down-link is displayed
- Status of the SIM card indicates if it is installed and operational
- GPS status and location are displayed
- Satellite connection status shows current connection along with historical statistics
- Voice line data displays line type, phone number and voice mail service

11. Configuration of LAN Settings

The Iridium Pilot IBSU allows you to configure the following LAN settings, via the web pages when logged on as 'admin'. These settings include:

- IP Address
- Subnet Mask
- DHCP Server and IP Address Range to Use
- DNS Forwarding

IP Address

This is the IP address of the IBSU as seen from the vessel. The factory default is **192.168.0.1**. You should not change this default unless there is already LAN equipment on the vessel, in which case you must set this to an unused IP address of the ship-side LAN.

Subnet Mask

This defines the subnet used on the vessel. The factory default is 255.255.255.0. You should only change this default if you change the IP address of the IBSU. All network devices must use the same subnet in order to communicate with one another.

Dynamic Host Configuration Protocol (DHCP) Server

This automatically provides unique IP addresses and appropriate configuration parameters to each network device connected to the IBSU. In the current configuration, DHCP is disabled.

Note: While DHCP is disabled, devices connected to the IBSU will need to have their network settings manually configured. There must only be one DHCP server on any network segment.

DHCP IP Address Minimum and Maximum

This sets the range of IP addresses for the DHCP server to use. The factory default is 192.168.0.2 to 192.168.0.254. The range specifies the maximum number of devices on the network. Both the maximum and minimum value must be in the same subnet.

Domain Name System (DNS) Forwarding

DNS is used to convert network names (such as www.iridium.com) into the IP addresses needed to connect to the device. The factory default is disabled. The IBSU acts as a switching station so that it automatically forwards DNS requests to the appropriate DNS server.

Once you change the LAN configuration and press the 'Update IP Configuration' button the IBSU will reboot to apply the configuration changes – this will drop any calls. Once the IBSU has rebooted any connected network devices may take up to 10 minutes to automatically obtain new settings. During this switch over time the network devices may not be able to communicate with the IBSU or/and duplicate IP address settings can occur.

If you change the LAN settings it is advisable to reboot any attached devices to avoid this issue.

Note: The LAN Settings can be reset to the factory defaults using the reset switch on the BDE.

Static Public IP

In order to establish a static public IP address, you must contact your SP. Iridium has established a range of IP addresses for use on Pilot. There is a monthly fee for the setup of a static public IP address. Contact your SP for more details on static public IP address for Pilot.

A static IP address (or fixed IP address) is an IP address that has been manually configured for a device, allowing remote access to the hardware without requirement of a VPN approach. The static IP address is defined at time of SIM card provisioning, and will not change whereas a DHCP assigned IP address can and does change.

A static IP address best supports domain name resolution so that a computer can be most reliably reached over a network by its host/domain name.

Note: Setting up a static public IP address does expose your device more readily to internet spiders that look for open and available IP addresses. Adequate security is required for static IP use. Iridium is able to support whitelist IP ranges for controlling access to an established static public IP. Speak with your SP on this arrangement.

Section IV – TROUBLESHOOTING

12. Fault Overview

Problems with Iridium Pilot can be grouped together in several classifications:

1. Fundamental problems where the unit will not function locally over the Ethernet port (no diagnostic page access) or the telephone lines are non-functional.
 - a. Check the LED status and follow the fault tree
 - i. Possible power supply issue
 - ii. Possible ADE/BDE interface cable issue.
2. RF/Network Problem. Local communications over the Ethernet port works but connections to the internet and the PSTN are non-functional.
 - a. Check LED status and status and diagnostic pages and follow the fault tree
 - i. Possible SIM card issue
 - ii. Possible GPS issue
 - iii. Possible unit “black listed” at the gateway
 - iv. Possible equipment issue
3. Performance Problem. Both local and Satellite communications work but voice and/or data issues persist.
 - a. Possible interference or blockage issue
 - b. Possible equipment issue.

13. LED State Table

- The Data and Voice LEDs will be off until the unit has initial contact with the Iridium network to register and verify service.
- The “Status” LED states were changed in firmware version AO100002 and newer. The LED state table, above, reflects this new functionality. Older versions of code should be updated to the current version to take advantage of performance improvements and enhancements.

14. Troubleshooting

There are 8 LED indicators located on the BDE that can be used to initially diagnose issues with the system. Initially these indicators may be the only feedback to service personnel if the unit has a fundamental issue. During trouble shooting service personnel need to determine if the unit has previously worked and recently failed or if this is a new installation that has never worked. While troubleshooting consider changes in performance and how they may relate to other equipment that has been added to the vessel.

There are two main sources of information for troubleshooting:

1. The IBSU Web Pages (as detailed in Section 7)
2. The LEDs on the BDE

LED	Off	Green	Green Flashing	Amber	Red	Red Flashing
power	No power supplied to BDE	Power supplied to BDE and BDE switched on. Power is being passed to ADE.	Not Used	Power supplied to BDE, BDE switched off	Not Used	Not Used
status	Not Used	Idle: connected to the Iridium network but no traffic	Active: Voice or data is being transferred to/ from the Iridium network	Not Used	System Unavailable	BDE cannot communicate with ADE – check connections
signal	Not Used	Strong network signal detected	Not Used	Weak network signal detected	No network signal detected	Not Used
GPS	Not Used	GPS signal available to ADE	Not Used	Not Used	No GPS signal	Not Used
data	Data port not provisioned.	Data port provisioned for use	Flashing when data call in progress	Access to network denied – see Web Page for details	SIM problem	Not Used
voice 1	Voice port 1 not provisioned.* Or handset off hook.	Voice port 1 provisioned for use	Incoming call (ringing) or call in progress	Access to network denied – see Web Page for details	SIM problem	Not Used
voice 2	Voice port 3 not provisioned.* *Or handset off hook.	Voice port 2 provisioned for use	Incoming call (ringing) or call in progress	Access to network denied – see Web Page for details	SIM problem	Not Used
voice 3	Voice port 3 not provisioned.* *Or handset off hook.	Voice port 3 provisioned for use	Incoming call (ringing) or call in progress	Access to network denied – see Web Page for details	SIM problem	Not Used

*The BDE does not know what services are provisioned until it has connected to the network so this LED will be off at initial power up.

Suggested actions for the following fault conditions:

LED	Color	Reason	Suggested Action
power	Off	No power supplied to BDE	Get a qualified person to check the power being supplied to the BDE, it should be between 11 – 32VDC at the input to the BDE and capable of providing up to 50W.
power	Amber	Power supplied to BDE, BDE switched off	Remove the SIM cover and ensure that the on/off switch is in the on positions. With this switch in the on position the LED should be green. If the switch is on and this LED remains amber then call your service provider for assistance.
status	Red Flashing	BDE cannot communicate with ADE – check connections	Get a qualified person to check the connection between the BDE and ADE, this should include the connections at the BDE and ADE and the entire cable between them.
signal	Red	No network signal detected	It is valid for this LED to go red for short periods of time but it should not remain red. If it remains red it implies that there is a problem with the equipment. Please call your service provider and report all the information you can see on the web pages as well as the LED colors.
GPS	Red	No GPS signal	You may be in an area where a GPS signal cannot be received, if the vessel moves and the problem persists then contact your service provider and report that internal GPS has failed.
data	Amber	Access to network denied – see Web Page for details	Access to the Iridium network has been denied, there are a number of reasons for this below for details (see Access Denied table, page 32).
data	Red	SIM problem	Check SIM inserted correctly and SIM lock on SIM holder pushed across. Check you have a valid Iridium Pilot SIM.
voice	Amber	Access to network denied – see Web Page for details	Access to the Iridium network has been denied, there are a number of reasons for this below for details (see Access Denied table, page 32).
voice	Red	SIM problem	Check SIM inserted correctly and SIM lock on SIM holder pushed across. Check you have a valid Iridium Pilot SIM.

15. Access Denial

Denial of access will be indicated by amber Voice and Data LEDs on the BDE. Check the IBSU status webpage under the “Satellite Connection” heading for the Access Denial code. This may be helpful in diagnosing the problem with your service provider or Iridium customer support.

Reason	Details	Suggested Action
SIM non-functional	TMSI/IMSI Invalid	Contact service provider and install a new SIM
Network rejection	Authentication Failure	<ul style="list-style-type: none"> • Replace SIM with known good device • Potential Transmitter failure
Network rejection	IMEI Blacklisted	Contact service provider to rectify the status at the Iridium network
ADE RF transmission prohibited	Indeterminate Location	<ul style="list-style-type: none"> • Check GPS LED for Green indication • Check GPS status on the webpage for “OK” • If OK call service provider
ADE RF transmission prohibited	ADE does not have a valid GPS location fix	<ul style="list-style-type: none"> • Wait for the vessel to move to a different geographic location • Contact Iridium customer support for assistance

16. Performance Problems

Voice and data problems can be attributed to several causes.

1. User expectation can be the first order of problem resolution. Is the IBSU provisioned for all the service levels the customer expects? Is the voice performance consistent with satellite communications? This may not be as good as the end user expects. Is the data rate slow due to abnormal application interaction with the IBSU? Is the user expecting the “ramp-up” time?
2. The voice and data may be actually impeded due to:
 - a. Interference on the vessel
 - b. Blockage of the ADE view of the sky
 - c. Interference caused by an adjacent vessel while in port.
3. Voice quality is poor
 - a. Potential issue with terrestrial network the Iridium Pilot unit is attempting to connect to. Attempt to place a call to an alternate exchange and assess call quality.

Section V – APPENDICES

Appendix A – Regulatory Approvals

FCC Declaration for 9701

This equipment has been tested and found to comply with the limits for a Class B digital device, pursuant to Part 15 of the FCC Rules. These limits are designed to provide reasonable protection against harmful interference in a residential installation.

This equipment generates uses and can radiate radio frequency energy and, if not installed and used in accordance with the instructions, may cause harmful interference to radio communications. However, there is no guarantee that interference will not occur in a particular installation.

If this equipment does cause harmful interference to radio or television reception, which can be determined by turning the equipment Off and On, the user is encouraged to try to correct the interference by one or more of the following measures:

- Reorient or relocate the receiving antenna.
- Increase the separation between the equipment and receiver.
- Connect the equipment into an outlet on a circuit different from that to which the receiver is connected.
- Consult the dealer or an experienced radio/TV technician for help.

Modifications to this device not expressly approved by Iridium Satellite LLC may void authority granted under the rules of the Federal Communications Commission to operate this device.

Industry Canada

This product is compliant with Industry Canada RSS-102 for RF Exposure.

The 9701 BDE is a Class B digital apparatus and complies with Canadian ICES-003.

Cet appareil numérique de la classe B est conforme à la norme NMB-003 du Canada.

Declaration of Conformity

On behalf of Iridium Communication Incorporated, I declare under penalty of perjury that the following device complies with the requirements of the United States Federal Communication Commission pertaining to a personal computing peripheral device:

Identification: Iridium Broadband Terminal, Below Decks Equipment, Model 9701

Compliance Statement: This device complies with Part 15 of the FCC Rules. Operation is subject to the following two conditions: (1) this device may not cause harmful interference, and (2) this device must accept any interference received, including interference that may cause undesired operation.

Responsible Party: Iridium Communication Inc.
1750 Tysons Boulevard, Suite 1400
McLean, VA 22102
USA

Telephone 1.703.287.7400

Date: 10/02/2013
Oct. 2, 2013


Hermon Pon
Vice President, Technology
Iridium Communications Inc.

Declaration of Conformity – EC Directive

This is to certify that the following equipment complies with all relevant Essential Health and Safety Requirements of the Radio and Telecommunications Terminal Equipment Directive 1999/5/EC and the Low Voltage Directive 73/23/EC as amended by 93/68/EC.

Equipment description	Iridium Model 9801, Broadband Terminal, Above Decks Equipment
Serial numbers tested	900A0K, 900A0L, 900A0M, 900A0N, 900A0P
Manufacturer	Celestica, Johor Senai, Malaysia.
Issue date	15 th August, 2008

The following harmonized standards were applied to the design of the handset:

Low Voltage Directive	Test Report	Report Date
EN 60950-1:2002	SU3664/8725	15 th August 2008
R&TTE Directive - EMC	Test Report	Report Date
EN 301 489-20 V1.2.1 (2002-1) & EN 60945:2002	EU2780/8579	13 th May 2008
R&TTE Directive - Radi	Test Report	Report Date
EN 301 441 V1.1.1 (2000-05)	RU1427/8509 RU1496/8759	2 nd June 2008 3 rd Sept. 2008

The Test Report References above are test reports prepared by TRL Compliance Ltd, Moss View, Nip Lane, Up Holland, West Lancashire, WN89PY, UK.

Accreditation references: TRL - UKAS 0728 and BSI FS 21805

The project master file, which contains or references all necessary documents to make up a "technical file" is retained by Iridium satellite, LLC

The Model 9801 Certification is dependent on the following criteria:

1. The Model 9801 is installed and used as described in Model 9801 User Guide
2. The Model 9801 is only used with Model 9701 Below Decks Equipment (BDE)
3. The Model 9801 is manufactured by Celestica or an equivalent competent manufacturer adopting the same process with equivalent quality levels.

I am satisfied that relevant standards have been used in the design, the above documentation exists in the project Master File, and that the product will be labelled with the CE mark before despatch.

Signed  Vice President, Technology

Date Oct. 2, 2013

Appendix B – Specifications

RF Performance		
Frequency of Operation	Transmit	1616 to 1626.0 MHz
	Receive	1616 to 1626.5 MHz
Channelization	FDMA Spacing	41.67 KHz
	TDMA Timing	8.3 ms slots in a 90 ms repeating frame
	Channels Available	250 Channels (max 64 per iOP)
Maximum EIRP	Voice (1 line)	6.3 Watts average power
	Data (64 ch)	12.6 Watts average power
Modulation	Voice/Data	QPSK
Antenna	Type	Electronically switched and phase steered 6 dual element azimuth array and 1 Zenith element
	Polarization	RHCP
	Maximum Gain	+8 dBi
	Beam Width	Hemispheric coverage (60° per element)
	Steering	Automatic solid state
	Coverage	Horizon to horizon
	Ship's Motion	Useful link margin up to 20° pitch and roll
	Turning Motion	Useful link margin up to 90 degrees/second turning motion

Power Requirements		
Mains Power (Power module)	Input Voltage	100 to 240 VAC
	Input Frequency	50 or 60 Hz
	Output Power	100 Watts (24 volts @ 4.2 Amps)
BDE DC Input	DC Input Voltage	11 to 32 VDC
	Standby Power	18 Watts
	Power During Call	22 Watts
	Power During Data	31 Watts (max power consumption)

Environmental Specifications		
Above Decks Equipment ADE	Enclosure Type	RF Transparent dome with aluminum base
	Temperature Range	-30 to + 70 degrees Celsius (operating) -40 to +85 degrees Celsius (Storage)
	Relative Humidity	0 to 93% Relative Humidity
	Enclosure Rating	Meets IP56 resistance to dust and water ingress
	Wind	In excess of 100 mph with proper mounting (See section 8)
Below Decks Equipment BDE	Enclosure Type	IP33 compliant plastic enclosure
	Temperature Range	0 to +50 degrees Celsius (operating) -40 to +85 degrees Celsius (Storage)

Physical Description		
ADE	Diameter	58 cm
	Height	20 cm (40 cm with mounting bracket)
	Weight	12.5 kg (includes mounting bracket)
	Mounting	Mounting bolts are M10 arranged in a 15 cm diameter bolt circle
BDE	Length	250 mm
	Width	190 mm
	Height	55 mm
	Weight	1.35 kg
	Mounting	Wall mount (see attached template in appendix F)
Power Module	Length	140 mm
	Width	59 mm
	Height	35 mm
	Weight	1 kg
Interconnect Cable	Length	20 m or 50 m available
	Diameter	8 mm
	ADE Connector	Bulgin PX0728/S 9-way (IP68)
	BDE Connector	Shielded RJ-45 8-position

User Interfaces

BDE	SIM Card	Furnished by Iridium service provider
	Data	10 base T RJ-45 Ethernet port
	Voice 1	RJ-11 (2 wire) POTS interface
	Voice 2	RJ-11 (2 wire) POTS interface
	Voice 3	RJ-11 (2 wire) POTS interface

Appendix C – ADE/BDE Cable

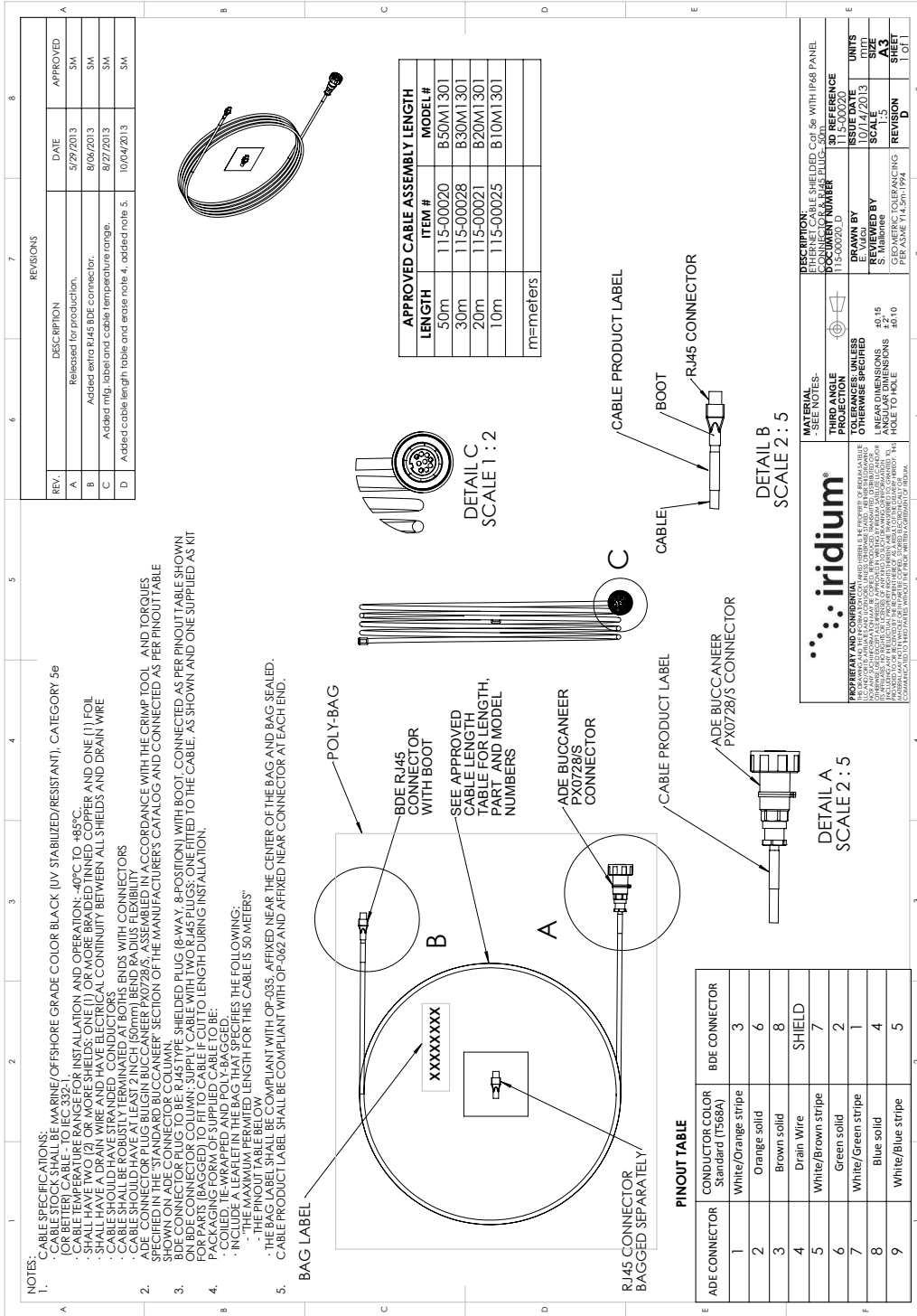
ADE/BDE Interface Cable

Notes:

1. BDE connector to be RJ-45 shielded, connected as per table. Use Stewart Connector Part number 943-SP-370808SM2 or equivalent.
2. The ADE connector is Bulgin Buccaneer PX0728/S connected per the table below. To maintain weather proof seal the connector gland nut must be tightened to 10 lbf-inches of torque.
3. Cable to be marine grade, tri-shielded network cable such as Belcom part number M4884969 or equivalent.
4. Cable length is typically 45 meters long. The combined length of the ADE/BDE interface cable plus the Computer-to-Data port cable shall not exceed 100 meters total length to comply with Ethernet maximum length standards.
5. If installer is not using Iridium provided cables and is creating a cable, please follow the pin out instructions as detailed below.

ADE Connector	Conductor Color Standard (T568A)	BDE Connector
1	White/Orange stripe	3
2	Orange solid	6
3	Brown solid	8
4	(drain wire)	SHIELD
5	White/Brown stripe	7
6	Green solid	2
7	White/Green stripe	1
8	Blue solid	4
9	White/Blue stripe	5

Figure 18. ADE/BDE Cable Drawing



Appendix D – Ground Cables

Figure 19.

3m ADE Ground Cable

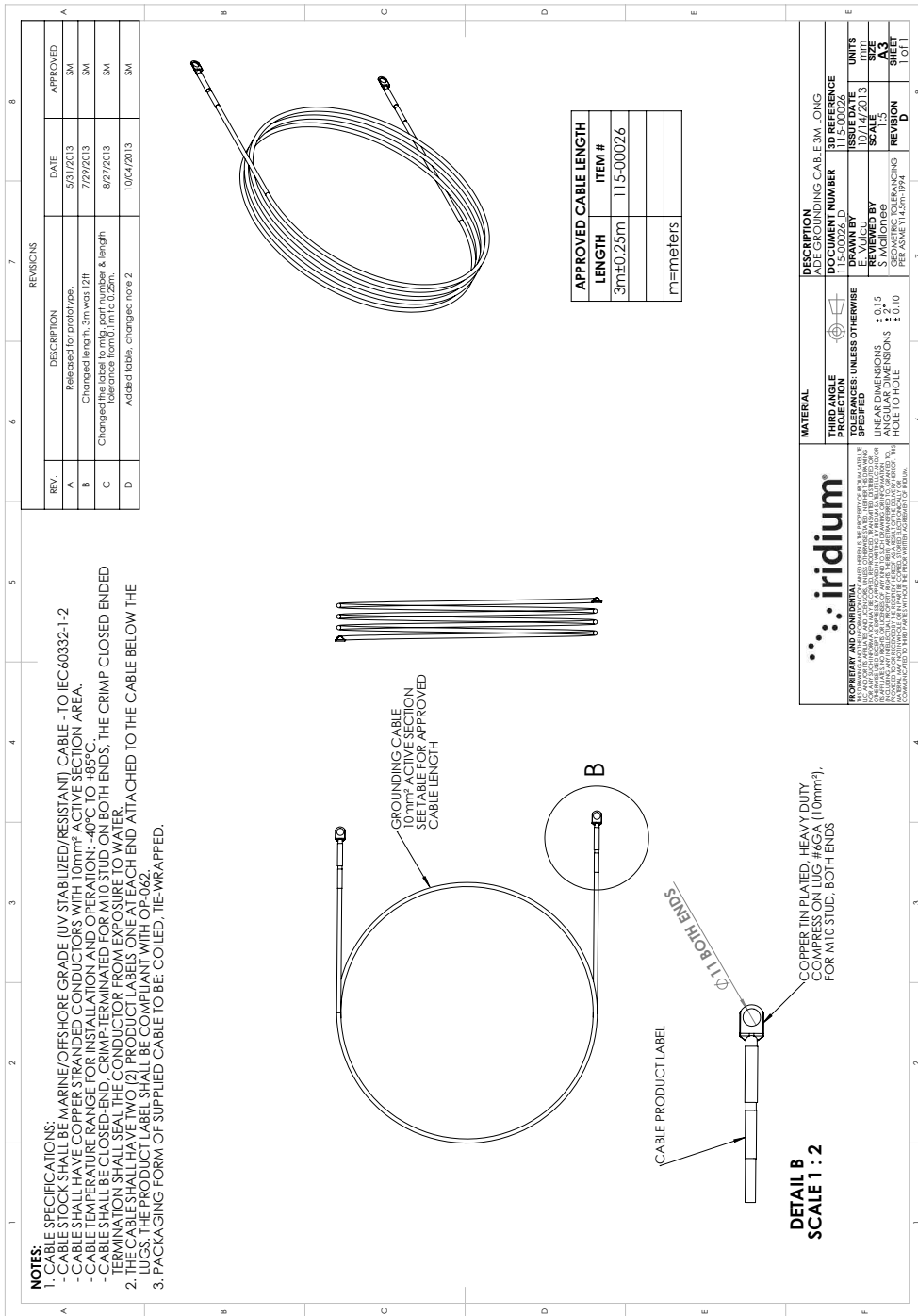


Figure 20.

8m ADE Ground Cable

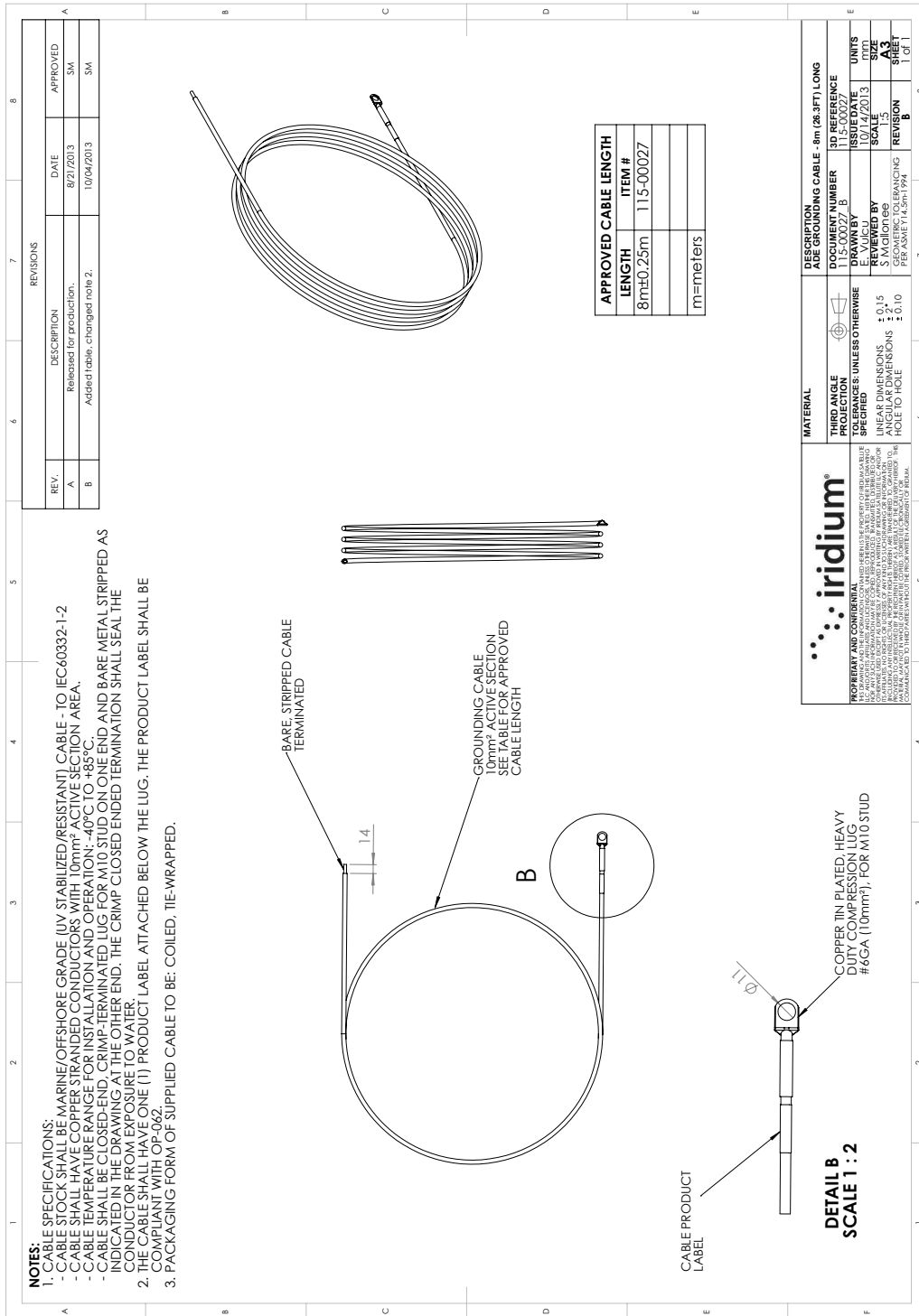


Figure 21.

Grounding Hardware Kit (included with the 3m and 8m cable)

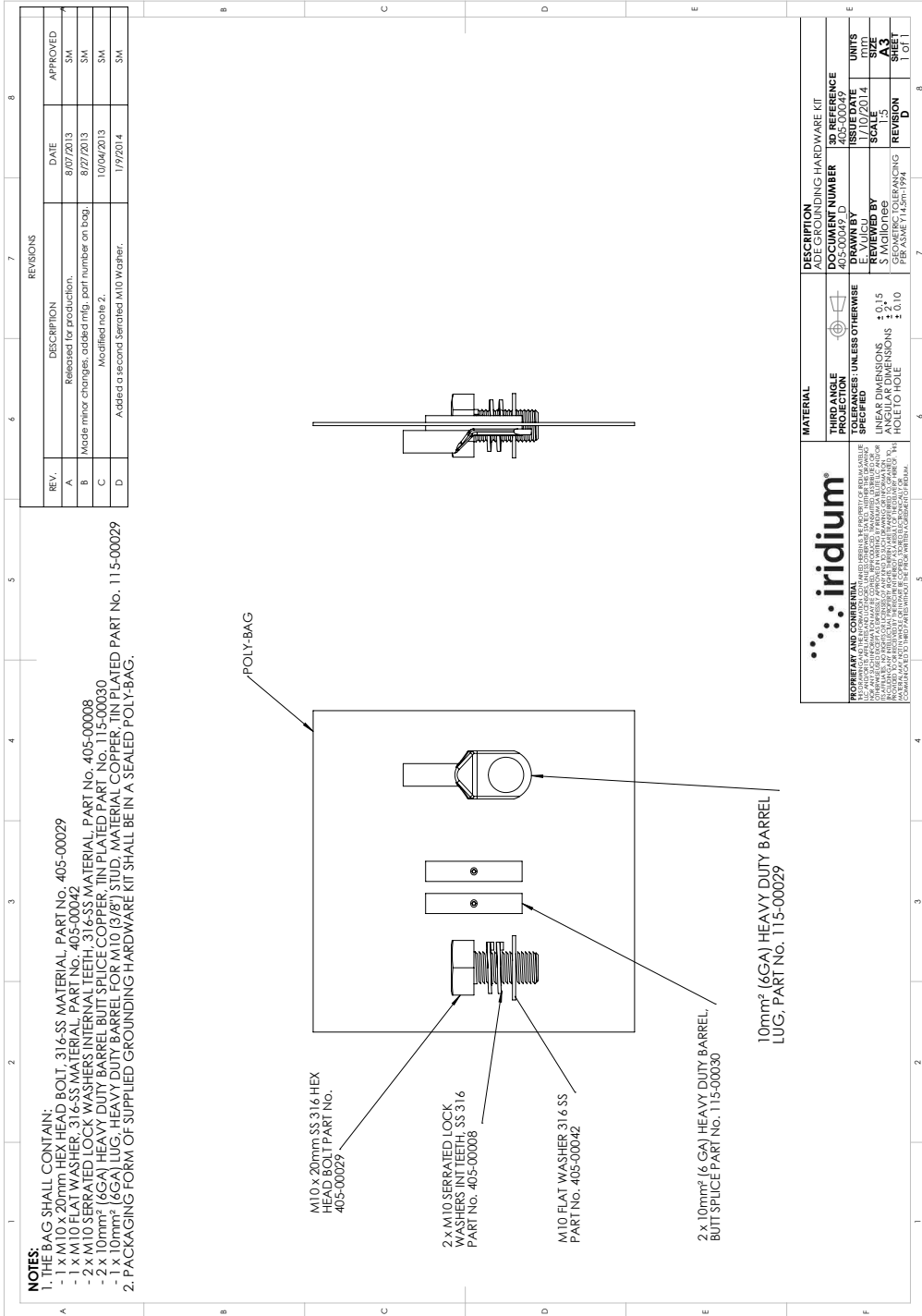


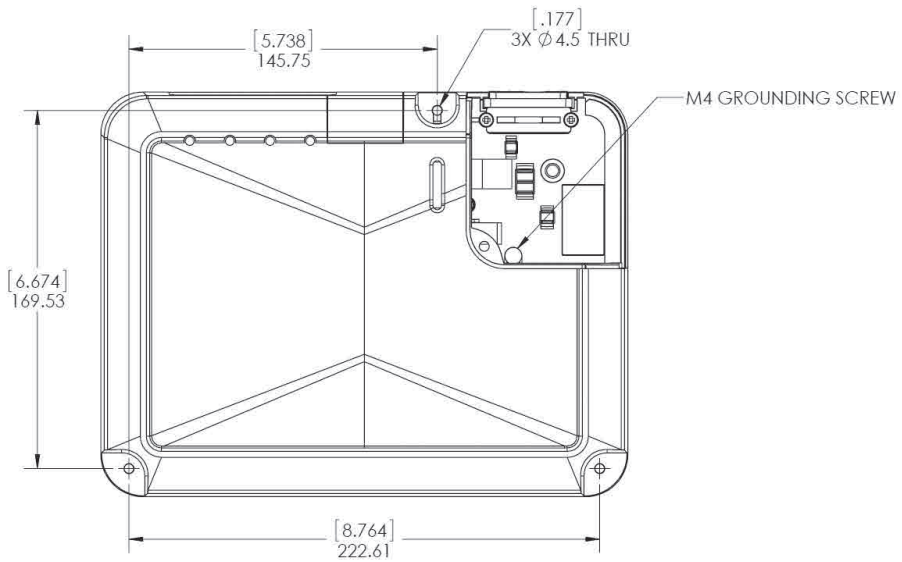
Figure 24. Mounting Hardware Component Supply

ITEM NO.	DESCRIPTION	QTY	SUPPLY
1	RADOME ASSEMBLY	1	INCLUDED
2	ADE STAND (MOUNTING BRACKET)	1	INCLUDED
3	RUBBER ISOLATION GASKET	2	INCLUDED
4	M10X30MM HEX BOLT 316 S/S	4	USER SUPPLIED
5	RUBBER-STEEL WASHER 3/8	12	INCLUDED
6	M10 JAM NUT 316 S/S	4	USER SUPPLIED
7	M10 HEX NIT 316 S/S	4	USER SUPPLIED
8	POLE/MAST MOUNT	1	USER SUPPLIED
9	M10 LOCK WASHER M10	6	INCLUDED
10	M10-1.5X30MM HEX CAP SCREW 316 S/S	4	INCLUDED
11	M10X20MM HEX GROUND BOLT 316 S/S	1	INCLUDED
12	LOCTITE C5-A COPPER ANTI-SIEZE LUBE	1	INCLUDED
13	M10 FLAT WASHER 316 S/S (GROUND BOLT)	1	INCLUDED

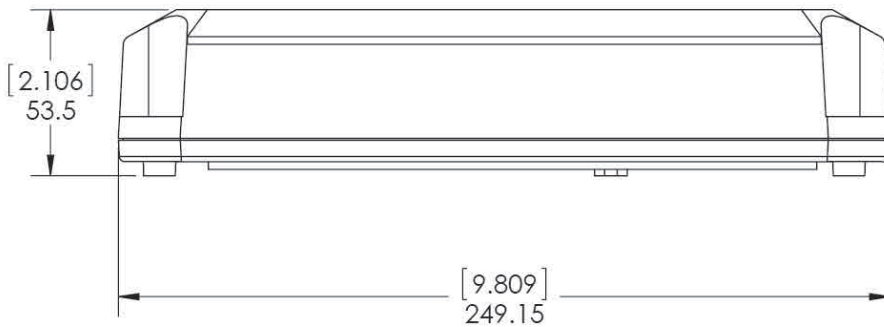
Appendix F – Dimensional Drawings

Figure 25. Below Deck Equipment (BDE)

Mounting Screw Locations



Length and Height View



Width View

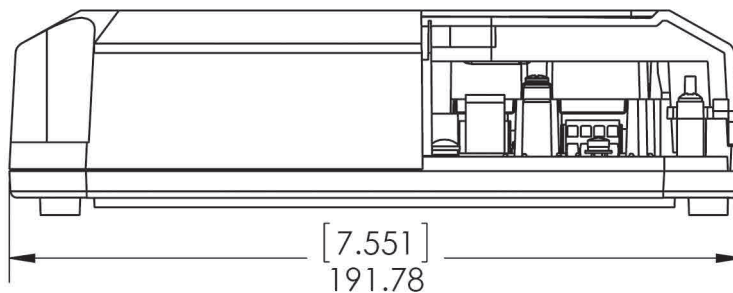
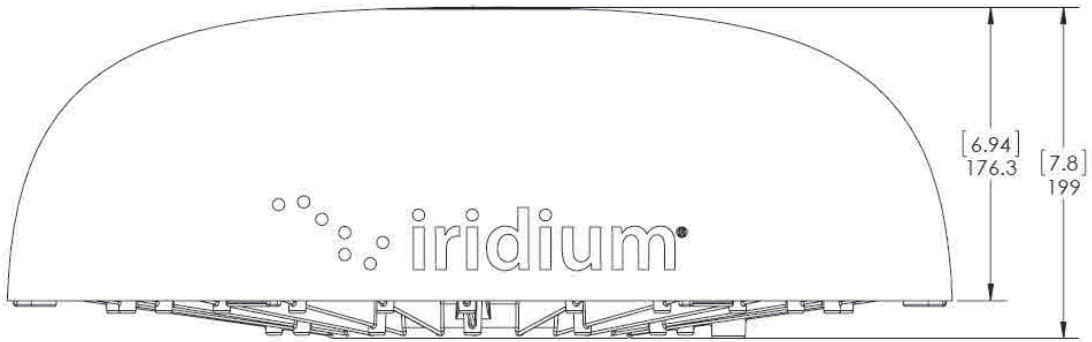


Figure 26. Above Deck Equipment (ADE) – Side and Top View

Side View



Top View

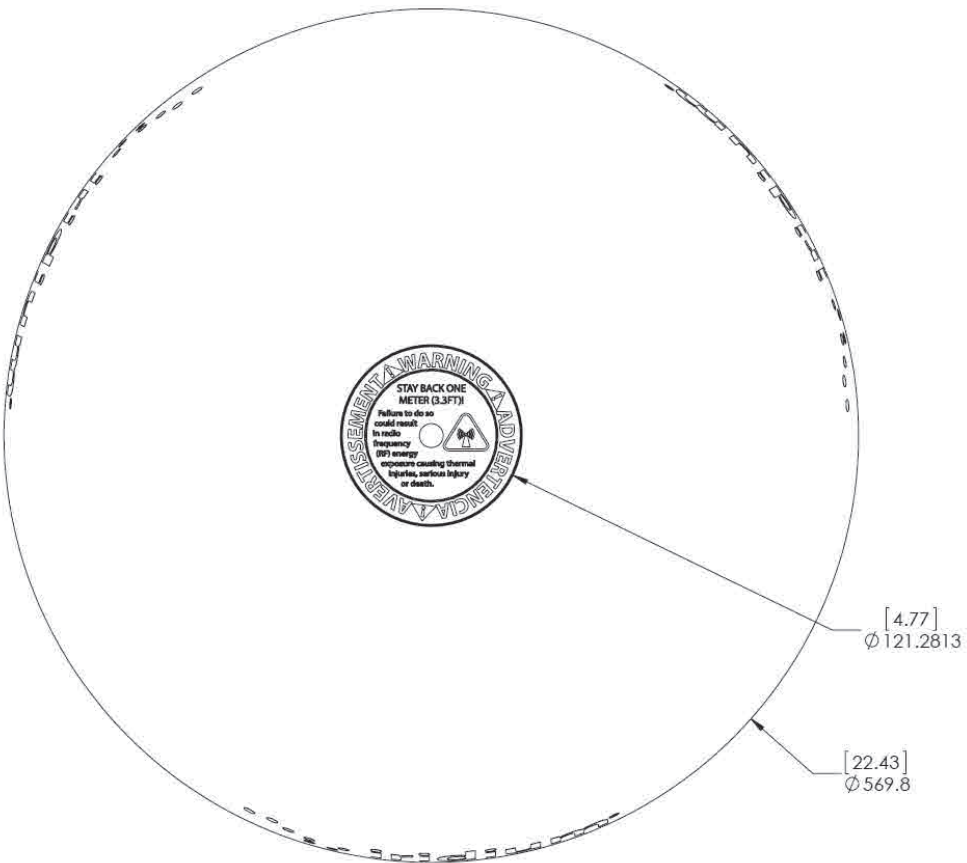


Figure 27. Above Deck Equipment (ADE) – Bottom View

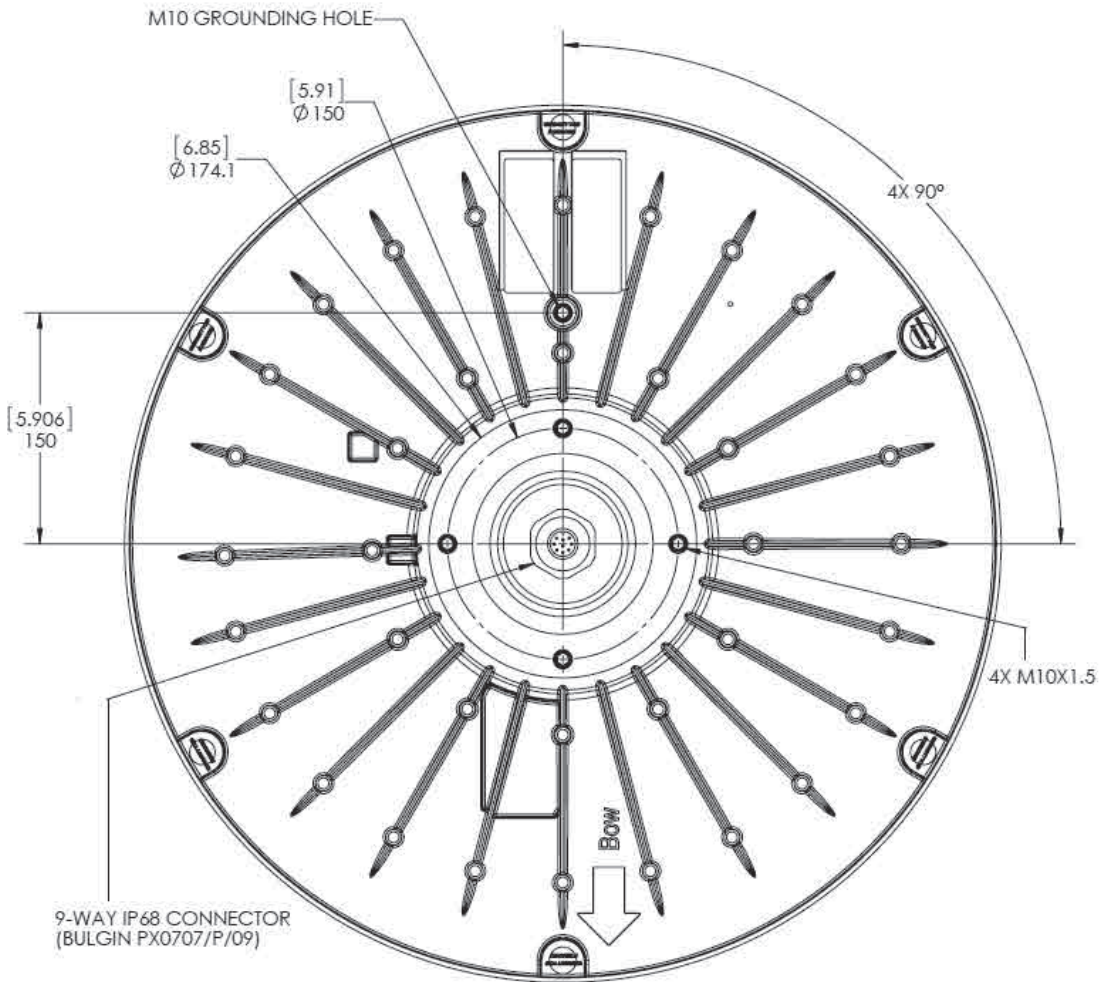


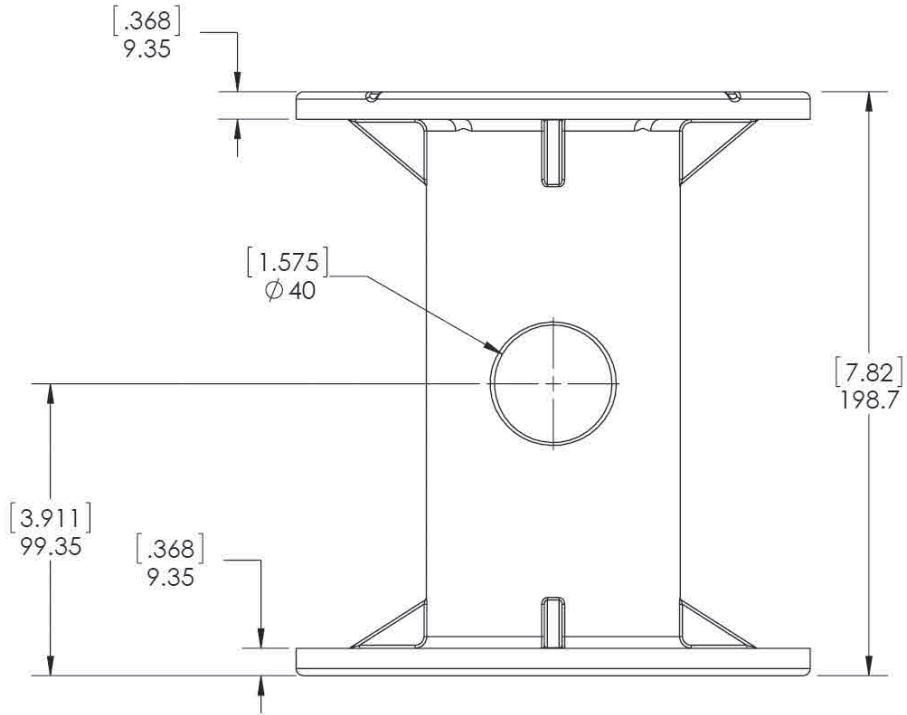
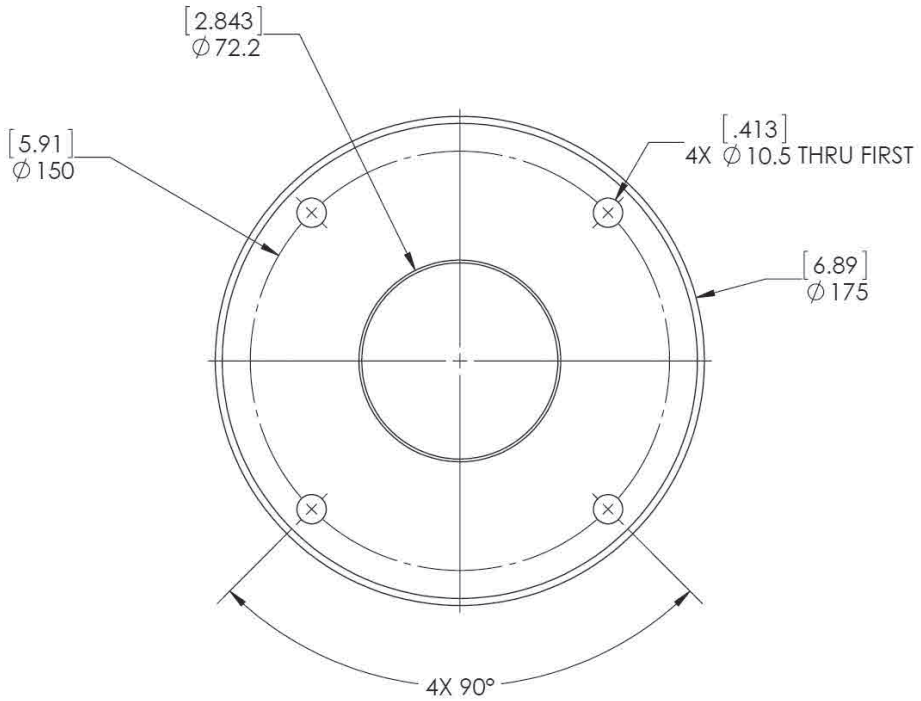
Figure 28. Mounting Bracket –Side View**Side View**

Figure 29. Mounting Bracket – Bottom and Top Plate

Top Plate View – ADE Mounting



Bottom Plate View – Pole Mounting

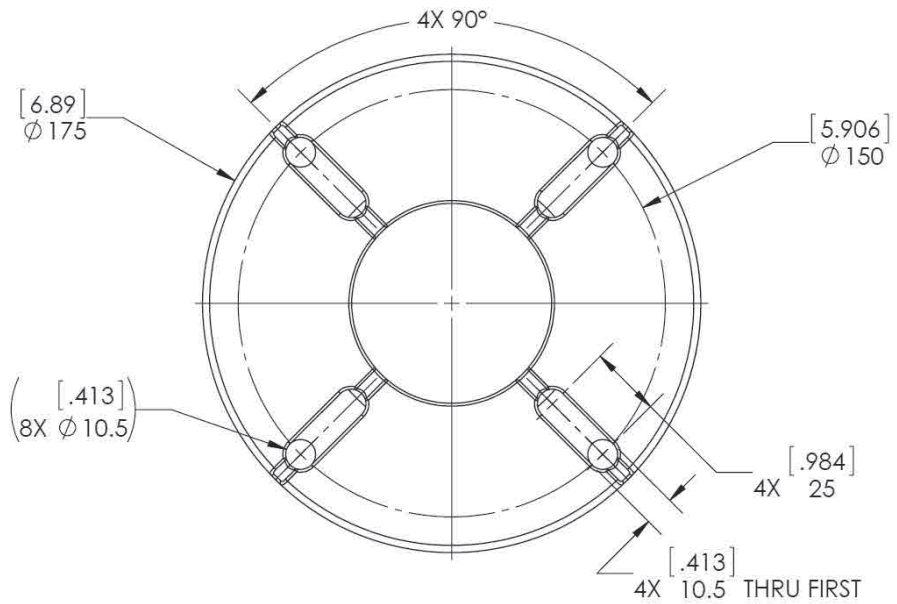
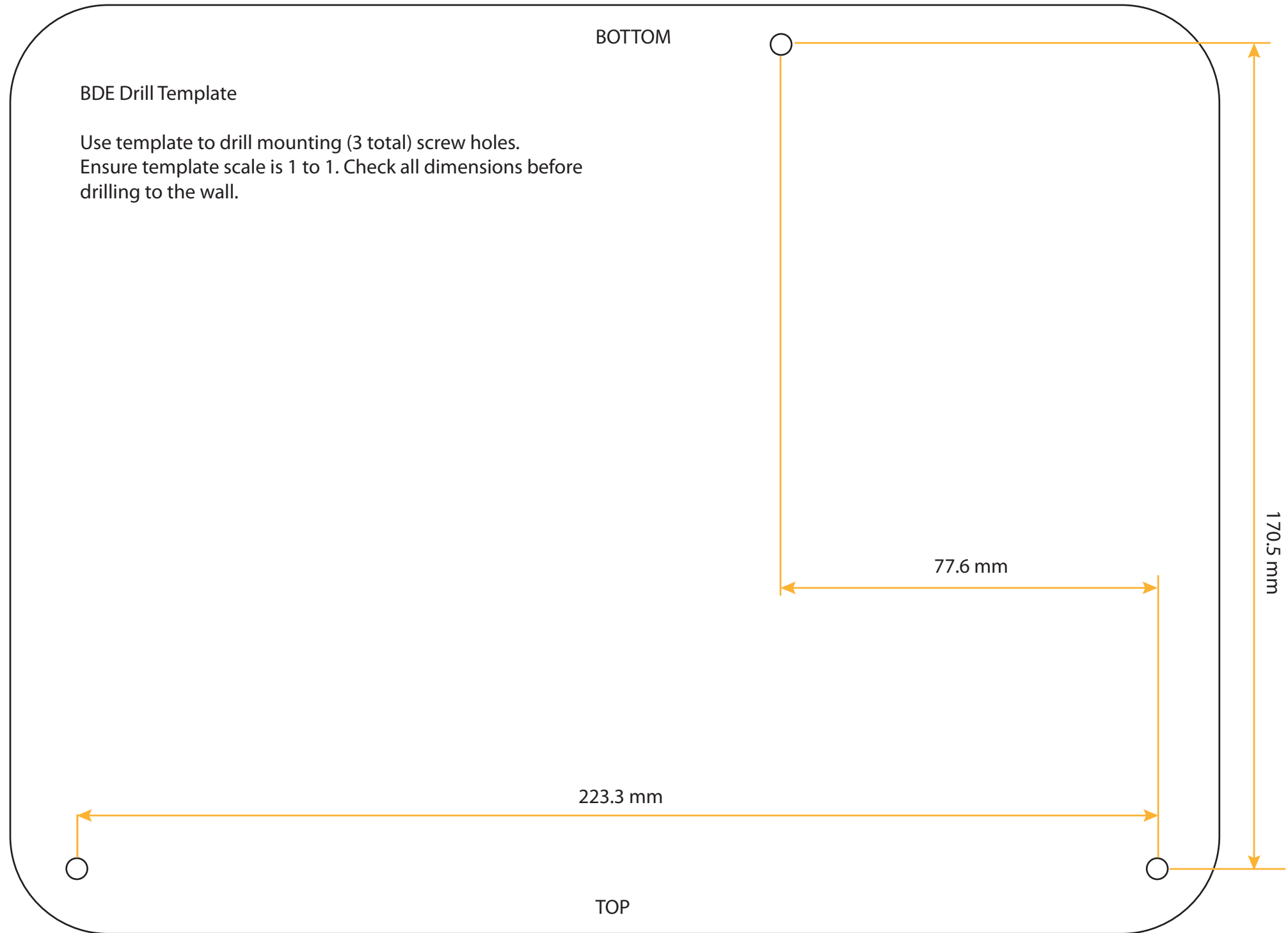


Figure 30. BDE Drill Template



5: APPENDICES

Figure 31. Telephone Template

The telephone handset mounts on a standard bolt pattern and can be wall mounted by installing two screws with 8 mm heads 82.55 mm apart spaced vertically.

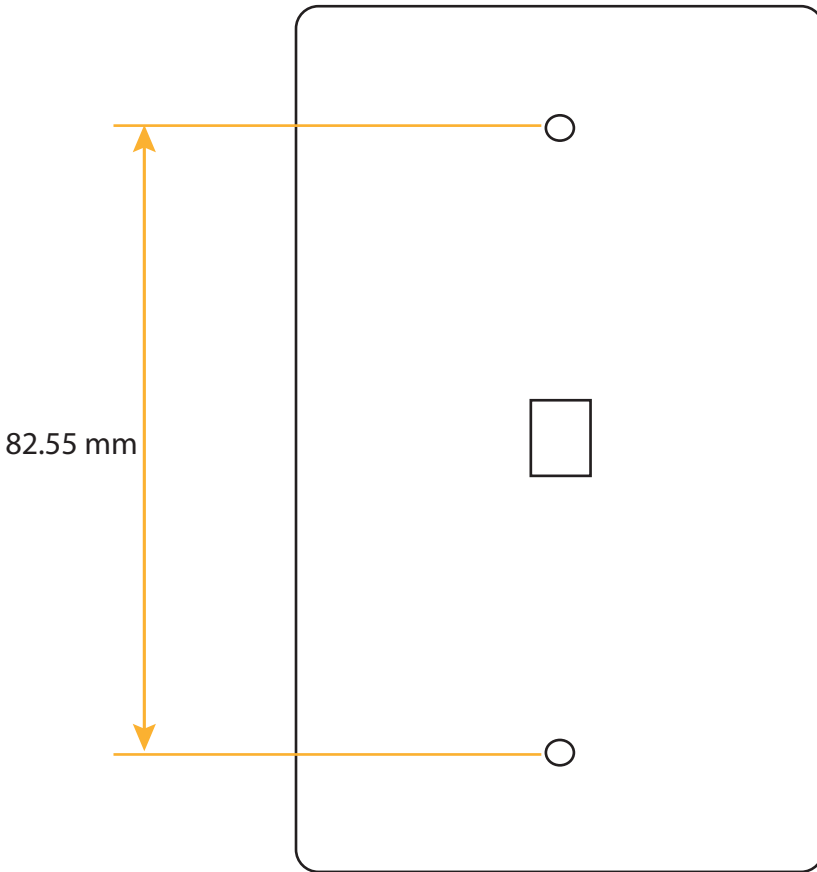


Figure 32. ADE Mounting Bracket Template

Use the following template as needed in the fabrication of a mounting bracket or other. This template matches the flange dimensions on the ADE Mounting Bracket.



Appendix G – Terms and Conditions, Limited Warranty (including Exclusions and Limitations), Software License and Claim Process

Iridium Pilot® Products Terms and Conditions

All sales by Iridium of Iridium Pilot subscriber products (Above Deck Equipment, Below Deck Equipment, and Power Supply) (collectively the “Product”) and accessories (i.e. cables, captain and crew handsets, mounts) (“Accessories”) are subject to and conditioned upon the Purchaser’s acceptance of these Terms and Conditions. Iridium objects to any additional or different terms contained in any documentation used or submitted by buyer unless expressly accepted in writing by Iridium. If any provision of these Terms and Conditions is found invalid under applicable law or court order, all other provisions shall be unaffected and remain independently binding and valid. The provisions in these Terms and Conditions supersede any contrary provisions in other Iridium documents, including *Iridium OpenPort Product Limited Warranty Policy*.

1. IRIDIUM PILOT LIMITED WARRANTY

Iridium warrants only that the Product, not including Accessories, shall be free from defects in materials and workmanship for a period of sixty (60) months (five (5) years) from the date of sale to the end-user. Iridium Pilot Accessories shall be covered by this Limited Warranty for twelve (12) months (one (1) year). Iridium does not authorize any person to assume or create for it any other obligation or liability in connection with any Product or Accessories.

IRIDIUM MAKES NO OTHER WARRANTY OR GUARANTEE, EXPRESS OR IMPLIED, INCLUDING, WITHOUT LIMITATION, ANY WARRANTY OF MERCHANTABILITY OR FITNESS FOR A PARTICULAR PURPOSE, NON-INFRINGEMENT, SATISFACTORY QUALITY, NON-INTERFERENCE, ACCURACY OF INFORMATIONAL CONTENT, OR ARISING FROM A COURSE OF DEALING, LAW, USAGE, OR TRADE PRACTICE. IN NO EVENT SHALL IRIDIUM BE LIABLE FOR SPECIAL, INCIDENTAL, OR CONSEQUENTIAL DAMAGES ARISING OUT OF OR IN CONNECTION WITH THE PRODUCT OR ACCESSORIES, OR FOR ANY INDEMNIFICATION OF PURCHASER ON ACCOUNT OF ANY CLAIM ASSERTED AGAINST PURCHASER, OR FOR ANY OTHER DAMAGE OF ANY KIND, WHETHER DIRECTLY OR INDIRECTLY RELATED TO THE PRODUCT, ACCESSORIES OR IRIDIUM’S SERVICE. TO THE EXTENT THAT ANY IMPLIED WARRANTY CANNOT BE DISCLAIMED, SUCH WARRANTY SHALL BE LIMITED IN DURATION TO THE EXPRESS LIMITED WARRANTY PERIOD. THIS WARRANTY IS MADE BY IRIDIUM TO THE PURCHASER OF THE PRODUCT AND ACCESSORIES ONLY, AND IT IS NOT ASSIGNABLE OR TRANSFERABLE BY THE PURCHASER. TO THE EXTENT PERMITTED BY LAW, THIS IS IRIDIUM’S SOLE AND COMPLETE WARRANTY FOR THE PRODUCT AND ACCESSORIES. THIS WARRANTY COVERS PRODUCT AND ACCESSORIES ONLY. IRIDIUM MAKES NO WARRANTY AS TO COVERAGE, AVAILABILITY, OR GRADE OF SERVICE PROVIDED BY IRIDIUM SEPARATELY FOR IRIDIUM SATELLITE SERVICES. IRIDIUM ASSUMES NO OBLIGATION OR LIABILITY FOR ADDITIONS OR MODIFICATIONS TO THIS WARRANTY UNLESS MADE IN WRITING AND SIGNED BY AN OFFICER OF IRIDIUM.

This Product and Accessories is covered only by the LIMITED WARRANTY as stated above. To the extent permitted by applicable law, Iridium specifically disclaims any other warranty terms, liabilities, or obligations which may be implicated by sale or purchase of the Product or Accessories outside of the United States. Except as specified in this LIMITED WARRANTY, Products and Accessories are provided “AS IS.”

If you acquired this Product and Accessories in Australia or in New Zealand, this Product and Accessories come with guarantees that cannot be excluded under the Australian Consumer Law or similar legislation in New Zealand. The benefits to a consumer given by the warranty are in addition to other rights and remedies of a consumer under a law in relation to the goods or services to which the warranty relates. Notwithstanding other express terms and other limitations of this Limited Warranty (which other express terms and other limitations are negated by this paragraph, but only to the extent inconsistent with this paragraph, and will not be applied to limit consumer rights under such guarantees), where such guarantees operate, consumers are entitled to a replacement or a refund for a major failure of this Product and Accessories and for compensation for any other reasonably foreseeable loss or damage. Where such guarantees operate, consumers are also entitled to

have this Product and Accessories repaired or replaced if this Product and Accessories fail to be of acceptable quality and the failure does not amount to a major failure. Please follow the instructions as to use and report problems promptly: problems caused by use that is abnormal or contrary to instructions will generally not be covered. You should contact your Product and Accessories provider in relation to problems with the Product and Accessories and Iridium will assist your Product and Accessories provider to resolve them.

2. EXCLUSIONS

A. Product and Accessories Conditions Not Covered By The LIMITED WARRANTY in Section 1 above:

1. Product or Accessories damage caused by the use of equipment not furnished by Iridium, including accessories, power supplies and peripherals.
2. Failures caused by incompatibility of Iridium Product or Accessories used in a combination with equipment not furnished by Iridium.
3. Damage to any equipment not furnished by Iridium.
4. Defects or damage resulting from use of the Product or Accessories in any manner not in accordance with the User Manual or Installation Guide.
5. Damages resulting from accident or neglect, including but not limited to dropping the Product or Accessories on hard surfaces, submersion in water, improper testing, operation, maintenance, installation, adjustment, or any alteration or modification of any kind, including spliced or improperly terminated cables.
6. Scratches or other damage to surfaces or the appearance of externally exposed parts caused by Purchaser's use.

B. The LIMITED WARRANTY in Section 1 of these Terms and Conditions is VOID upon the following:

1. Product integration, installation, maintenance, or service in any manner other than in accordance with the Iridium installation and user documentation furnished with or applicable to the Product or Accessories.
2. Use of ancillary equipment not furnished by Iridium which damages Iridium Product or Accessories.
3. Product or Accessories disassembly, opening, or repair performed by anyone other than an Iridium Authorized Repair Center.
4. Removal, alteration, or obliteration of serial numbers or date tags.
5. Failure to comply with these Terms and Conditions, including Limitations and Conditions of Use in Section 4 below.

3. LIMITED WARRANTY CLAIMS – PURCHASER REMEDIES

At its sole discretion, Iridium shall, at no charge to Purchaser, either repair or replace the Product or Accessories, or refund the purchase price of a Product or Accessories that does not conform to this LIMITED WARRANTY, provided that the Product or Accessories is returned in accordance with the instructions set forth below and within the LIMITED WARRANTY period set forth in Section 1 above. Repair may include the replacement of parts and/or components with functionally equivalent, reconditioned, or new parts and/or components. Product or Accessories that is repaired or replaced in accordance with these Terms and Conditions will be covered by the LIMITED WARRANTY for the balance of the original warranty period, or six (6) months, whichever is longer. A returned Product or Accessories for which a replacement has been provided shall become Iridium's property.

To the extent permitted by applicable law, the remedies under these Terms and Conditions are Purchaser's sole and exclusive remedies. IN NO EVENT SHALL IRIDIUM, INCLUDING ITS LICENSORS AND/OR SUPPLIERS, BE LIABLE FOR ANY AMOUNT IN EXCESS OF THE PURCHASE PRICE OF THE PRODUCT OR ACCESSORIES, OR FOR ANY LOSS OF USE, LOSS OF TIME, INCONVENIENCE, COMMERCIAL LOSS, LOST PROFITS OR SAVINGS, OR OTHER INCIDENTAL, SPECIAL, OR CONSEQUENTIAL DAMAGES ARISING OUT OF OR RELATING TO THE USE OR INABILITY TO USE SUCH PRODUCT REGARDLESS OF NOTICE OF SUCH LOSS.

For warranty claims, questions, repairs, service or for the return of Product or Accessories, contact the Iridium Service Provider or Point-of-Sale. Products and Accessories needing service should be returned to the Purchaser's Service Provider or Point-of-Sale. Purchaser's Service Provider will coordinate warranty service with Iridium to facilitate repair or replacement of the Product or Accessories. All Products and Accessories shipped to Iridium's authorized Global Warranty Center(s) must be shipped with freight and insurance pre-paid. Products and Accessories returned to Iridium must be accompanied by a copy of the Return Material Authorization (RMA), and the RMA number referenced on the outside of the box.

Product and Accessories that are repaired or replaced under the LIMITED WARRANTY shall be returned to Purchaser at Iridium's expense for the freight and insurance, and at Purchaser's expense for any applicable duties or other charges. If you are a consumer entitled to return the Product under statutory guarantee, at your request Iridium will reimburse reasonable shipping costs incurred by you.

4. LIMITATIONS AND CONDITIONS OF USE

In the United States, and subject to availability, emergency calls using 911 or 112 emergency systems, are routed to emergency call centers for response. OUTSIDE OF THE UNITED STATES, EMERGENCY ACCESS NUMBERS SUCH AS 911, 112, AND/OR 999, ARE *UNAVAILABLE ON THE IRIDIUM NETWORK AND MOBILE SATELLITE SERVICE*. Iridium also does not currently support enhanced 911 or 112 services and does not provide information to emergency call centers to identify callers' locations.

Purchaser and all users of the Product and Accessories, including but not limited to the use of the Iridium phone services, in conjunction with 911, 112, or any other emergency or distress call services, both public and privately operated, acknowledge and agree as a condition of the provision of Iridium phone service that they will make no claim in contract, tort, or otherwise, against Iridium for any damages, bodily injury, loss of life, or any other loss arising from unavailability, delay, faultiness, or failures of the Iridium facilities, service, Product or Accessories, including inaccuracies with regard to any user information. Users disclaim any liability against Iridium arising from Iridium's service in exchange for the provision of Iridium's phone service through its Products and Accessories.

As part of providing its service, Iridium may disclose user information, including but not limited to name, address, telephone number and location information, including, where available, the geographic coordinates of equipment, to governmental and quasi-governmental agencies where Iridium deems it necessary in its sole discretion to respond to exigent circumstances or as required by law. Governmental and quasi-governmental agencies shall also be deemed "users" for all purposes of this provision and these Terms and Conditions.

Purchaser shall only use the Products and Accessories in connection with service on the Iridium satellite network using airtime purchased from Purchaser's Iridium Service Provider. Terms and conditions for use of the Iridium system and network airtime are provided separately by Purchaser's Service Provider. Iridium or Purchaser's Service Provider may from time to time change or establish additional terms and conditions. Iridium will attempt to reasonably provide Purchaser with notice of changes in terms and conditions. All terms and conditions will be effective as of the date such changes are made available publicly, and Purchaser's use of the Product or Accessories after such date shall constitute acceptance of new and/or modified terms and conditions.

The Product and Accessories must not be used in connection with any third-party devices, including but not limited to computers, cameras, batteries, GPS devices, recorders or other devices which alter the format of information sent or received by the Product or Accessories, except to the extent that Iridium has tested those devices and certified that their use will have no adverse effect on the Iridium satellite network. All devices approved by Iridium will be advertised and labeled as Certified by Iridium. Only such "Iridium-Approved Devices" may be used with the Product and Accessories and with the Iridium system.

Modification, reverse-engineering, or any attempt to reverse-engineer the Product or Accessories, any component of any Product or Accessories or the manner in which the Product or Accessories connects to, sends information to,

receives information from, or otherwise interacts with the Iridium system is strictly prohibited, will void the LIMITED WARRANTY under Section 1 of these Terms and Conditions, and may result in legal action by Iridium.

5. INDEMNITY

Purchaser agrees to defend, indemnify and hold Iridium and its Service Provider harmless with respect to any claims or actions by any governmental entities or other third parties related to any violation of law with use of the Product or Accessories, misuse of the Product or Accessories under these Terms and Conditions, or any other violation of these Terms and Conditions and further agrees to pay all costs, damages, fines and other amounts incurred by Iridium, or on Iridium's behalf, in the defense of any such claims or actions. Airtime charges remain applicable for any and all misuse of the Product or Accessories.

Failure to comply with these Terms and Conditions, including Limitations and Conditions of Use, will void the LIMITED WARRANTY and Iridium reserves the right to terminate Iridium's service at any time.

6. SOFTWARE LICENSE

The following terms govern Purchaser's access and use of the Iridium or Iridium-supplied software ("Software") contained on the Product or Accessories.

License. Conditioned upon compliance with these Terms and Conditions, Iridium grants to Purchaser a nonexclusive and nontransferable license to use for Purchaser's internal purposes the Software and the Documentation. "Documentation" means written information (whether contained in user or technical manuals, training materials, specifications or otherwise) pertaining to the Software and made available by Iridium with the Software in any manner. Purchaser shall use the Software solely as embedded in (or, if downloaded, as provided via download), for execution on, and for communication via the Iridium network.

No other licenses are granted by implication, estoppel or otherwise.

General Limitations. This is a license, not a transfer of title, to the Software and Documentation, and Iridium retains ownership of all copies of the Software and Documentation. Purchaser acknowledges that the Software and Documentation contain trade secrets of Iridium or its suppliers or licensors, including but not limited to the specific internal design and structure of individual programs and associated interface information. Except as otherwise expressly provided under the Agreement, Purchaser shall have no right, and Purchaser specifically agrees not to:

- i. transfer, assign or sublicense its license rights to any other person or entity (other than in compliance with any Iridium relicensing/transfer policy then in force), or use the Software on unauthorized or secondhand Iridium equipment, and Purchaser acknowledges that any attempted transfer, assignment, sublicense or use shall be void;
- ii. make error corrections to or otherwise modify or adapt the Software or create derivative works based upon the Software, or permit third parties to do the same;
- iii. reverse engineer or decompile, decrypt, disassemble or otherwise reduce the Software to human-readable form, except to the extent otherwise expressly permitted under applicable law notwithstanding this restriction;
- iv. use or permit the Software to be on a service bureau or time sharing basis or otherwise, without the express written authorization of Iridium; or disclose, provide, or otherwise make available trade secrets contained within the Software and Documentation in any form to any third party without the prior written consent of Iridium. Purchaser shall implement reasonable security measures to protect such trade secrets.

To the extent required by law, and at Purchaser's written request, Iridium shall provide Purchaser with the interface information needed to achieve interoperability between the Software and another independently created program, on payment of Iridium's applicable fee, if any. Purchaser shall observe strict obligations

of confidentiality with respect to such information and shall use such information in compliance with any applicable terms and conditions upon which Iridium makes such information available.

Software, Upgrades and Additional Copies. For purposes of the Agreement, “Software” shall include (and the terms and conditions of the Agreement shall apply to) computer programs, including firmware, as provided to Purchaser by Iridium or an authorized Iridium reseller, and any upgrades, updates, bug fixes or modified versions thereto (collectively, “Upgrades”) or backup copies of any of the foregoing.

NOTWITHSTANDING ANY OTHER PROVISION OF THESE TERMS AND CONDITIONS: (1) UNLESS AUTHORIZED BY IRIDIUM, PURCHASER HAS NO LICENSE OR RIGHT TO MAKE OR USE ANY ADDITIONAL COPIES OR UPGRADES. IRIDIUM MAY MAKE SOFTWARE AVAILABLE BASED ON ADDITIONAL TERMS; (2) USE OF UPGRADES IS LIMITED TO IRIDIUM PRODUCTS AND ACCESSORIES FOR WHICH PURCHASER IS THE ORIGINAL END USER, PURCHASER OR LESSEE OR OTHERWISE HOLDS A VALID LICENSE TO USE THE SOFTWARE WHICH IS BEING UPGRADED; AND (3) THE MAKING AND USE OF ADDITIONAL COPIES IS LIMITED TO NECESSARY BACKUP PURPOSES ONLY.

Proprietary Notices. Purchaser agrees to maintain and reproduce all copyright and other proprietary notices on all copies, in any form, of the Software in the same form and manner that such copyright and other proprietary notices are included on the Software. Except as expressly authorized in these Terms and Conditions, Purchaser shall not make any copies or duplicates of any Software without the prior written permission of Iridium.

Term and Termination. These Terms and Conditions and the license granted herein shall remain effective until terminated. Purchaser may terminate these Terms and Conditions and the license at any time by destroying all copies of Software and any Documentation. Purchaser’s rights under these Terms and Conditions will terminate immediately without notice from Iridium if Purchaser fails to comply with any provision of these Terms and Conditions. Upon termination, Purchaser shall destroy all copies of Software and Documentation in its possession or control. All confidentiality obligations of Purchaser and all limitations of liability and disclaimers and restrictions of warranty shall survive termination of this Agreement.

Export, Re-Export, Transfer and Use Controls. The Software, Documentation and technology or direct products thereof (hereafter referred to as Software and Technology), supplied by Iridium under these Terms and Conditions are subject to export controls under the laws and regulations of the United States (U.S.). Purchaser shall comply with such laws and regulations governing export, re-export, transfer and use of Iridium Software and Technology and will obtain all required U.S. and local authorizations, permits, or licenses. Iridium and Purchaser each agree to provide the other information, support documents, and assistance as may reasonably be required by the other in connection with securing authorizations or licenses.

U.S. Government End User Purchasers. The Software and Documentation qualify as “commercial items,” as that term is defined at Federal Acquisition Regulation (“FAR”) (48 C.F.R.) 2.101, consisting of “commercial computer software” and “commercial computer software documentation” as such terms are used in FAR 12.212. Consistent with FAR 12.212 and DoD FAR Supp. 227.7202–1 through 227.7202-4, and, notwithstanding any other FAR or other contractual clause to the contrary in any agreement into which these Terms and Conditions may be incorporated, Purchaser may provide to Government end user or, if the sale is direct, Government end user will acquire the Software and Documentation with only those rights set forth in these Terms and Conditions. Use of either the Software or Documentation or both constitutes agreement by the Government that the Software and Documentation are “commercial computer software” and “commercial computer software documentation,” and constitutes acceptance of the rights and restrictions herein.

Iridium Pilot Product and Accessories Warranty Claim Process

1. Overview

This Policy is designed to offer Iridium Pilot customers, **through their Iridium Service Provider (ISP or Service Provider)**, a simple and expeditious support solution for the Iridium Pilot Product and Accessories. Customers and Dealers are encouraged to **contact their Service Provider for Product support**.

Iridium offers multiple solutions for warranty repairs: Standard Return Material Authorization (RMA) and the Global Service Program (GSP).

The Standard RMA requires Iridium to receive the returned Product or Accessories before shipping replacement Product or Accessories. If defective Product or Accessories issued under RMA is not received at the Iridium Global Warranty Center, per RMA, within four (4) months from RMA issuance, the RMA will be cancelled. In the event the defective Product or Accessories still requires return, a new RMA request and issuance must be issued.

An RMA through the GSP requires the Iridium designated field service provider to perform the warranty replacement and RMA process.

2. RMA through the Iridium Global Service Program

Iridium offers warranty replacement for Iridium Pilot Products or Accessories via the Iridium Global Service Program (GSP). The GSP employs full-time technicians trained on Iridium Pilot and marine electronics. This service is available 24 hours a day and can be arranged by contacting your Service Provider. Use of the GSP for warranty repair/replacement is at the discretion of Iridium with authorization from the Service Provider.

The GSP technician will conduct all troubleshooting, remove and/or replace and RMA activities on behalf of the Service Provider.

GSP warranty support and services are provided at no cost, to the Service Provider or customer, in the ports identified as part of the Iridium Global Service Program. Warranty support in locations outside the GSP network is available upon request. Additional charges may apply for out-of-network GSP activities. Additionally, charges may apply for GSP activities in which Iridium deems the Product and/or Accessory to be out of warranty.

3. Limited Warranty Categories

For warranty repairs, Product or Accessories must be returned with a copy of the Iridium issued RMA form. Iridium, at its option, shall at no charge to Purchaser either, repair, replace, or refund the wholesale purchase price of all Products or Accessories that do not conform to the *Iridium Pilot Products Terms and Conditions*.

If a Product or Accessories sold by Iridium is found to be faulty within the first one hundred twenty (120) days of use, it is considered to be an out-of-the-box failure. As such, the customer should contact their Service Provider to coordinate an RMA. The Service Provider will be responsible for all freight charges related to returning the unit for repair under warranty. Claim must be made within sixty (60) days of equipment failure. Out-of-the-box failures will be replaced with new Product(s) or Accessories.

Products or Accessories returned under warranty that are greater than one hundred twenty (120) days old from date of first use and within the warranty period, with proof of sale, may be replaced with factory refurbished Product(s) or Accessories. Replacement Product or Accessories will be warranted for the balance of the original warranty period, or six (6) months from shipment, whichever is greater. All Product(s) or Accessories must be returned to Iridium.

4. Accessories Under Warranty

Iridium Pilot accessories (“Accessories”) (i.e. cables, captain and crew handsets, mounts) are warranted for one (1) year from sale, with proof of sale.

To replace faulty Accessories, the customer should contact their Service Provider to request an RMA. Faulty Accessories are not required to be returned unless specifically requested by Iridium. A copy of the Iridium issued RMA form must be included with the material being returned. Material received by Iridium without an RMA will not be replaced under warranty and will be returned at the sender’s expense.

Warranty Returns

Iridium makes best efforts to provide an exchange of warranty claim units upon receipt of the defective equipment returned under Warranty RMA. Subject to inventory availability, equipment will be shipped within three (3) business days of RMA receipt.

Defective Products or Accessories covered under warranty shall be returned to Iridium by the Service Provider with freight, insurance, and customs duties/taxes prepaid via DDP (Deliver Duties Paid) Incoterms 2000.

Any storage fees related to clearance delays caused by insufficient information provided by the shipper will be charged to the shipper.

Replacement equipment will be returned to Service Provider via DDU (Deliver Duties Unpaid) Incoterms 2000. Iridium will be responsible for replacement shipment freight, less Duties/Taxes. Any storage fees related to clearance delays caused by insufficient information provided by the recipient will be charged to the recipient.

Following the assignment of an RMA by Iridium the customer may ship the faulty equipment directly to the Iridium Authorized Repair Center, per return address stated on Iridium issued RMA form. All Products or Accessories shipped from Iridium must be shipped to a Service Provider location. Return equipment can be delivered only to countries in which spectrum licenses for Iridium as well as equipment type approval or registration have been granted.

Out of Warranty Returns

All out of warranty returns shall be shipped to Iridium by the Service Provider. Repaired replacement equipment is returned by Iridium to Service Provider for return to the customer. Following the assignment of an RMA by Iridium, the Service Provider may direct their affiliate or customer to ship the damaged unit directly to an Iridium Authorized Repair Center, per return address stated on Iridium issued RMA form.

5. Warranty Void and Additional Rights

The Service Provider which facilitated the return of the Product(s) or Accessories will be provided with written or electronic notice no later than ninety (90) days after receipt of the returned Product(s) or Accessories that a charge will be applied for the replacement cost of the Product(s) or Accessories if the unit is subsequently found to have the warranty voided. Please note that acceptance of the replacement Product(s) or Accessories is an indication of acceptance of this policy. Reference the *Iridium Pilot Products Terms and Conditions*, Section 2, Exclusions for conditions that would void the limited warranty.

If you acquired this Product and Accessories in Australia or in New Zealand, the Product and Accessories come with guarantees that cannot be excluded under the Australian Consumer Law or similar legislation in New Zealand. Reference the *Iridium Pilot Products Terms and Conditions*, Section 1.

6. Administration

The Iridium Pilot Product Warranty Policy is administered by your Service Provider and/or Iridium.

Any warranty inquiries should be faxed or emailed to your Iridium Service Provider or your Point-of-Sale as described above. To identify a Service Provider in your area, please contact Iridium.

Iridium Contact Information

Iridium Satellite LLC
Attn: Iridium Warranty Administration

By Telephone Customer Service:

If in North America, Toll Free Number from a Land Line:
+1-866-947-4348

Otherwise or if Outside North America:
+1-480-752-5155

Facsimile:

+1.480.752.1105 facsimile

By email:

warranty@iridium.com
info@iridium.com

By Mail:

Iridium Satellite LLC
Attention: Customer Service, Warranty Claims
8440 South River Parkway
Tempe, AZ 85284 USA

This policy is subject to change by Iridium without notice.

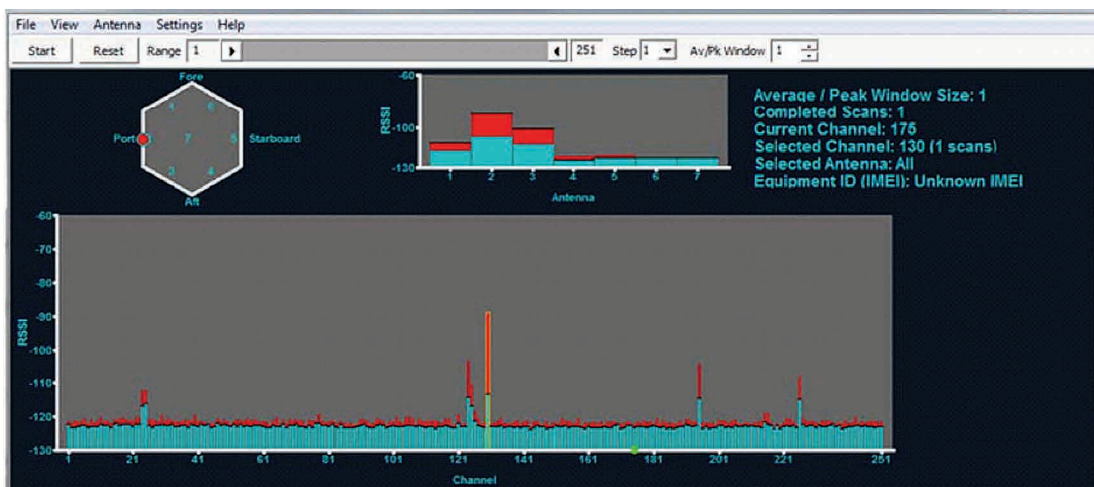
Appendix H – Site Survey Tool (SST)

The Site Survey Tool will display three graphs:

- The **main scan graph** (large rectangle in the lower half of the display) indicates the activity of each frequency channel in three ways. The bar in light blue is the mean energy of all 7 antennae and may have multiple scans of data averaged together. The red bar indicates the peak energy discovered at any one of the 7 antennae and could represent the peak of the current scan or previous scan depending on the “window size selected (the default is 10). Lastly there is a black bar that indicates the red peak is historical or recently active. Normally the “Mean” RSSI (receive signal strength indication) will be -123 dBm across the channel band.
- The smaller rectangular **antenna display** in the upper center of the GUI shows the activity on each of the 7 antennae for a single channel. The channel of interest is highlighted by mousing over the channel of interest on the main display and left clicking to select the channel. A yellow highlight box is drawn around the channel of interest and the text in the upper right of the screen will display “Selected Channel: XXX (NN Scans)” If the user has selected more than 1 scan and the application has had enough time to collect more than one scan, then the display will indicate the following: Light blue shows the “mean” RSSI value for each antenna over the completed number of scans; the red show the peak value obtained over the specified number of scans; and finally the black bar shows the value of the current scan.
- The hexagonal **direction display** in the upper left corner of the GUI displays a top view of the ADE antenna array. The ground lug on the ADE aligns with the aft direction of the install. When a channel is selected in the main display the red and blue spots provide an approximate direction back to the source of the detected signal. This direction plot is based on a calculation of relative signal strengths of the 7 antennas.

In Figure 33 a single scan has completed in a nearly noise free environment. Channel 130 has been selected in the main display and both the “Mean” and “peak” maxima are seen on antenna 2 with slightly lesser amounts detected on antennas 1 and 3 while all the other antennae stay near the -123 dBm noise floor of the receiver. The direction display shows the probable direction of the detected signal. Since the display shows only a few discrete active channels, the signals are known to be in-band and are most likely real Iridium down links.

Figure 33.



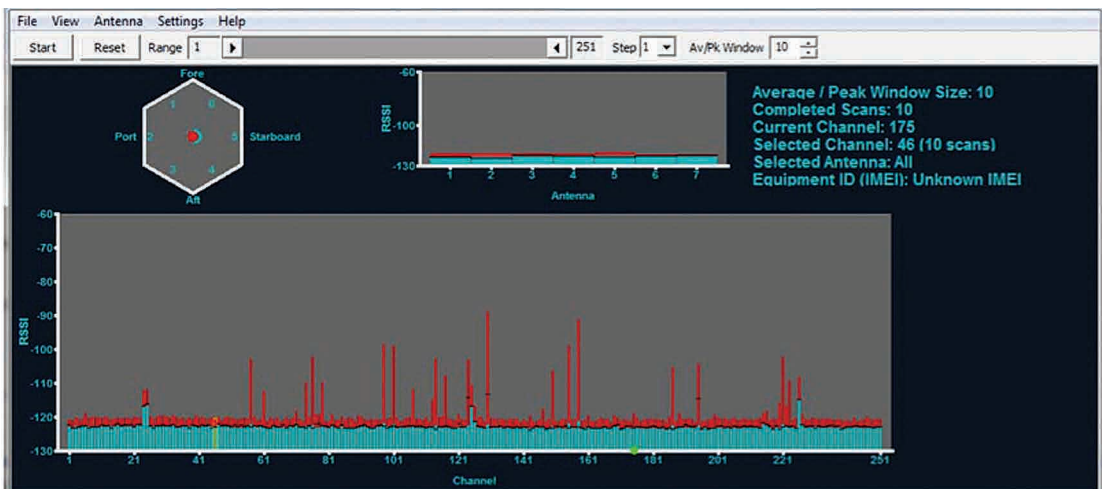
Reading the SST Graphs

The SST output can tell the installer much about the potential RF environment of the ADE's location during the test. It should also be noted that two or three scans will add to the knowledge about the RF environment for slowly changing emissions. Interferers are classified as "in-band" and "out-of-band" and the signature can be quite different.

1. "In-band" interferers may occupy a single channel or several channels clustered together. Since the frequency band is regulated and only approved for Iridium, in-band interference is frequently a result of inter-modulation distortion (IMD). IMD is caused by two or more interfering signals that combine or "mix" in the ADE receiver. An example of this would be a transmitter at 1000 MHz combining with a 621 MHz to form a product frequency at 1621 MHz at the center of the Iridium band. IMD can also be a subtraction of two signals like 1721 MHz minus 100 MHz to achieve 1621 MHz. Other in-band sources can be unintended emissions from equipment like computers or digital electronics with fast switching speeds. The last potential for in-band emission is from harmonics of a device transmitting at $\frac{1}{2}$ the Iridium band, 805 to 816 MHz, or some other frequency that is an integer multiple of the 1616 to 1625.5 MHz band. An example of in-band noise can be seen in Figure 34. It is caused by the harmonic or the ADE's internal analog to digital conversion frequency and appears as slightly elevated "mean" frequencies at channels 24/25, 125 and 226

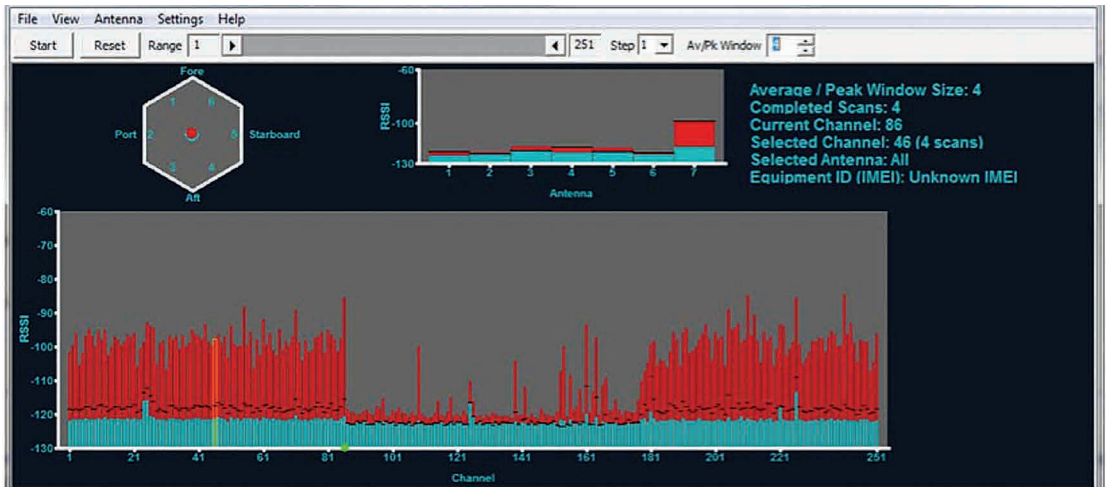
This becomes apparent in Figure 34 given that frequencies mentioned above have an elevated "mean" that has lasted for a significant portion of the 10 scans. In this case you can expect to see this "self-noise" in all installations and it does not detract from normal operation.

Figure 34.



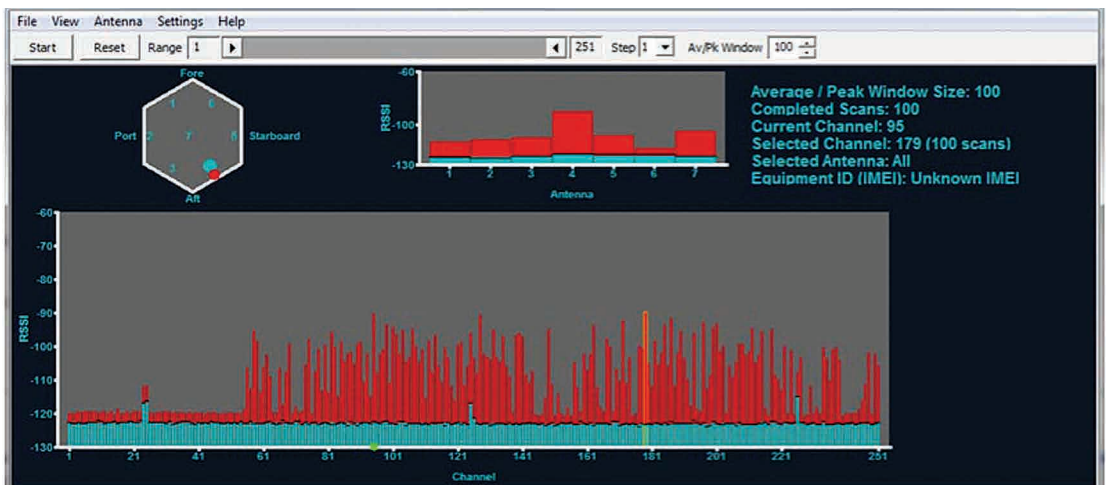
2. "Out-of-band" emissions will typically be a single emission close to the iridium band. They are characterized as a broad-band noise that raises the "noise floor" of the receiver. Typically the noise floor should be below -120 dBm. Figure 34 shows noise that was produced by placing a laptop computer directly on top of the ADE. The antenna display shows a red peak on the vertical antenna number 7 where the noise floor was raised.
3. In Figure 35, the center section of the lower scan was not affected because the computer was not present during the time these channels were scanned.

Figure 35.



4. Figure 35 indicates a very good installation with a minimal noise environment. 100 scans were collected (2.7 hours of data) and a few interesting observations can be made.
 - a. First there are three evenly spaced “blue” peaks at the aforementioned channels 24/25, 125 and 226. As noted above these happen to be “self noise” caused by the harmonic of an internal clock and are expected to be present on all installations, but they are a good example of how CW or continuous wave interference will appear on a multiple scan plot.
 - b. Second, during this nearly three hour scan, no dynamic activity was seen in the lower portion of the Iridium band. This lower portion of the Iridium band is shared spectrum that we avoid using during normal operation. There are times during natural disasters when the lower portion of the band is active, however, so your plot may differ. *Dynamic activity is defined as a red peak in excess of -115 dBm while the mean value remains close to the -123 dBm receiver noise floor on a multi scan plot.*
 - c. Finally, as seen in Figure 36, channel 60 through 251 show a lot of dynamic activity with the peak indication showing considerably large signals while the mean values hover near -123 dBm. This display is just showing a 2.7 hour history of active channels the ADE could see and could have used.

Figure 36.



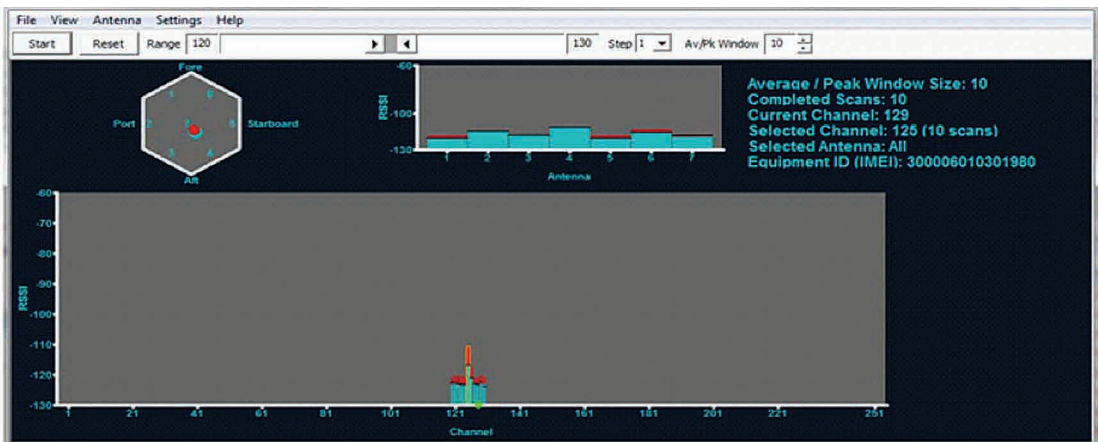
If RADAR presents a problem for Iridium Pilot it will most likely be an out of band type interference. Given the RADAR antenna spends most of the time facing away from the ADE the noise floor may display a cyclic pattern of raised and normal amplitude causing something like every third channel to be elevated. Since the scan rate of the SST and the sweep rate of the RADAR are not synchronous the affected channels may “walk” across the display from sweep to sweep causing the noise floor of a long duration scan (> 10 scans) to elevate nearly uniformly.

Peak values of normal Iridium signals are typically -90dBm or below. Peaks in excess of -85 dBm should be suspected as terrestrial interferers and be tracked down.

At the conclusion of the survey the user should stop the tool and then select the file menu button and save the file using the default naming convention which contains the IMEI of the unit under test along with a time date stamp. The data is stored as a comma separated value (CSV) and can be sent to a tier 2 or tier 3 organization for further assistance in analysis. *Tier 1 is end user support from the (SP) service provider. Tier 2 is SP support from Iridium. Tier 3 is engineering support to Tier 2.*

The tool has additional configuration parameters to allow the user to scan smaller portions of the band using the slider just below the command bar. This can be useful in focusing the display on say 10 channels of interest around a suspected interferer and collecting multiple short scans in 1/25th the time of a full scan as shown in Figure 37.

Figure 37.



Examples of “Bad” Site Survey Plots

The following three examples simulate interference of the ADE receiver and are examples of bad installation locations. Figure 38 shows interference from a high power HF radio near the ADE. The transmitter was keyed for part of a 90 second scan (starting at ch 177 and ending on the subsequent scan at ch 88) and shows the current mean noise floor rising above the -120 dBm limit across the band (broadband noise). Additionally antenna 7 can be seen to 20 to 30 dB of excess noise meaning high elevation passes would be blocked.

Figure 38.

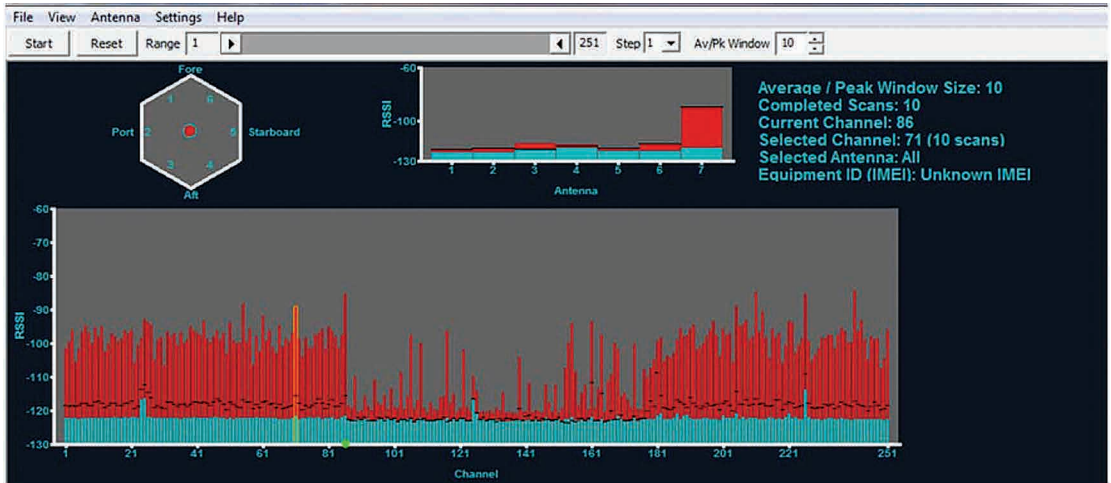


Figure 39 shows noise from a nearby personal computer. This signature is typical with a pyramid type response peaking at channel 100 and the overall noise floor elevated above -120 dBm.

Figure 39.

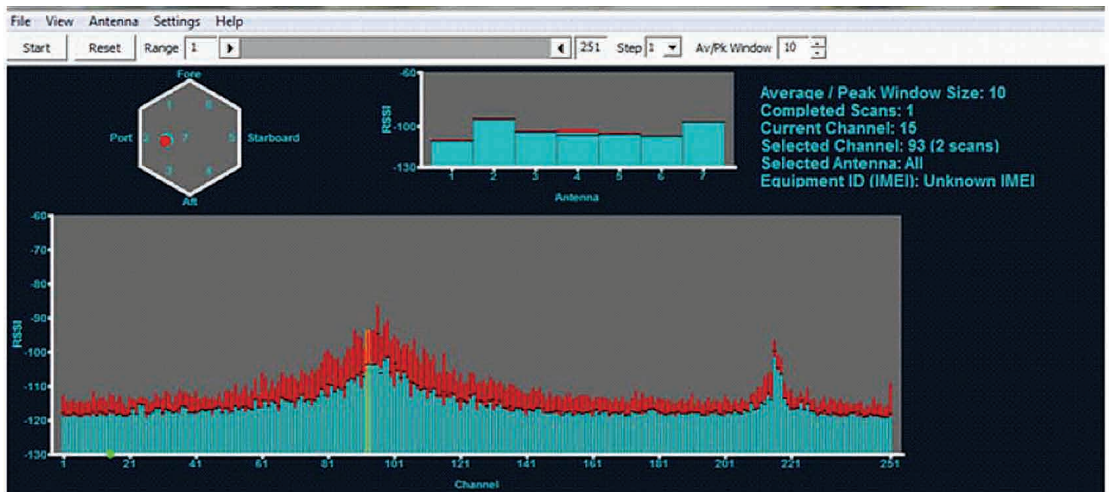
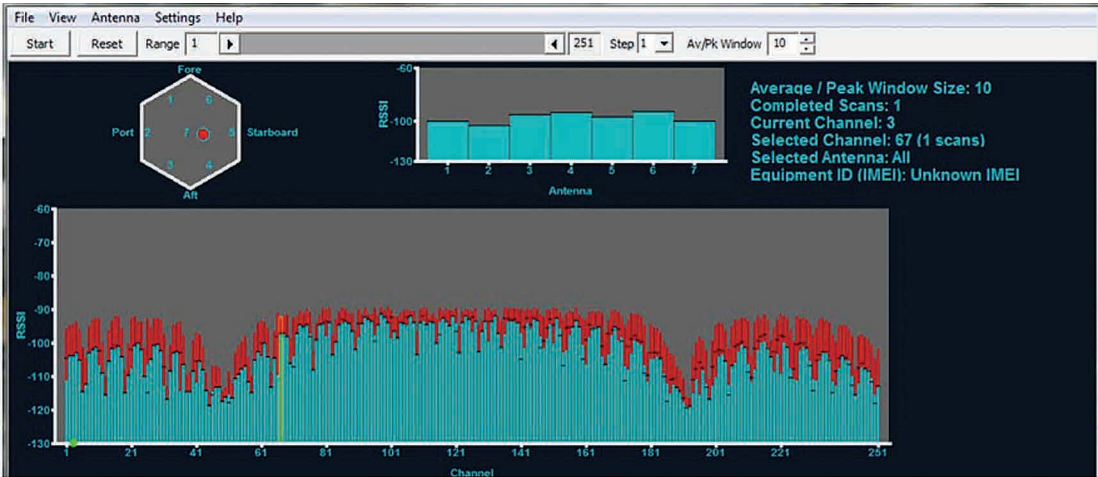


Figure 40 simulates how RADAR might appear on a site survey. A definite periodic structure can be seen with peaks and valley repeating every 10 channels (or about every 3.5 seconds since the channels are sampled once every 0.35 seconds) this repetition is most likely the RADAR antenna rotation rate and will change as the radar sweep changes. The larger two valleys located at channels 50 and 190 are more a function of the RADAR PRF (pulse repetition frequency) and pulse width. Actual RADAR interference may look quite different from this example but the elevated noise floor will cause the ADE to function poorly or not at all. Switching the suspected RADAR to “standby” will return the noise floor to below -120 dBm if this is the actual cause of the interference.

By collecting plots from several potential sites the installer can choose the location that presents the least amount of interference and will provide normal Iridium service to the end user.

Figure 40.



Additional information about the Site Survey Tool

- As long as the tool remains running data is collected regardless of the average/peak Window size.
- The user can select to sample every channel, every other channel, every 5th channel, or every 10th channel using the "Step" pull down on the control bar. This feature may be useful in tracking down broad band interferers by spot scanning across the entire frequency range and completing scans more quickly.
- By adjusting the "Av/Pk Window" the user is selecting the last "n" scans to be included in the averaging and peak selection. Note that the completed scans may be less than the window size meaning the average is performed on the lesser of these two values.
- The SST is not optimized to find Iridium Satellite downlinks but rather is designed to detect terrestrial interferers.