

TracVision HD7 Dual Antenna Satellite Switching Enhanced With the Addition of the CNSat Smart Antenna Selector

When faced with the challenge of finding a completely blockage-free and interference-free site for installing the TracVision antenna, installing two antennas in different locations onboard is the ideal solution. Not only does this solution provide continuous satellite TV reception, it provides visual symmetry among the myriad of other electronic equipment and structures onboard a vessel.

Achieve greater convenience by also adding the CNSat Smart Antenna Selector to a TracVision HD7 dual antenna installation. The Smart Antenna Selector allows you to manually switch between the two antenna units with a simple push of a button, virtually eliminating the compromise of losing satellite TV reception from blockage or interference when cruising on a particular heading or operating a particular radio.



Installation and Setup

To install the Smart Antenna Selector, connect the DIRECTV® PI-6S Power Inserters and the CNSat Smart Antenna Selector between the antennas and SWM8 or SWM16 module (see *Figure 1 on the next page for the wiring diagram*).

Note: For additional Smart Antenna Selector configuration information and product documentation, contact CNSat at www.cnsat.com/sas/.

Once you have installed all of the components, configure the Smart Satellite Selector and the HD7 Antenna Control Units (ACUs) so that they can communicate over the network:

1. Configure each HD7 ACU with a fixed IP address that is on the same subnet as the Smart Antenna Selector, and configure both antennas to track the same satellite. Refer to the *TracVision HD7 Installation Guide* for instructions on how to configure IP addresses and select satellites on the ACUs.
2. To allow the user to choose between Antenna A and Antenna B as the active unit, set the Smart Satellite Selector to “Smart” mode, and enter the corresponding HD7 ACU IP addresses into the Smart Antenna Selector configuration (see *Figure 2 for a screenshot of the configuration screen*).

Once configured, antenna selection can be controlled using either the Smart Satellite Selector computer interface or the front panel pushbuttons.

Figure 1: Wiring Diagram

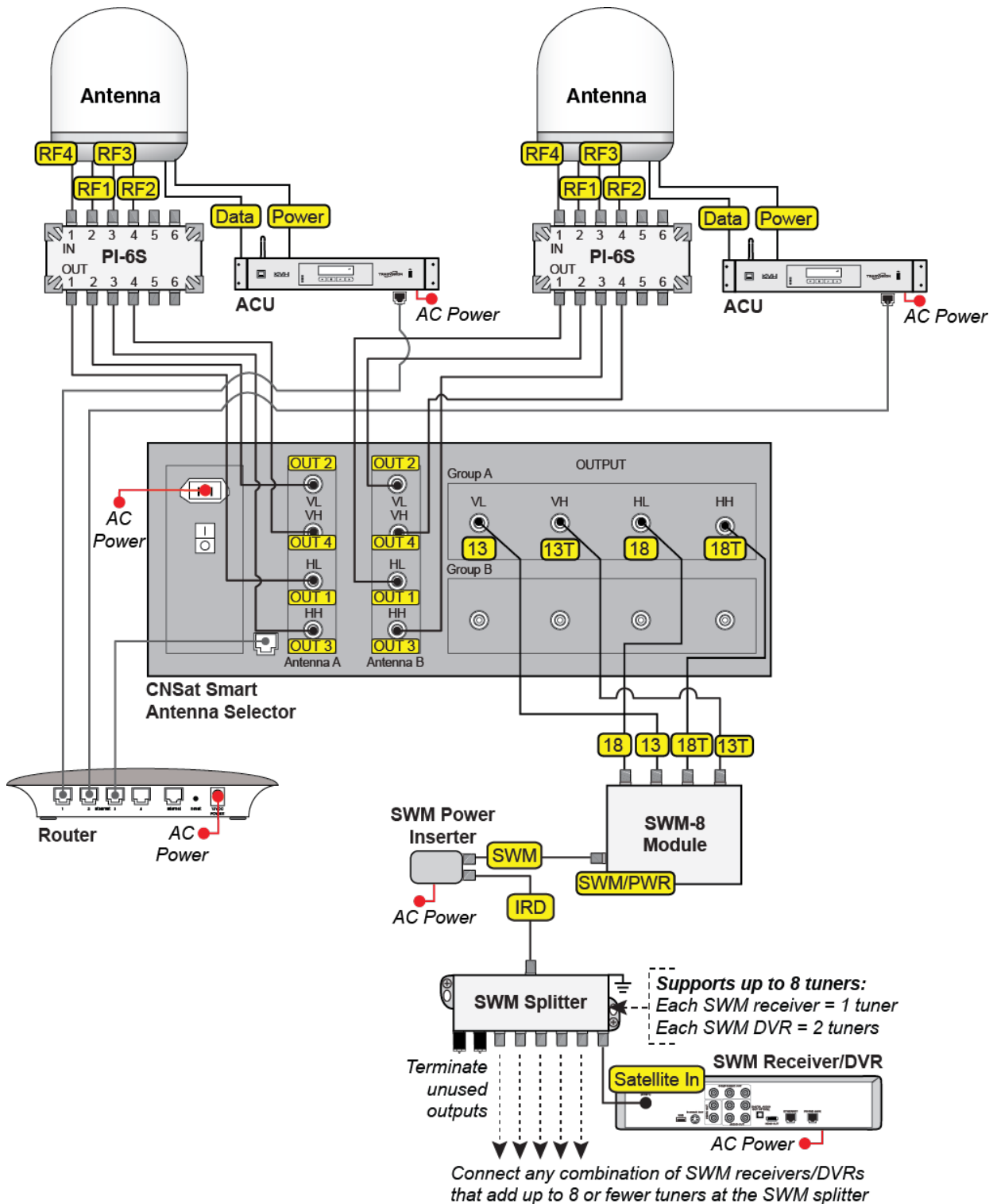
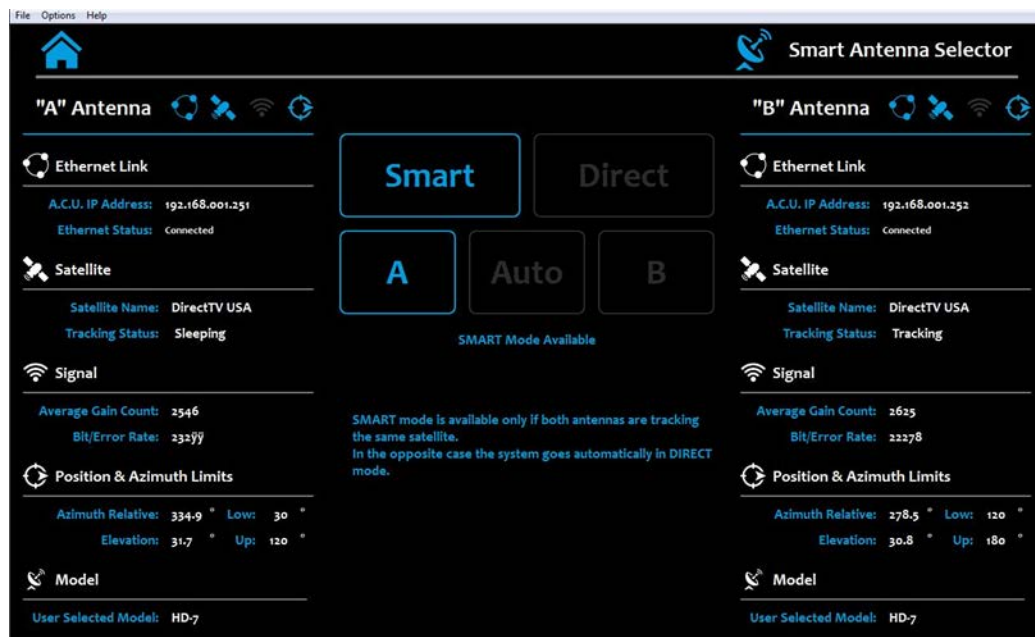


Figure 2: Smart Satellite Configuration Screen



Product Information

Product	Price	Contact Information
Smart Satellite Selector	\$5500 USD	orders@cnsat.com C.N.Sat srl Via Molo Giano snc 161 Genova, Italy
DIRECTV PI-6S Power Inserter	\$93.99 USD	Solid Signal www.solidsignal.com 1-877-312-4546

