

TracVision® Satellite Television Application Note



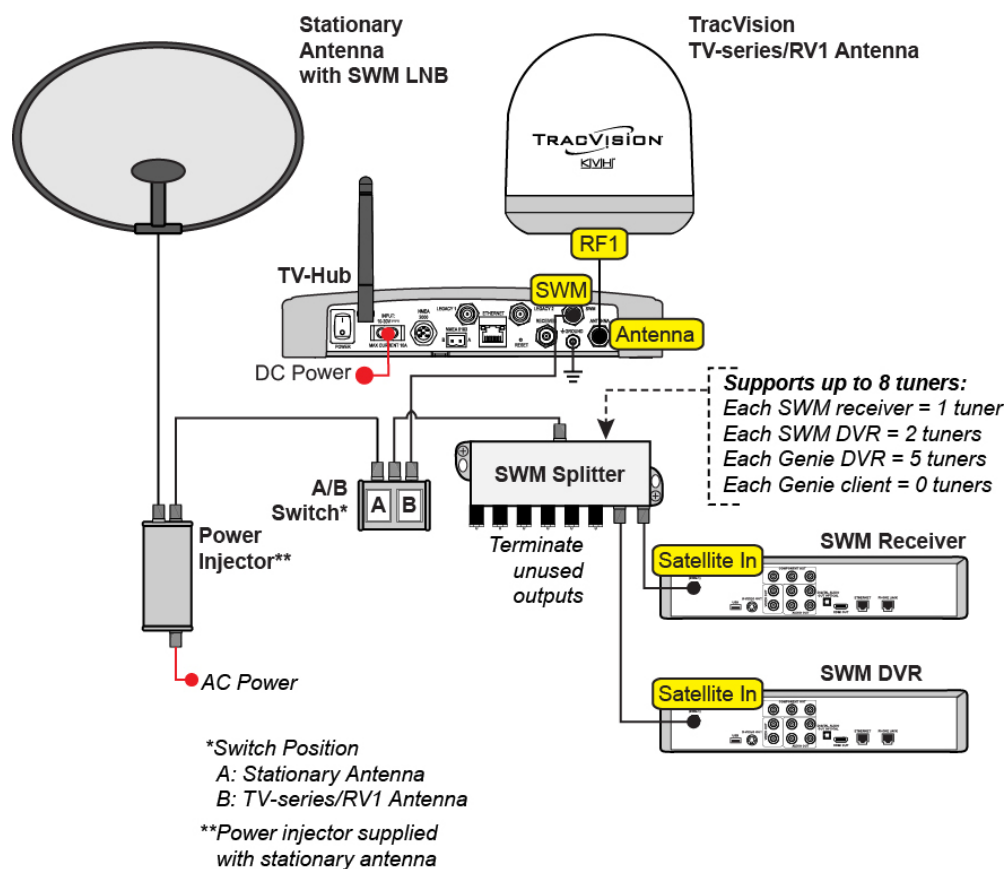
AppNote1501 Revised

March 27, 2015

TracVision TV-series/RV1 Wiring for DIRECTV® Dual Antenna A/B Switching

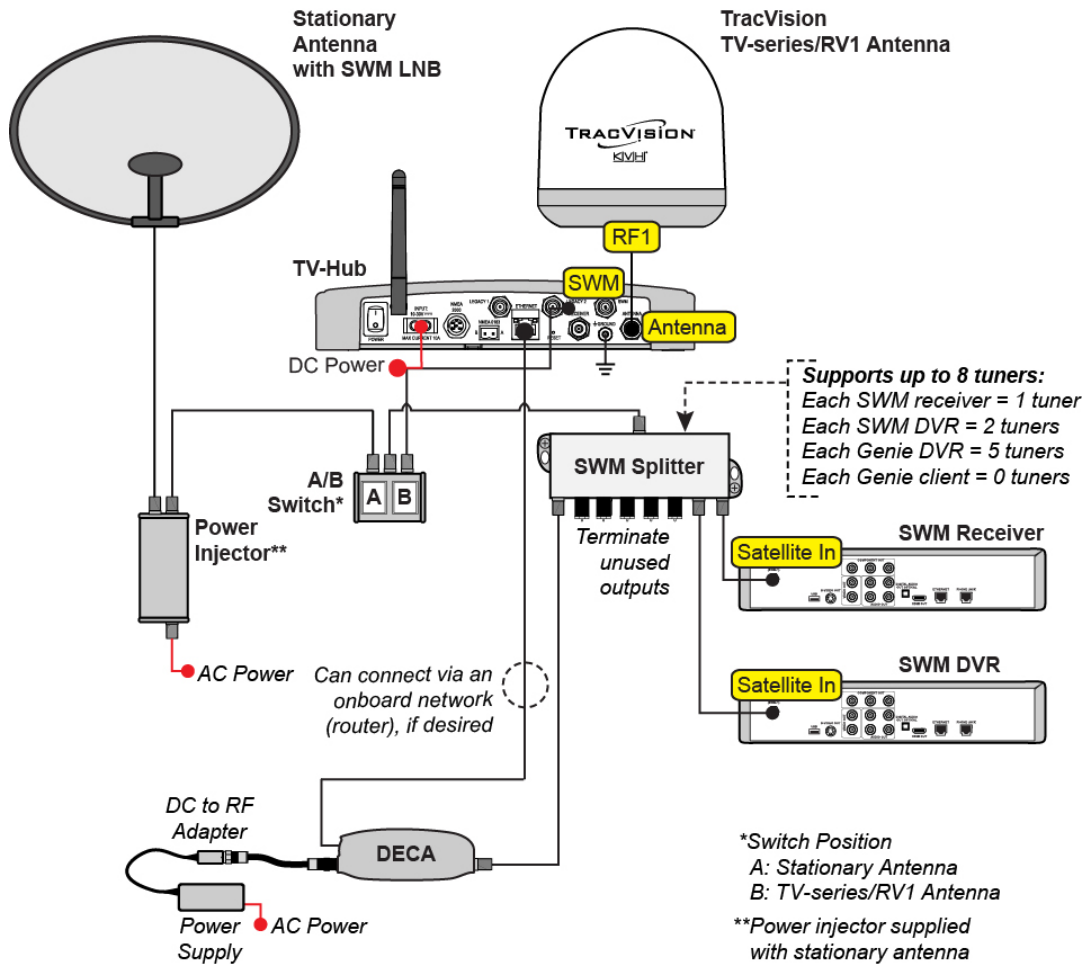
A TracVision TV-series or RV1 antenna system can be installed for in-motion reception alongside a third-party stationary antenna without disconnecting and reconnecting cables to and from the antennas. The wiring diagram below and on the proceeding page illustrate how both antennas can be wired so that you can easily select an antenna with an A/B switch, such as the Holland AB-90, or any A/B switch that meets or exceeds its specifications (details can be found at <http://www.hollandelectronics.com>).

Figure 1: A/B Switch Wiring Diagram



After setting the A/B switch to the desired antenna, power off all connected receivers and then turn them back on, so that they will receive data from that antenna.

Figure 2: A/B Switch Wiring Diagram (with Automatic Satellite Switching)



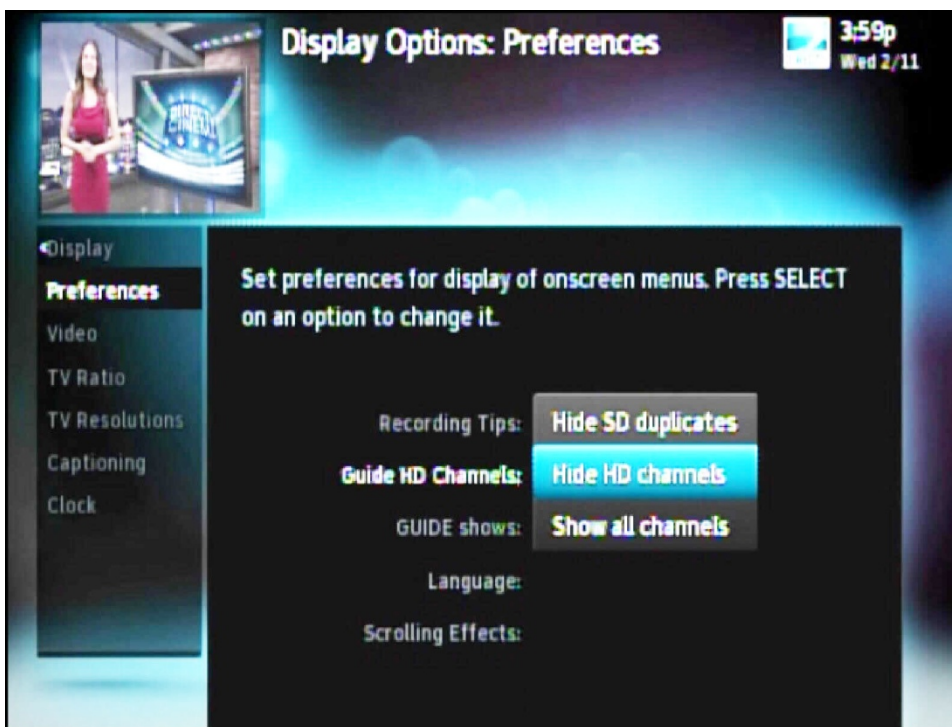
After setting the A/B switch to the desired antenna, power off all connected receivers and then turn them back on, so that they will receive data from that antenna.

(Optional) Hiding Unavailable Channels

A TracVision TV-series or RV1 antenna wired as shown in Figure 1 on page 1 will not be configured for automatic switching. Only standard-definition channels on the 101W satellite will be available through the TracVision antenna, but your receivers' Program Guide will display HD and other channels that are not available. If you would like to hide channels that are unavailable, follow the steps below:

1. Press **MENU** on the receiver's remote to access the onscreen menu.
2. Go to the **Display Options: Preferences** page (**Settings & Help > Settings > Display > Preferences**).
3. Set the **Guide HD Channels** option to **Hide HD channels**.

Figure 2: Hide HD Channels



To restore HD channels, reenter the **Preferences** menu and set the **Guide HD Channels** option to **Show all channels**.