

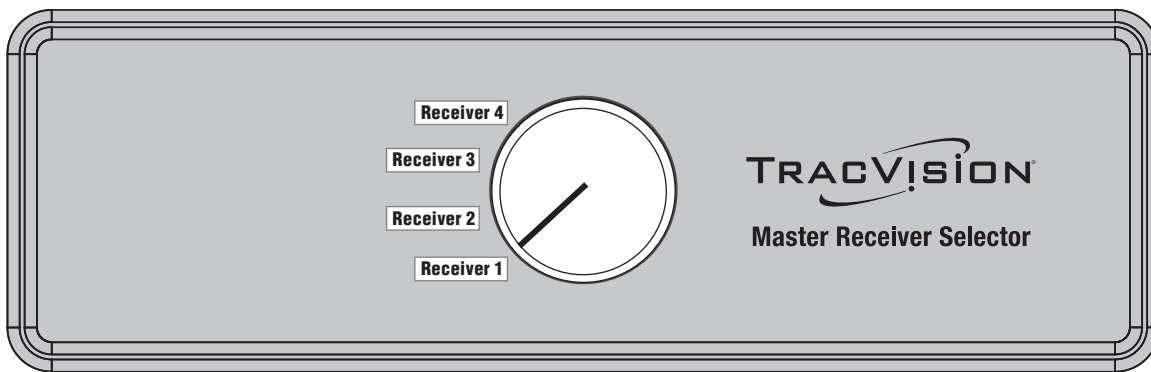
TracVision® Master Receiver Selector Quick Start Guide

The following instructions explain how to install and operate the Master Receiver Selector for use with TracVision systems.

Using the Master Receiver Selector

The KVH Master Receiver Selector makes it easy to change which receiver is the master. Simply turn the knob to select which receiver is in charge of satellite selection! You can connect up to four receivers, and quickly switch master control to any one of them. Using the master receiver, you can select among any of the channels carried by any of the satellites available to the system for your satellite TV service.

Tip for DISH Network® Subscribers: For your convenience, KVH provides a listing of DISH Network's HD programming and the satellite on which each channel is located. Visit www.kvh.com/dishhd.

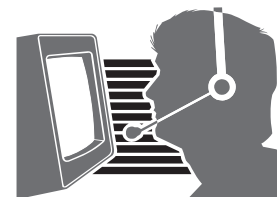


Technical Support

You can find a certified technician near you by visiting our website at www.kvh.com/wheretogetservice.

If you need help finding a certified technician, please contact KVH Technical Support:

Phone: +1 401 847-3327
E-mail: techs@kvh.com
(Mon.-Fri., 9 am-6 pm ET)
(Sat., 9 am-2 pm ET)



KVH, TracVision, and the unique light-colored dome with dark contrasting baseplate are registered trademarks of KVH Industries, Inc. All other trademarks are property of their respective companies. The information in this document is subject to change without notice.

No company shall be liable for errors contained herein. © 2009-2010 KVH Industries, Inc., All rights reserved.

Installation Instructions

IMPORTANT!

Unless the antenna is a TracVision M1DX/M3DX/R6DX, the Master Receiver Selector requires connections to the antenna’s RF1 and RF2 connectors. If both RF cables are not installed, you will need to connect a second cable to the antenna’s RF2 connector to complete the installation. Refer to the following instructions and wiring diagrams for complete details.

Step 1 - Connect Cables and Hardware



CAUTION

For your own safety, be sure to disconnect power from all wired components before performing this procedure.

Use the Wiring Diagram Reference at right to locate the wiring diagram for your TracVision system.

NOTE: If you are installing the Master Receiver Selector as part of a new TracVision installation, only wire receivers as specified in these instructions.

NOTE: If you need to configure DISH Network or Bell TV (ExpressVu) receivers for TracVision use, follow the instructions in the TracVision system’s Installation Guide. Simply use the Master Receiver Selector’s knob to select the receiver being configured.

NOTE: The maximum length of cabling between a receiver and the Master Receiver Selector should not exceed 100’.

Step 2 - Apply Custom Labels

A variety of labels are supplied for your convenience. Apply the custom labels into the insets on the front of the Master Receiver Selector that are appropriate for your installation.

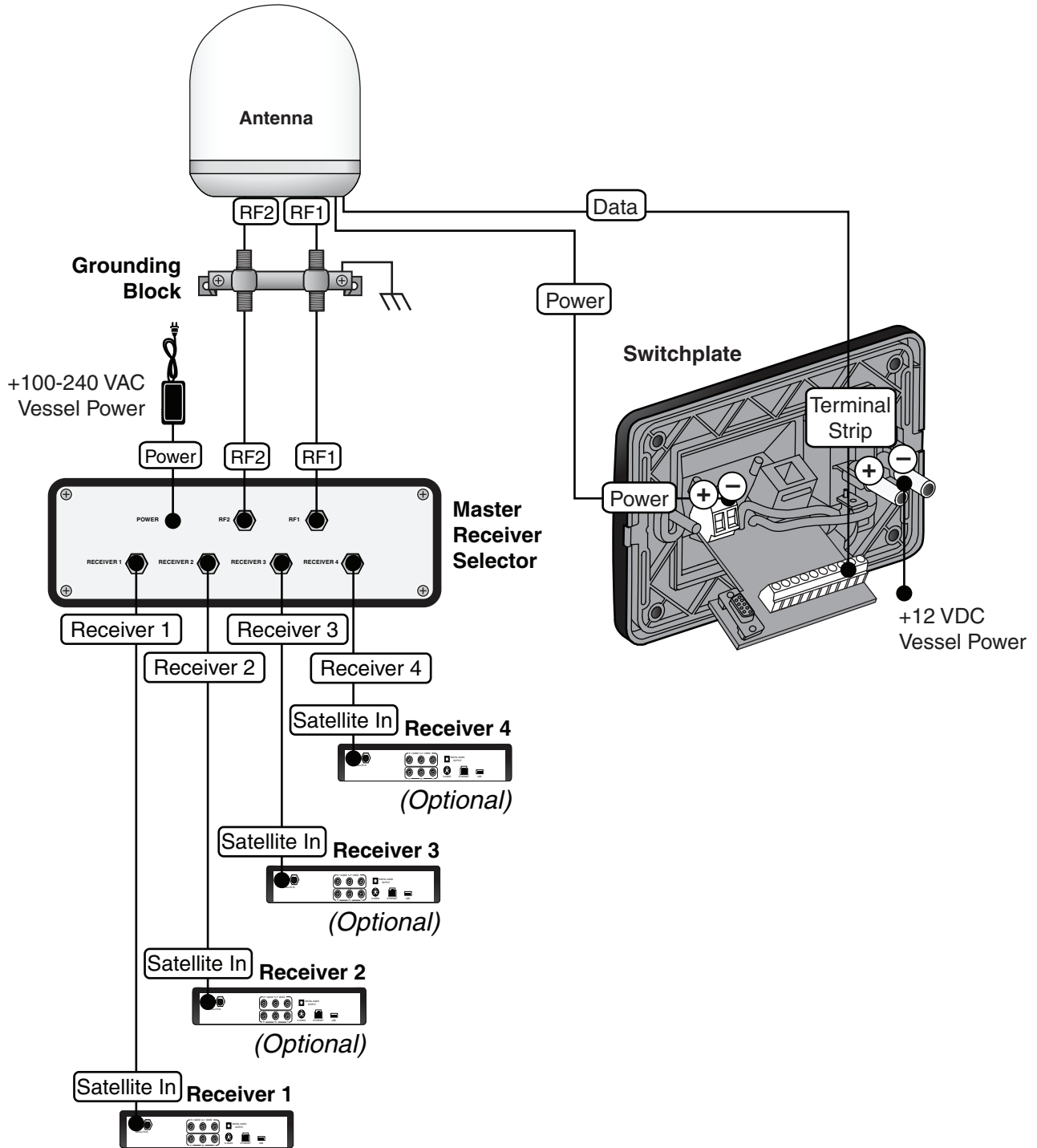
Wiring Diagram Reference

For TracVision System	Refer to
TracVision M5/M7 Switchplate Configuration	Page 3
TracVision M5/M7 Control Panel Configuration	Page 4
TracVision M5/M7 GyroTrac Configuration	Page 5
TracVision M9	Page 6
TracVision M1DX/M3DX/R6DX	Page 7
TracVision R5SL/R4SL/R5/R4/C3	Page 8
2 Master Receiver Selectors (6 master receivers)	Page 9
1 Master Receiver Selector and Multiswitch (2 master receivers, multiple slaves)	Page 10

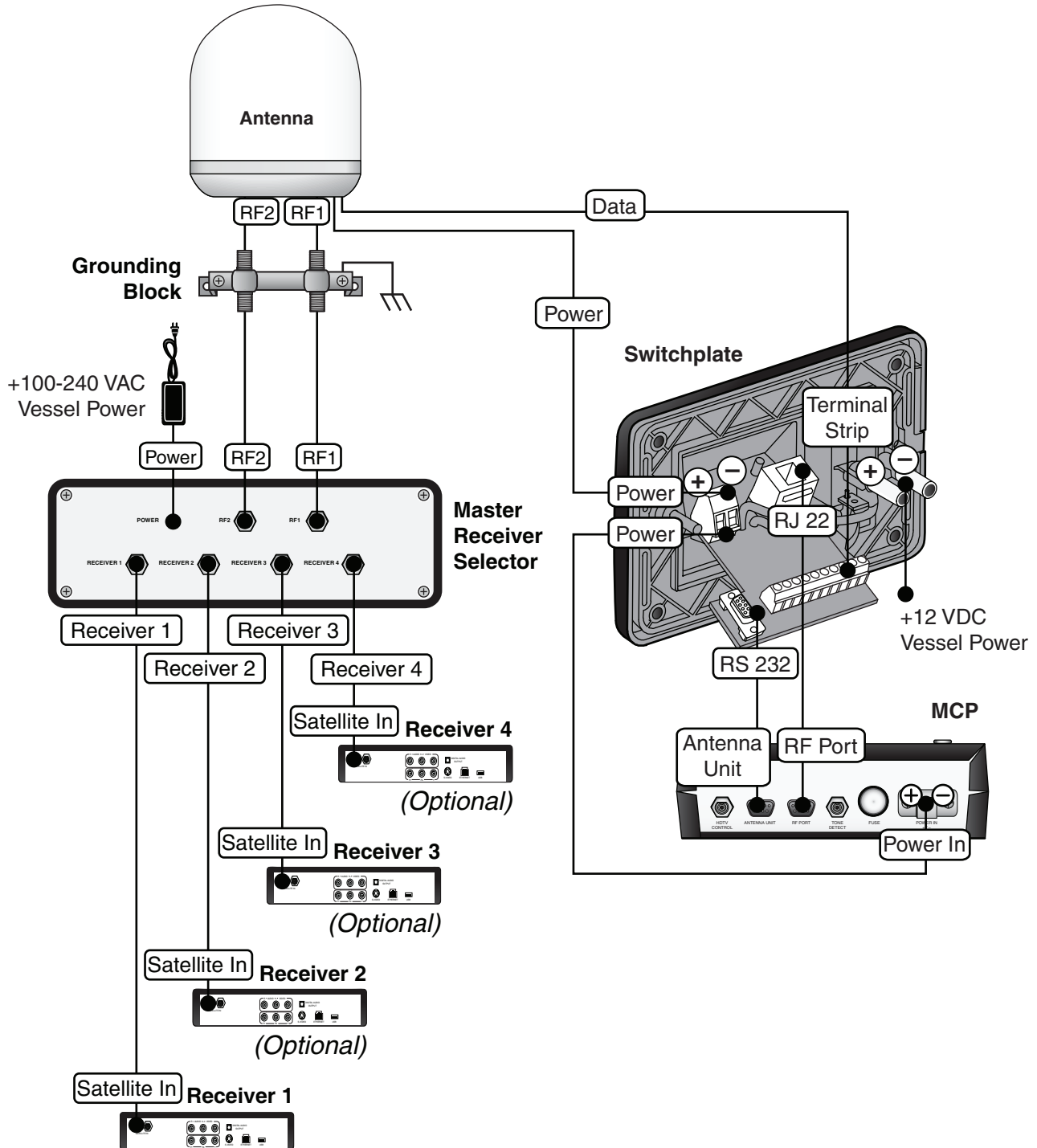
Custom Front Labels

Receiver 1	Master Stateroom
Receiver 2	Stateroom 2
Receiver 3	Stateroom 3
Receiver 4	Stateroom 4
Galley	Patio
Salon	Kitchen
Bridge	Master Bedroom
Crew Quarters	Guest Bedroom

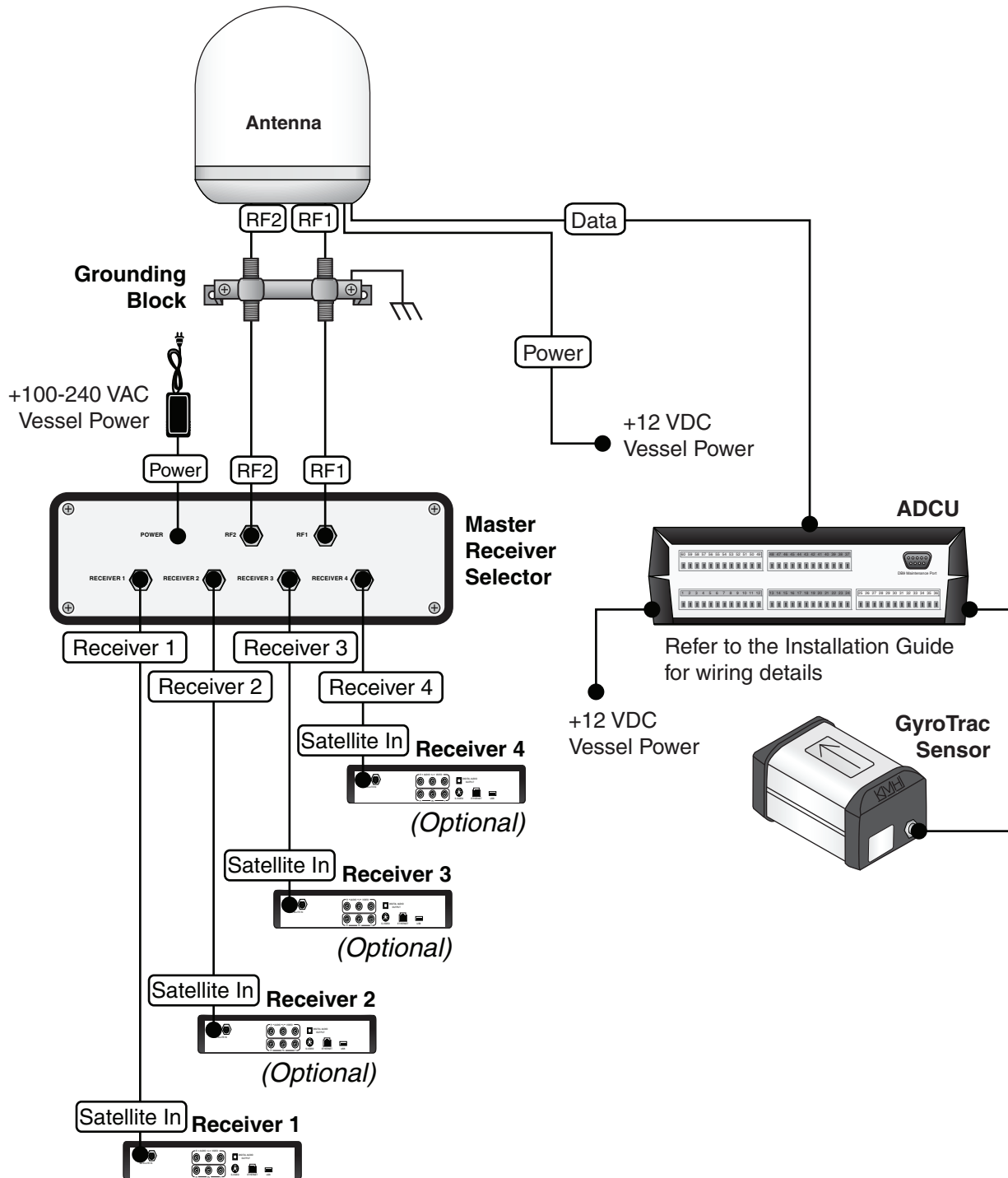
Wiring Diagram - TracVision M5/M7 Switchplate Configuration



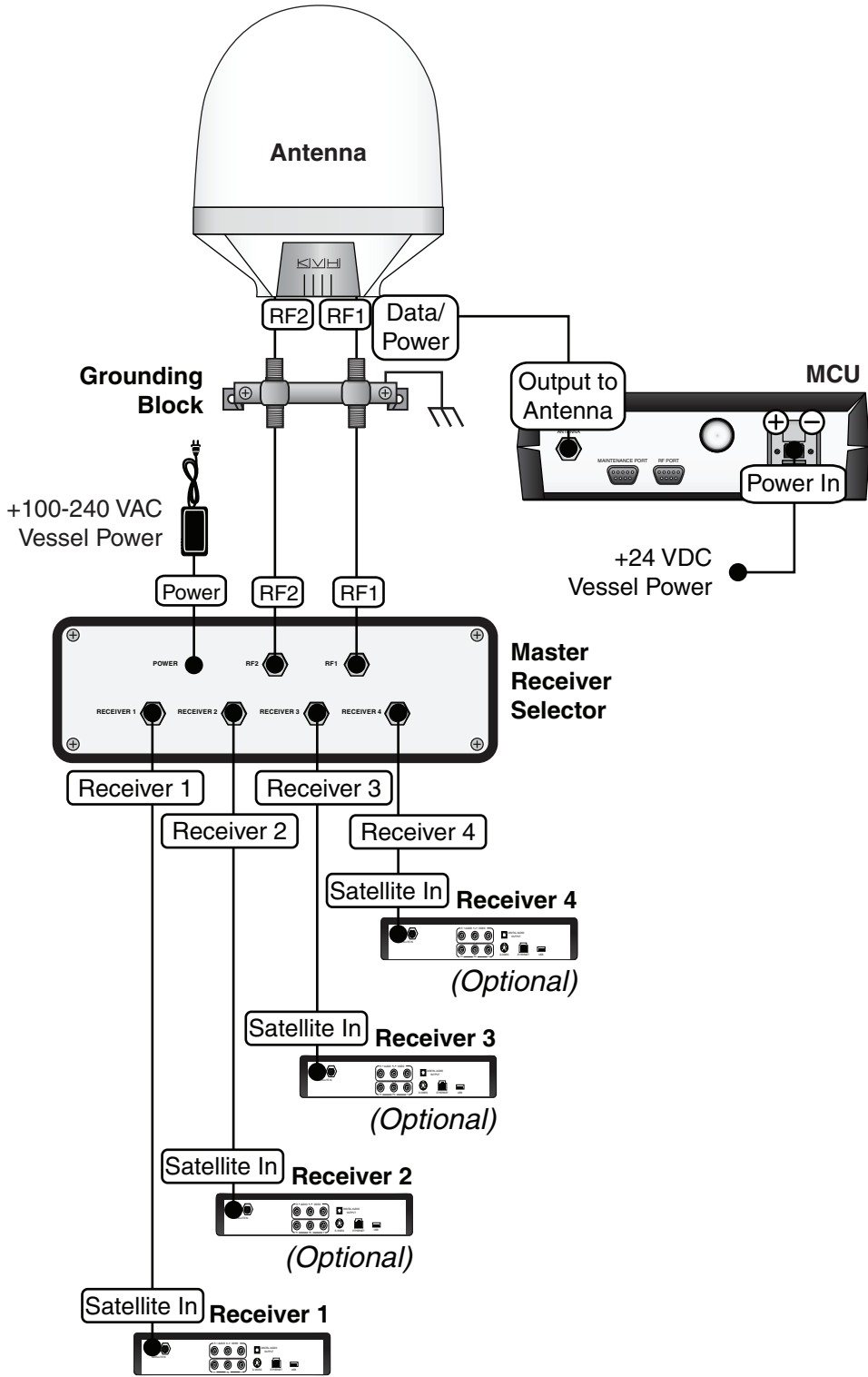
Wiring Diagram - TracVision M5/M7 Control Panel Configuration



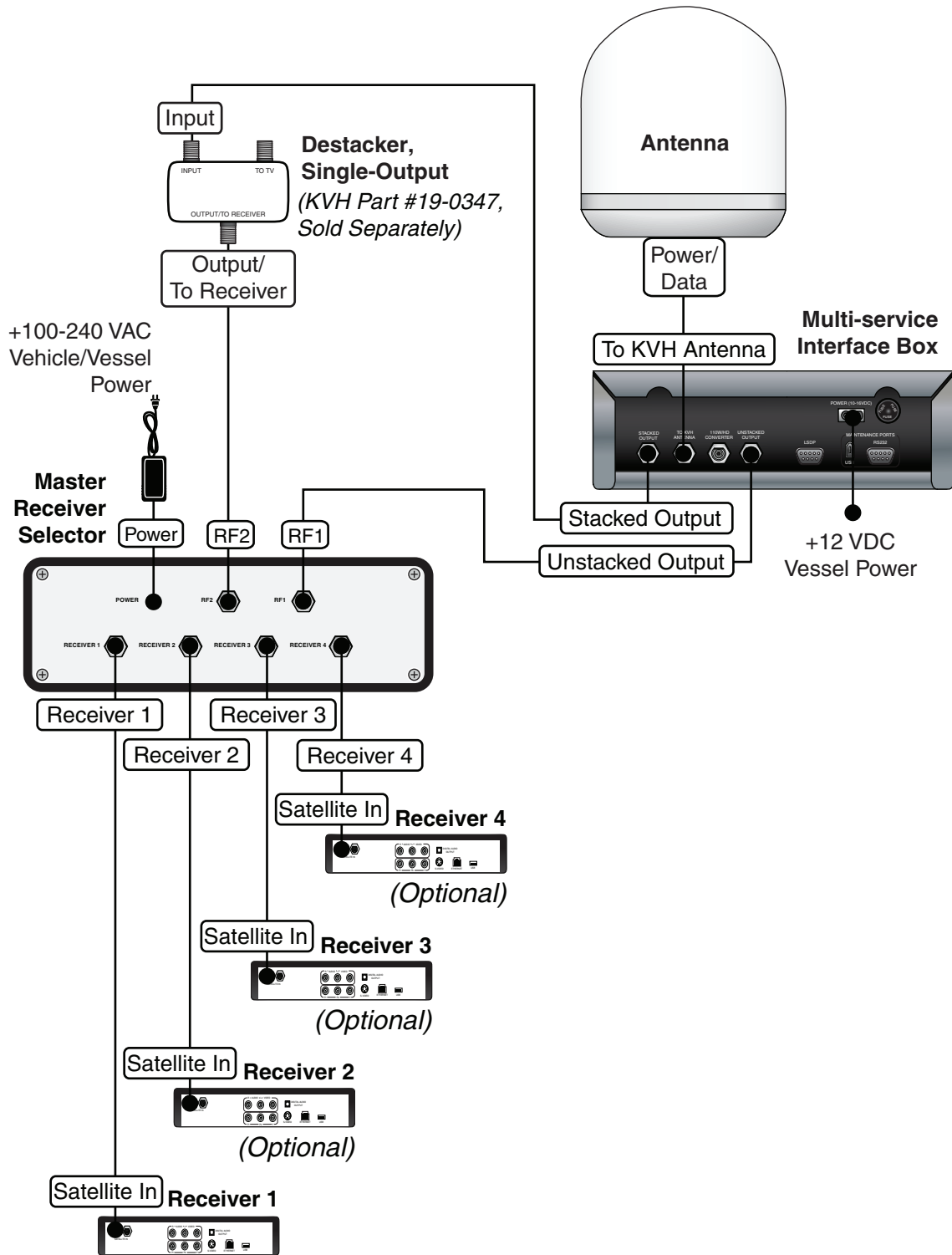
Wiring Diagram - TracVision M5/M7 GyroTrac Configuration



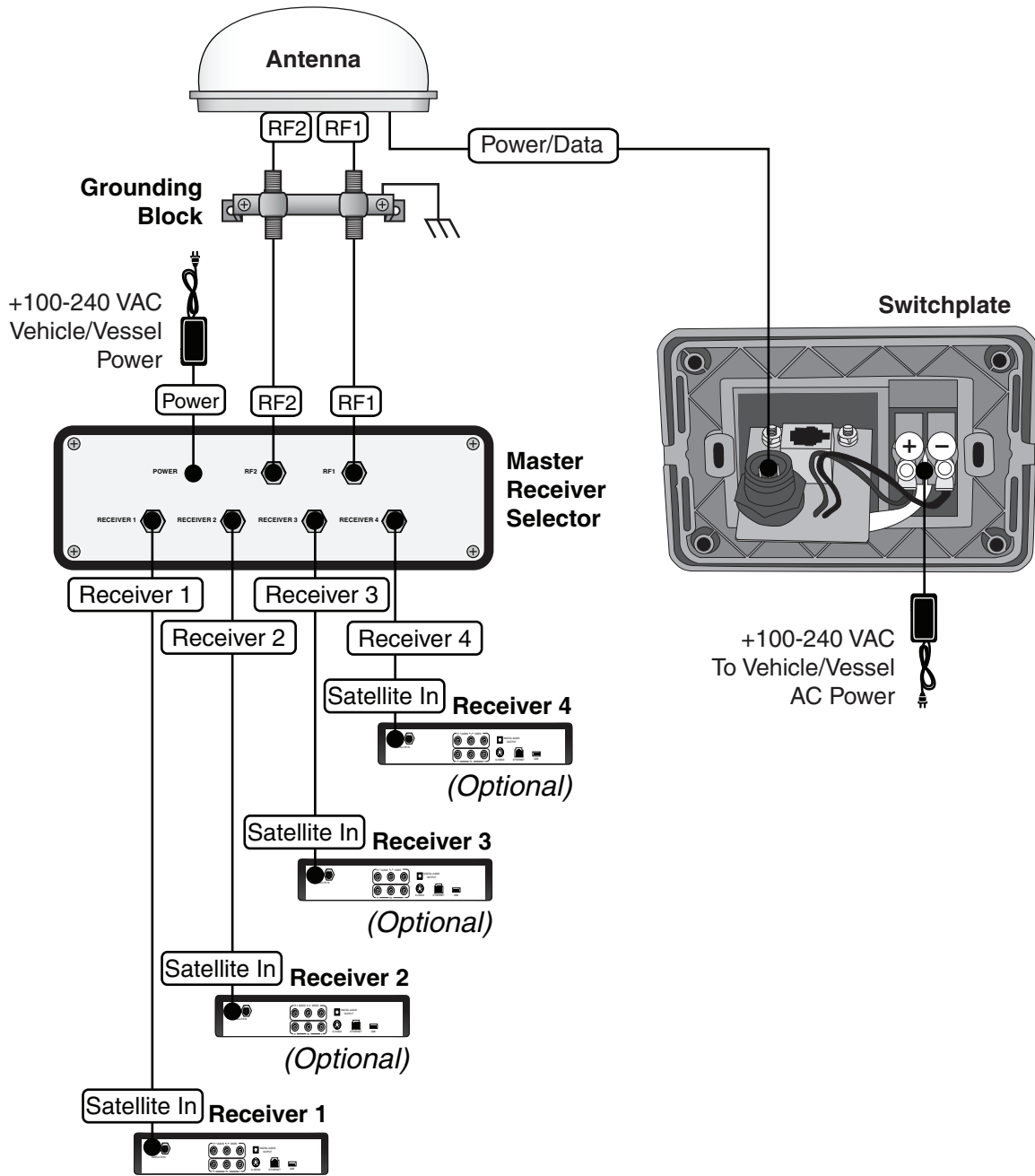
Wiring Diagram - TracVision M9



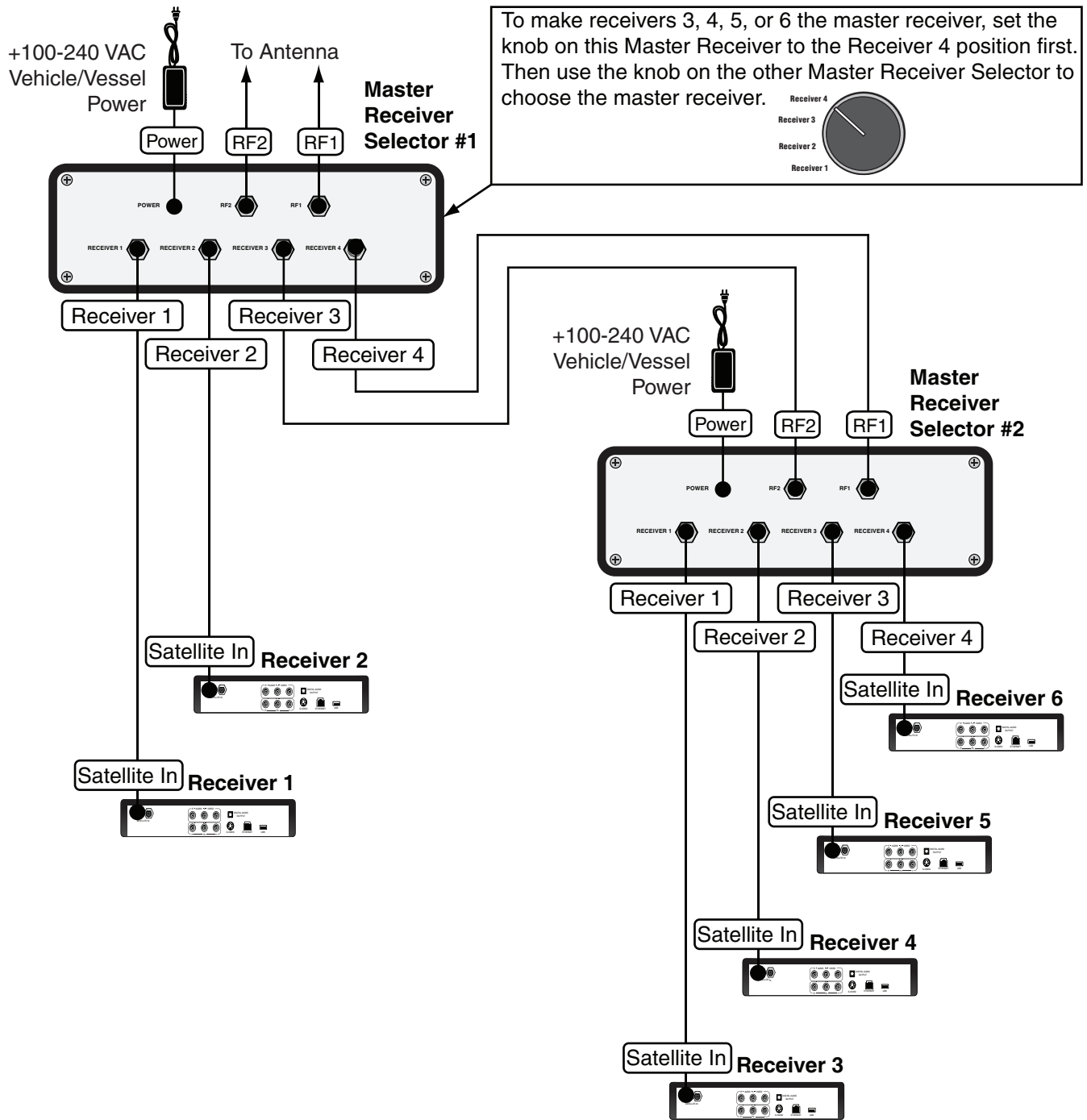
Wiring Diagram - TracVision M1DX/M3DX/R6DX



Wiring Diagram - R5SL/R4SL/R5/R4/C3



Wiring Diagram - 2 Master Receiver Selectors (6 Master Receivers)



Wiring Diagram - 1 Master Receiver Selector and Multiswitch (2 Master Receivers with Multiple Slaves)

