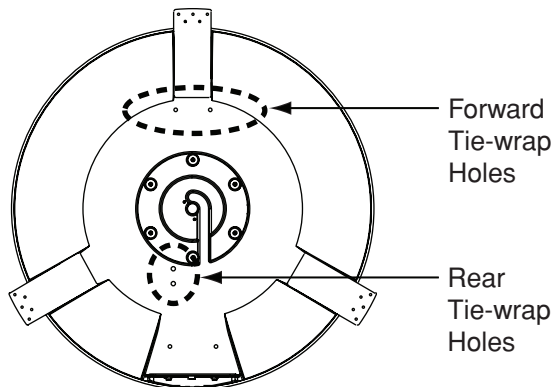


Antenna Reshipping Instructions for TracVision® R5/R4

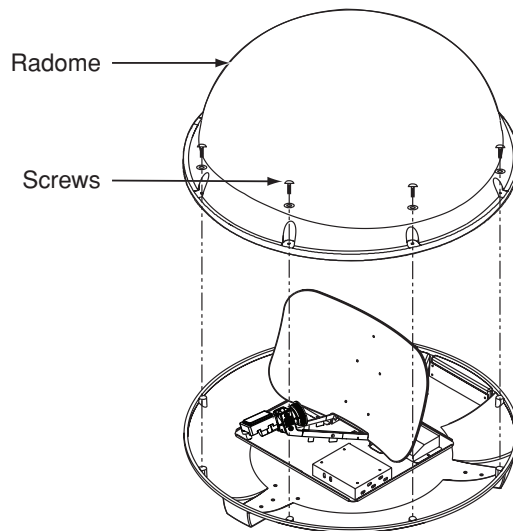
The following instructions explain how to repack the TracVision R5/R4 antenna unit for shipping. The shipping restraints (tie-wraps) removed during installation must be replaced during this process.

1. Remove the four plugs from the forward and rear tie-wrap holes on the bottom of the baseplate.



Antenna Baseplate (Bottom View)

2. Remove the eight screws securing the radome. Remove the radome and set it aside.



Radome Screws



IMPORTANT!

If you need to return the antenna to KVH, be sure to obtain an RMA number from KVH Technical Support and write the number clearly on the outside of the box. Shipments received without an RMA will be returned to you at your expense.



If you need technical assistance, please contact KVH Technical Support:

North America, South America, Australia:

Phone: +1 401 847-3327

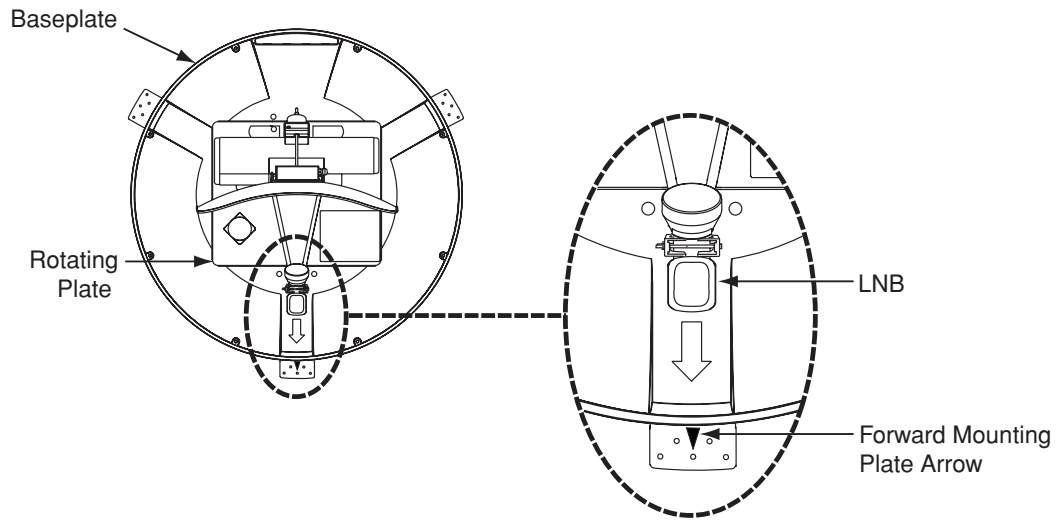
Email: techs@kvh.com

Europe, Middle East, Asia:

Phone: +45 45 160 180

Email: support@kvh.dk

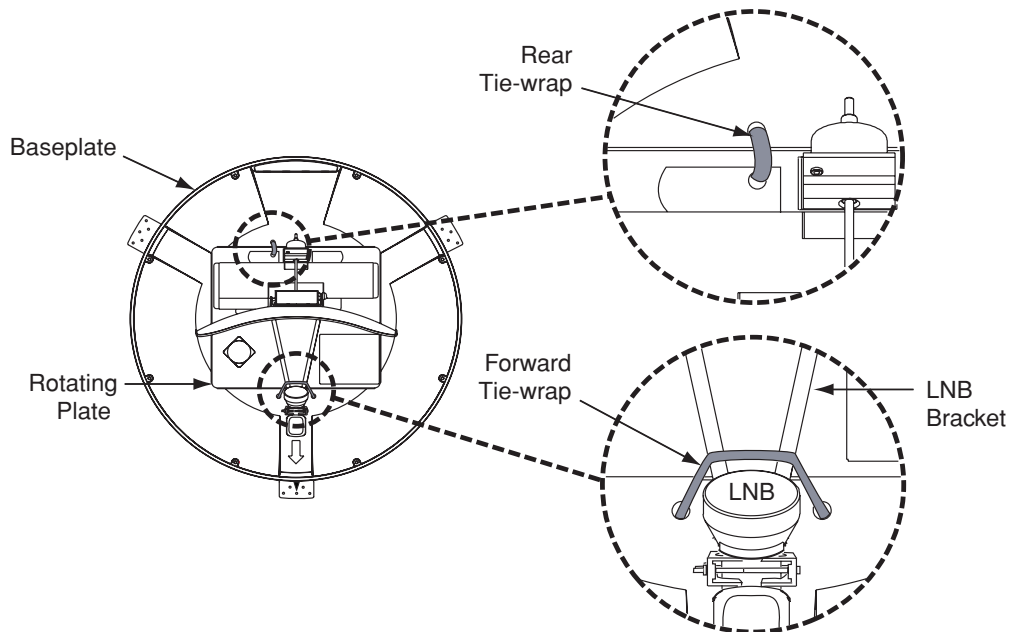
3. Gently rotate the rotating plate until the LNB is aligned with the forward mounting plate arrow.



Reshipping Orientation

When moving the rotating plate by hand, go slowly! Hitting the mechanical stops with excessive force will damage the antenna unit.

4. Thread one tie-wrap through the rear tie-wrap holes and through the rotating plate, as shown below. Fasten the tie-wrap, ensuring the rotating plate is secured to the baseplate.



Tie-wrap Locations

5. Thread a second tie-wrap through the forward tie-wrap holes and over the LNB bracket, as shown in the figure on page 2. Fasten the tie-wrap, ensuring the LNB bracket is secured to the baseplate. *Be sure to fasten the tie-wrap to the LNB bracket, and not the LNB itself.*
6. Reinstall the radome.
7. Place the entire antenna unit into its shipping box using the original packaging material. Secure the box to a pallet to ensure upright transport.

The repacking process is complete. The TracVision R5/R4 is now ready for reshipment.



Ensure that the tie-wrap is fastened to the LNB bracket, and not the LNB.



KVH is not liable for damage caused by improper shipping.