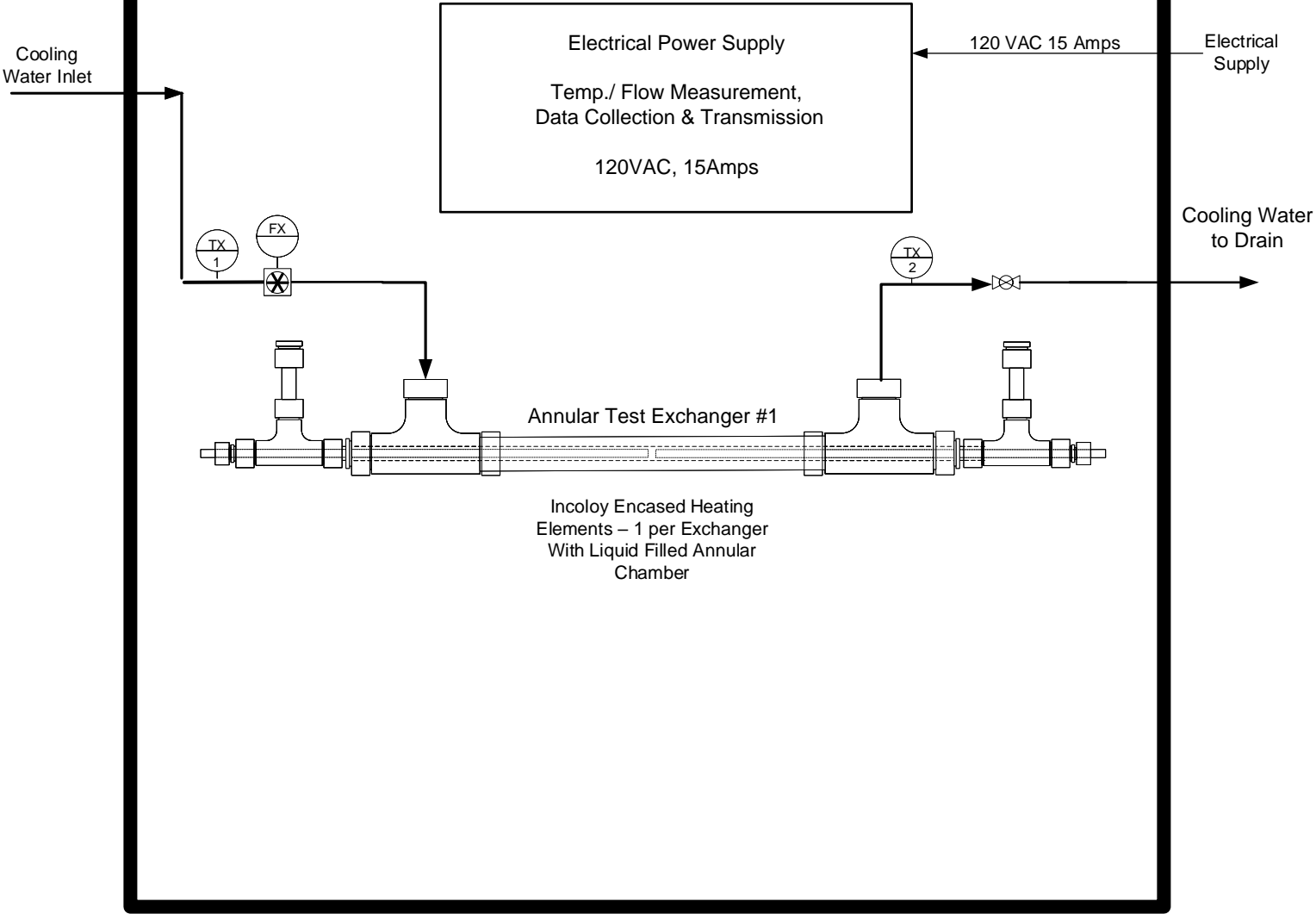


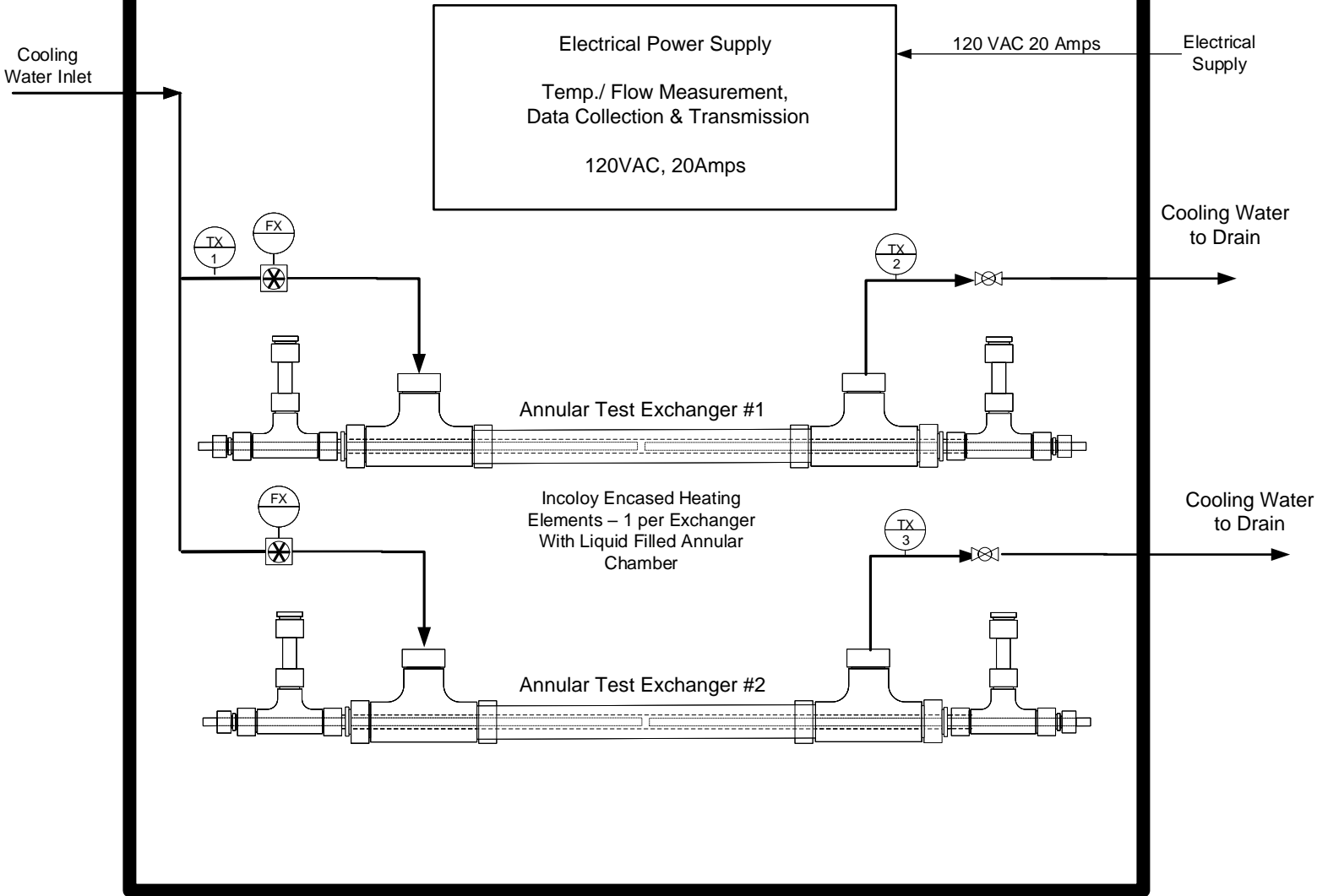
Sentinel For Cooling Water (Model C-1)



SYMBOL LEGEND	
Ball Valve	
Paddle Wheel Flow Meter	
Flow Transmitter	FX
Temperature Transmitter	TX

Knew Value LLC 29561 Lazy Pine Huffman, TX	120V Annular Test Heat Exchanger Skid		
	Sentinel Model C-1 P & ID 120V Annular Test Heat Exchanger Skid		
DATE	SIZE	FSCM NO	DWG NO
9/13/2018			
	SCALE	None	SHEET
			1 OF 1

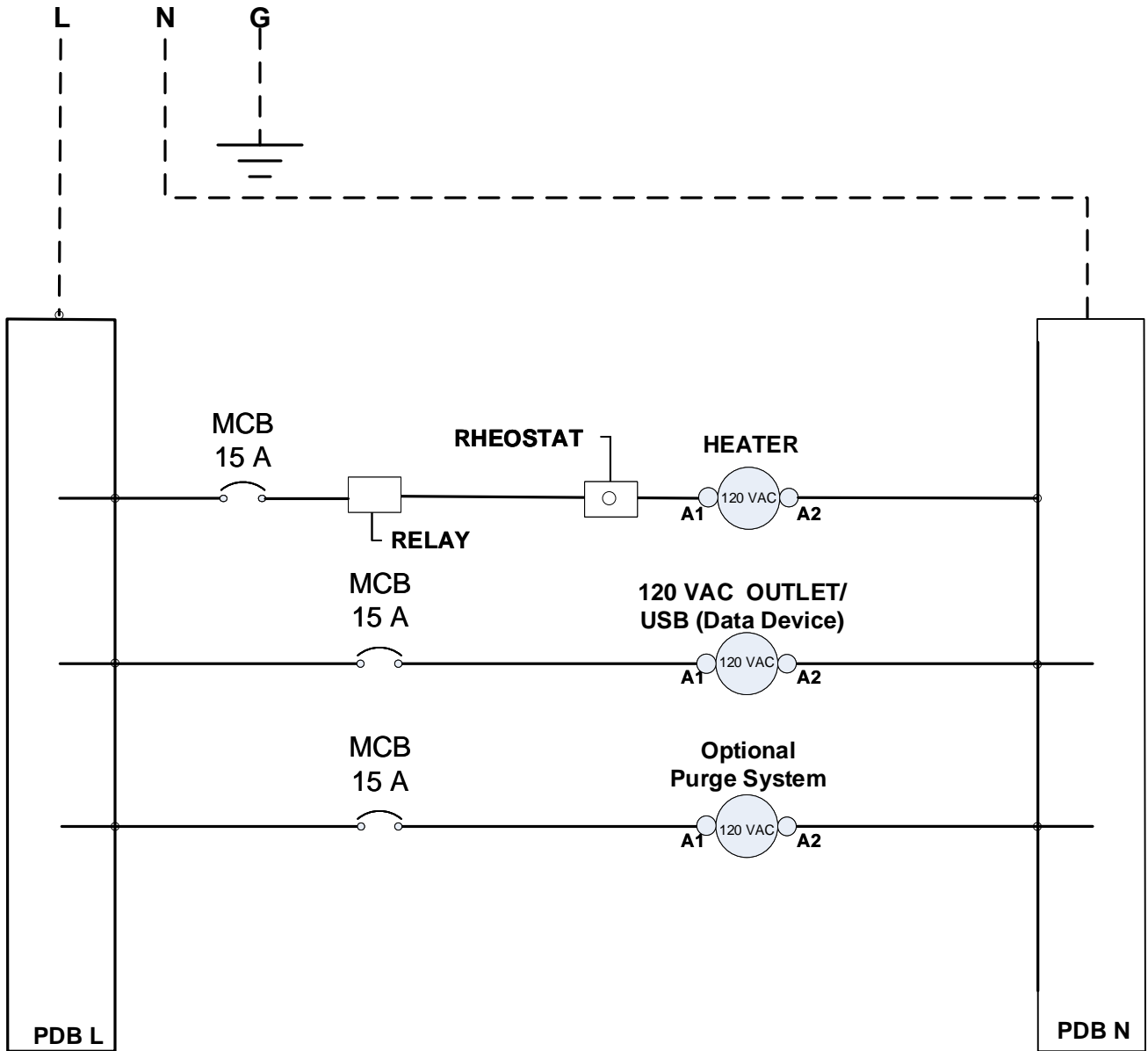
Sentinel For Cooling Water (Model C-2)



SYMBOL LEGEND	
Ball Valve	
Paddle Wheel Flow Meter	
Flow Transmitter	FX
Temperature Transmitter	TX

Knew Value LLC 29561 Lazy Pine Huffman, TX	120V Annular Test Heat Exchanger Skid			
	Sentinel Model C-2 P & ID 120V Annular Test Heat Exchanger Skid			
DATE	SIZE	FSCM NO	DWG NO	REV
9/13/2018		None		1
SCALE		SHEET		1 OF 1

120 VAC, 1PHASE, 60 Hz
SUPPLIED BY OTHERS



Knew Value LLC	120V Sentinel Test Heat Exchanger Skid			
	Model C-1 Wiring Diagram 120V Sentinel			
DATE	SIZE	FSCM NO	DWG NO	REV
9/12/2018			A120 -E100	1
	SCALE	None	SHEET	1 OF 1