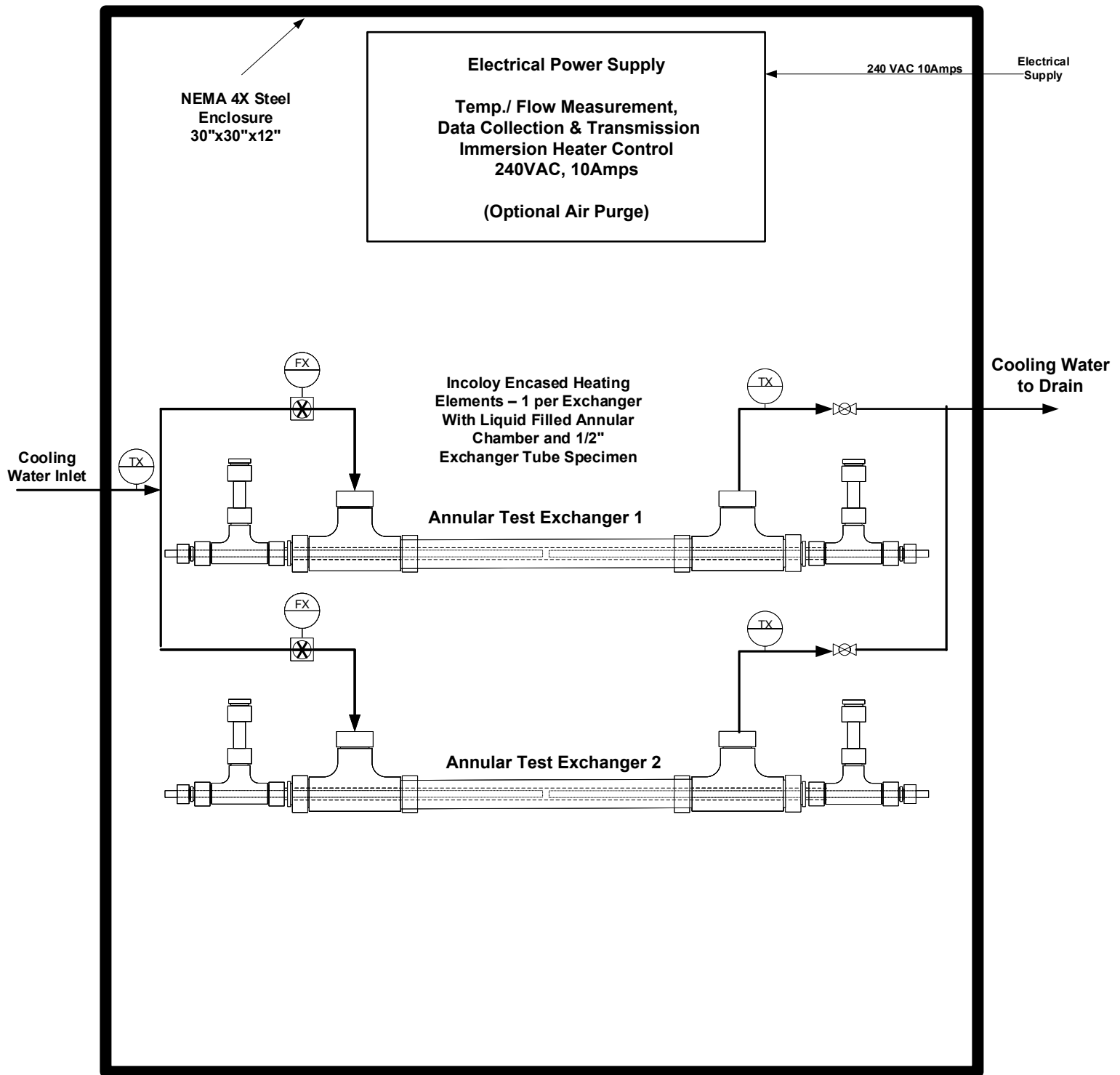


SYMBOL LEGEND	
Ball Valve	
Paddle Wheel Flow Meter	
Flow Transmitter	FX
Temperature Transmitter	TX

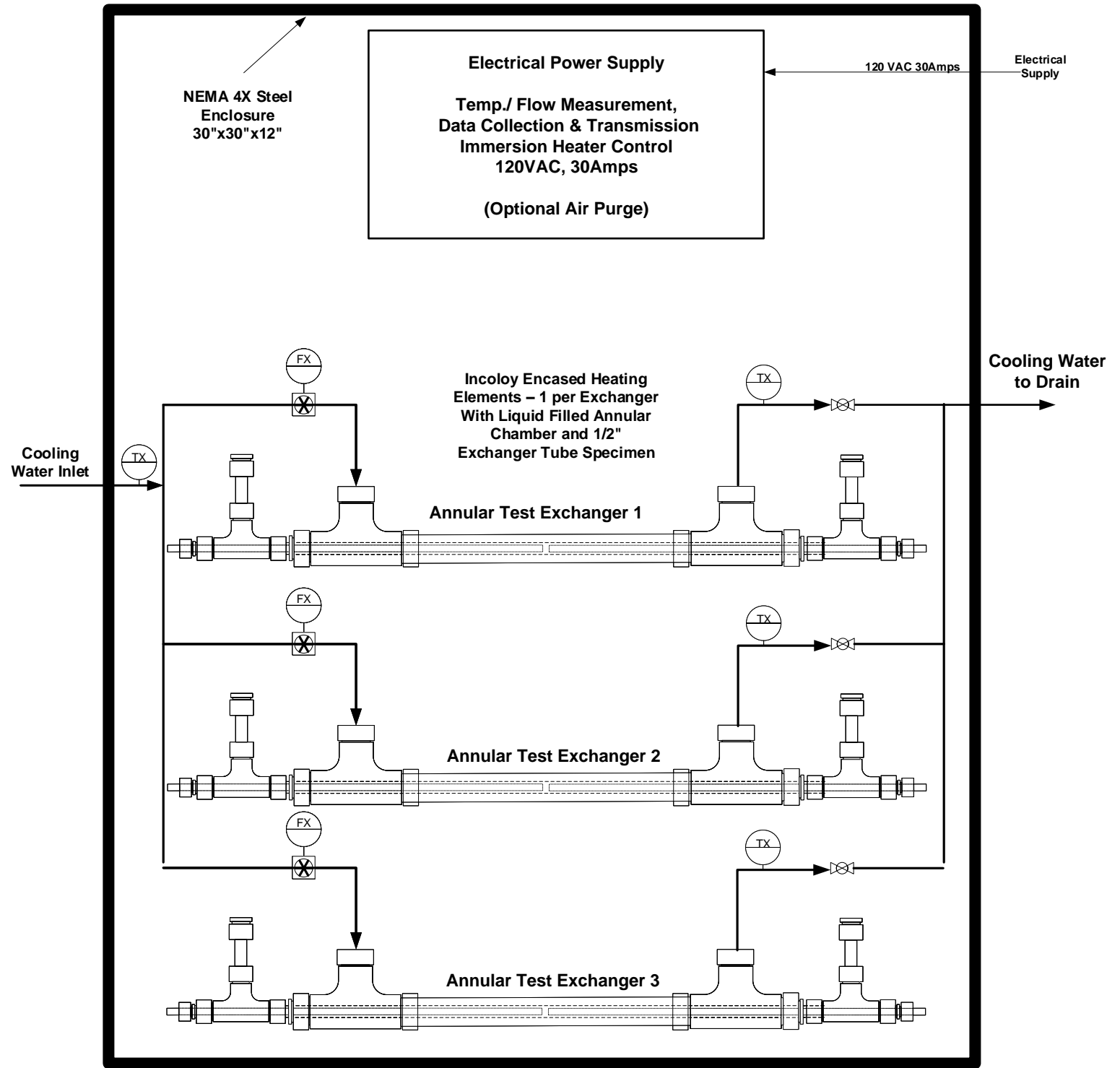


<b>Knew Value LLC</b> <b>29561 Lazy Pine</b> <b>Huffman, TX</b>	Sentinel for Cooling Water Test Heat Exchanger Skid			
	P & ID 120V 20 Amp Sentinel B-2			
DATE	SIZE	FSCM NO	DWG NO	REV
7/26/2018		None		1
SCALE			SHEET	1 OF 1



SYMBOL LEGEND	
Ball Valve	
Paddle Wheel Flow Meter	
Flow Transmitter	FX
Temperature Transmitter	TX

<b>Knew Value LLC</b> <b>29561 Lazy Pine</b> <b>Huffman, TX</b>	Sentinel for Cooling Water Test Heat Exchanger Skid			
	P & ID 240V 10 Amp Sentinel B-2			
DATE	SIZE	FSCM NO	DWG NO	REV
9/13/2018		None		1
	SCALE		SHEET	1 OF 1

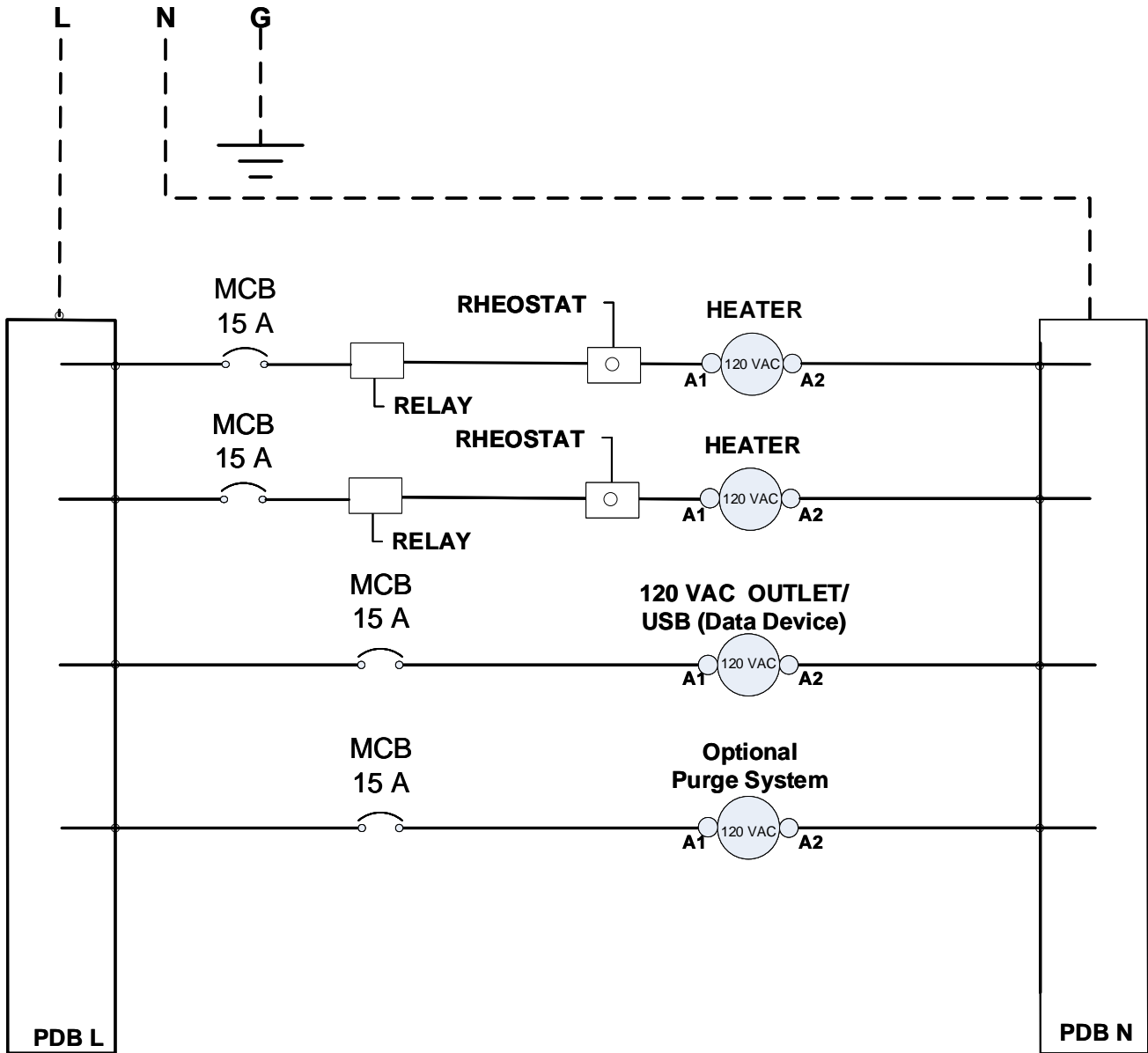


SYMBOL LEGEND	
Ball Valve	
Paddle Wheel Flow Meter	
Flow Transmitter	FX
Temperature Transmitter	TX



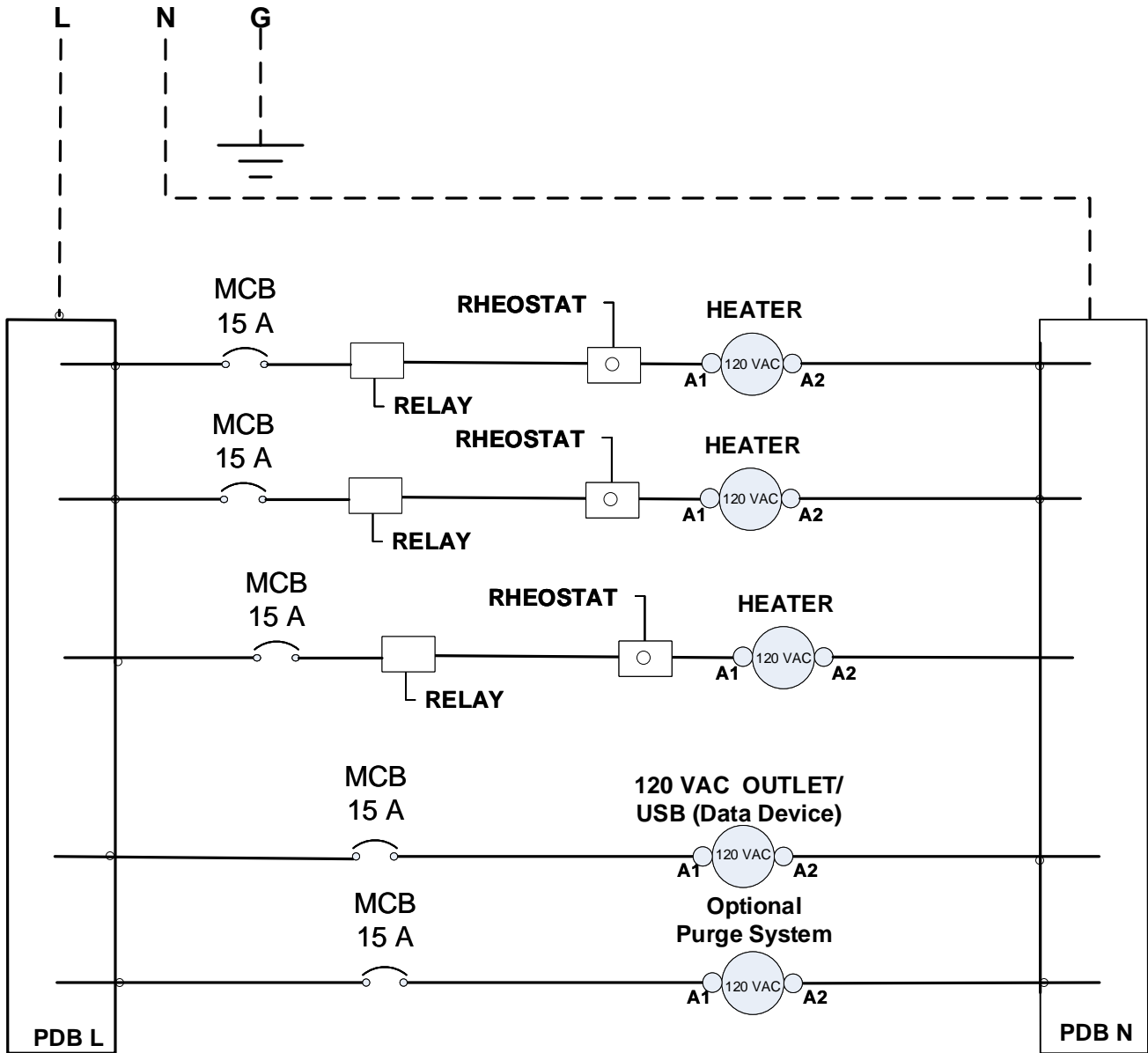
<b>Knew Value LLC</b> <b>29561 Lazy Pine</b> <b>Huffman, TX</b>	Sentinel for Cooling Water Test Heat Exchanger Skid			
	P & ID 120V 30 Amp Sentinel B-3			
DATE	SIZE	FSCM NO	DWG NO	REV
7/26/2018		None		1
SCALE			SHEET	1 OF 1

**120 VAC, 1PHASE, 60 Hz  
SUPPLIED BY OTHERS**



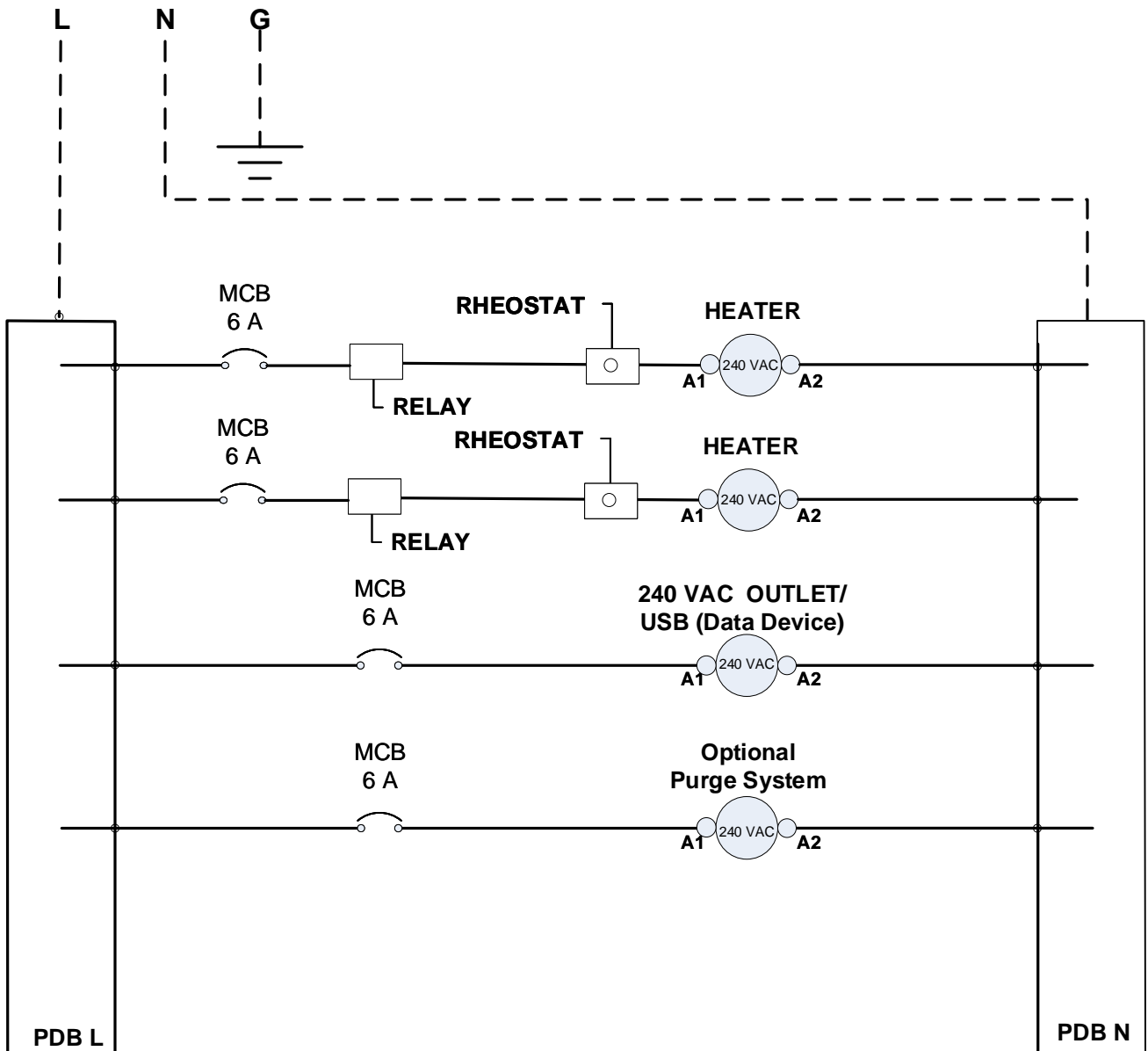
<b>Knew Value LLC</b>	120V Sentinel Test Heat Exchanger Skid			
	Model B-2 Wiring Diagram 120V Sentinel			
DATE	SIZE	FSCM NO	DWG NO	REV
9/12/2018			A120 -E100	1
	SCALE	None	SHEET	1 OF 1

120 VAC, 1PHASE, 60 Hz  
SUPPLIED BY OTHERS



<b>Knew Value LLC</b>	120V Sentinel Test Heat Exchanger Skid			
	Model B-3 Wiring Diagram 120V Sentinel			
DATE	SIZE	FSCM NO	DWG NO	REV
9/12/2018			A120 -E100	1
	SCALE	None	SHEET	1 OF 1

240 VAC, 1PHASE, 50 Hz  
SUPPLIED BY OTHERS



<b>Knew Value LLC</b>	240v Sentinel Test Heat Exchanger Skid			
	Model B-2 Wiring Diagram 240V Sentinel			
DATE	SIZE	FSCM NO	DWG NO	REV
9/13/2018	SCALE	None	SHEET	1 OF 1