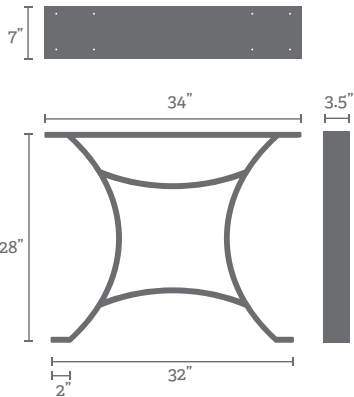
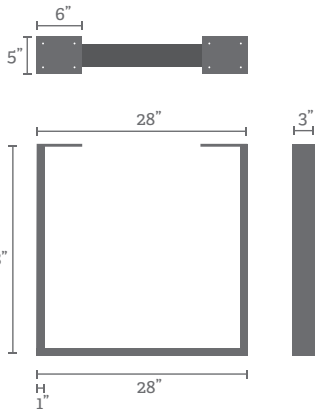


Atlas



Steel is 1/2" thick

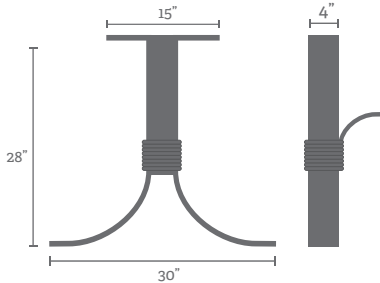
Bracket



Metal tubes are 1" x 3"



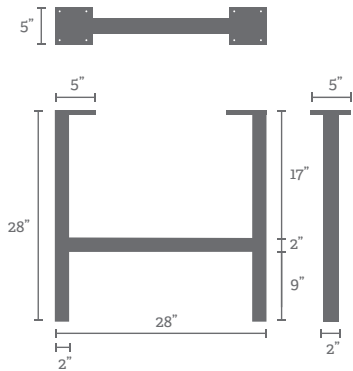
Clothespin



Steel is 1/2" thick

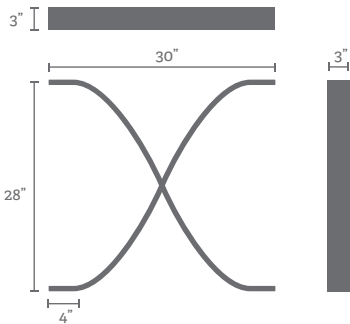


Ladder



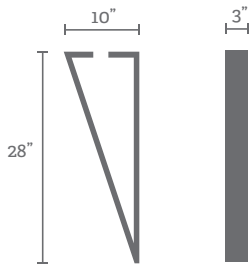
Metal tubes are 2" x 2"

Median



Steel is 1/2" thick

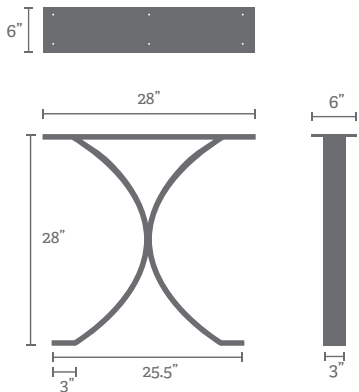
Points



Metal tubes are 1" x 3"

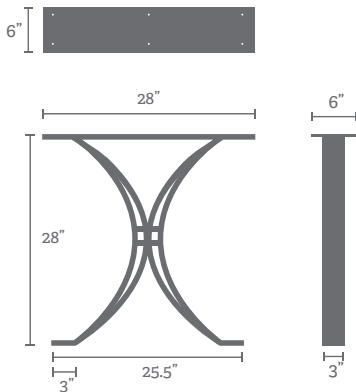


Tangent: Single



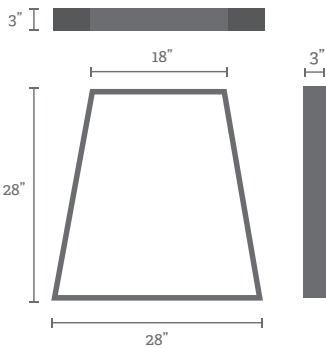
Steel is 1/2" thick

Tangent: Double



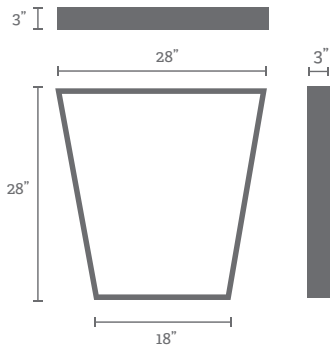
Steel is 1/2" thick

Tapered: Up



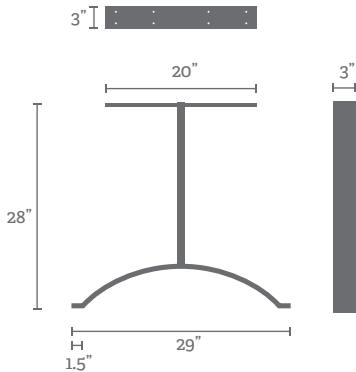
Metal tubes are 1" x 3"

Tapered: Down



Metal tubes are 1" x 3"

Wishbone



Center tube is 1" x 3"

Steel is 1/2" thick