



US00D724907S

(12) **United States Design Patent**
Rollenhagen et al.

(10) **Patent No.:** **US D724,907 S**

(45) **Date of Patent:** **** Mar. 24, 2015**

(54) **MINI HOPPER**

(71) Applicant: **Kinze Manufacturing, Inc.**

(72) Inventors: **Trevor N. Rollenhagen**, North Liberty, IA (US); **Susanne Veatch**, Williamsburg, IA (US); **Rhett Schildroth**, Williamsburg, IA (US)

(73) Assignee: **Kinze Manufacturing, Inc.**, Williamsburg, IA (US)

(**) Term: **14 Years**

(21) Appl. No.: **29/477,255**

(22) Filed: **Dec. 20, 2013**

(51) **LOC (10) Cl.** **08-01**

(52) **U.S. Cl.**
USPC **D8/2**

(58) **Field of Classification Search**
CPC A01G 1/125; A01C 15/006; A01C 17/006
USPC D8/1-2; D15/13; D34/28, 1;
111/184-185
See application file for complete search history.

(56) **References Cited**

U.S. PATENT DOCUMENTS

4,924,786 A * 5/1990 Keeton 111/184
5,027,725 A * 7/1991 Keeton 111/184

D338,756 S * 8/1993 Pink et al. D34/1
5,285,971 A * 2/1994 Havlovitz 239/686
5,944,264 A * 8/1999 Truax et al. 239/653
6,401,638 B1 * 6/2002 Crabb et al. 111/185
D463,225 S * 9/2002 Winkler D8/2
D463,226 S * 9/2002 Winkler D8/2
D534,044 S * 12/2006 Zak D8/2
D555,322 S * 11/2007 Hlady et al. D34/28
D647,768 S * 11/2011 Sansone D8/2

* cited by examiner

Primary Examiner — Sheryl Lane

(74) *Attorney, Agent, or Firm* — McKee, Voorhees & Sease

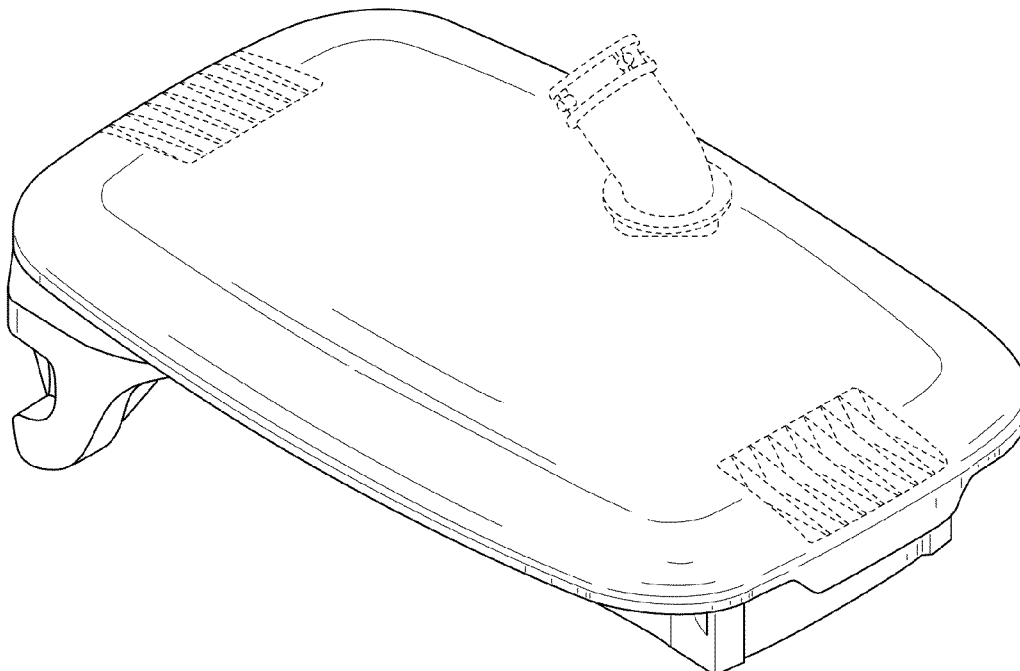
(57) **CLAIM**

We claim the ornamental design for a mini hopper, substantially as shown and described.

DESCRIPTION

FIG. 1 is a front perspective view of the mini hopper; FIG. 2 is a rear elevation view of the mini hopper; FIG. 3 is a right elevation view of the mini hopper; FIG. 4 is a front elevation view of the mini hopper; FIG. 5 is a top plan view of the mini hopper; FIG. 6 is a bottom plan view of the mini hopper; and, FIG. 7 is a rear perspective view of the mini hopper. The broken lines represent portions of the article, and form no part of the claimed design.

1 Claim, 7 Drawing Sheets



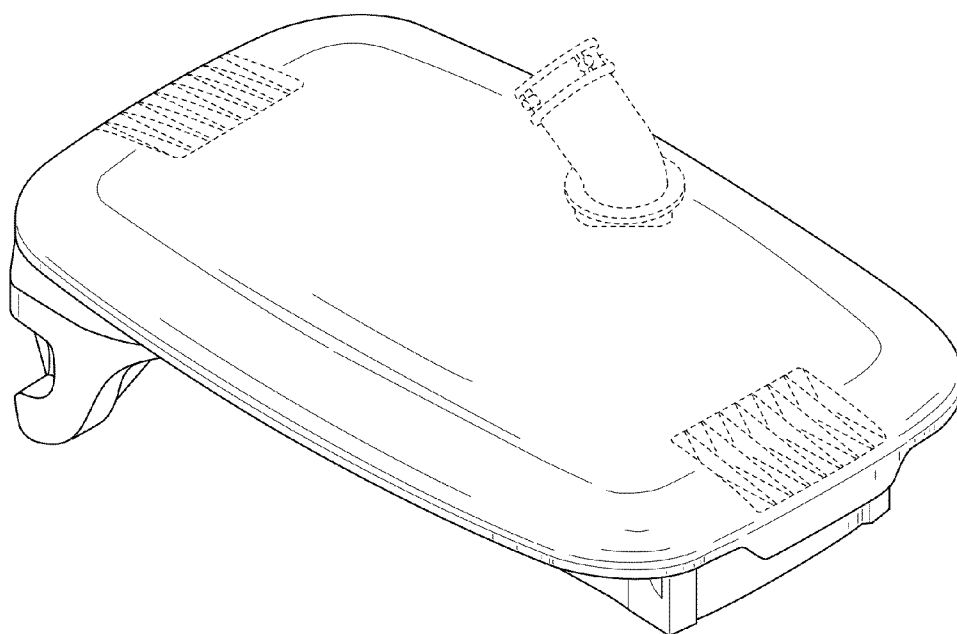


FIG. 1

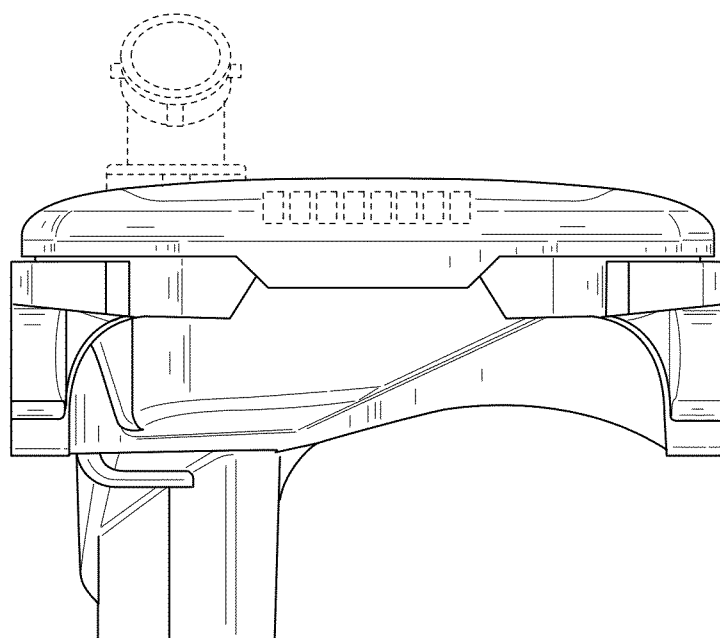


FIG. 2

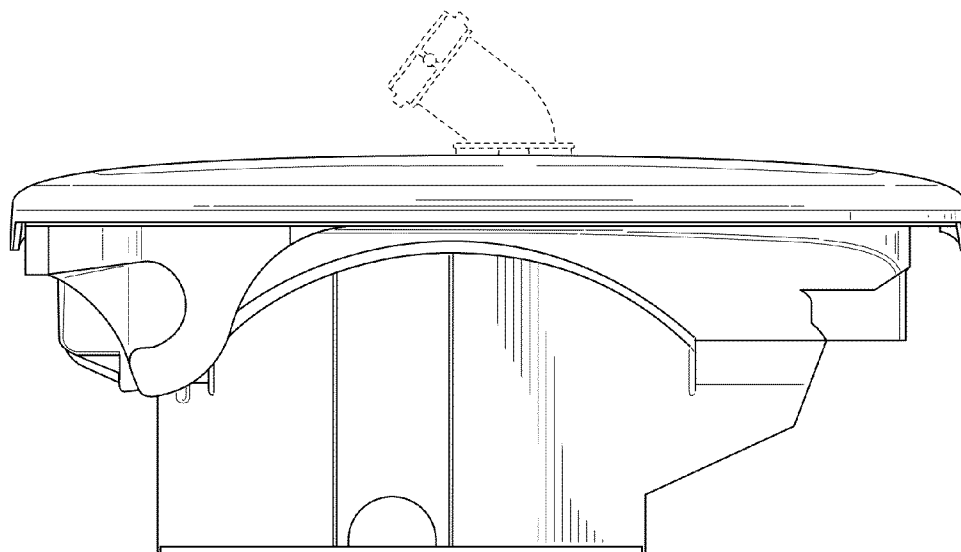


FIG. 3

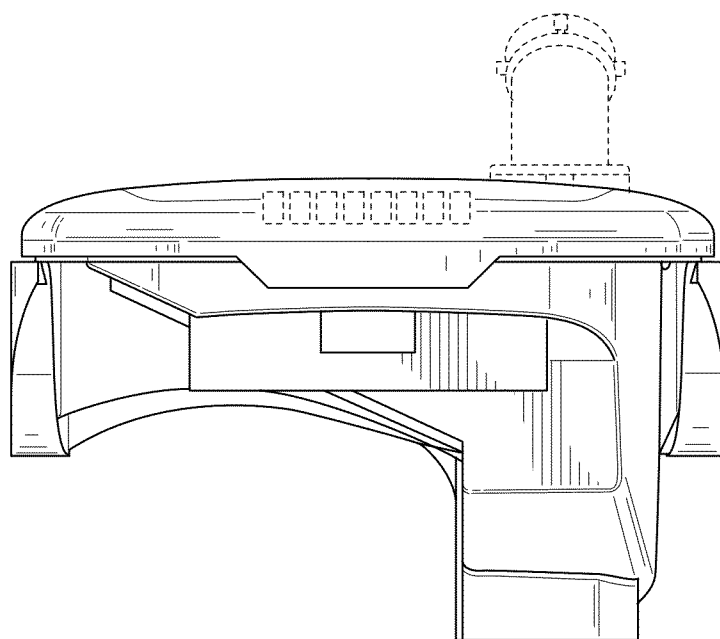


FIG. 4

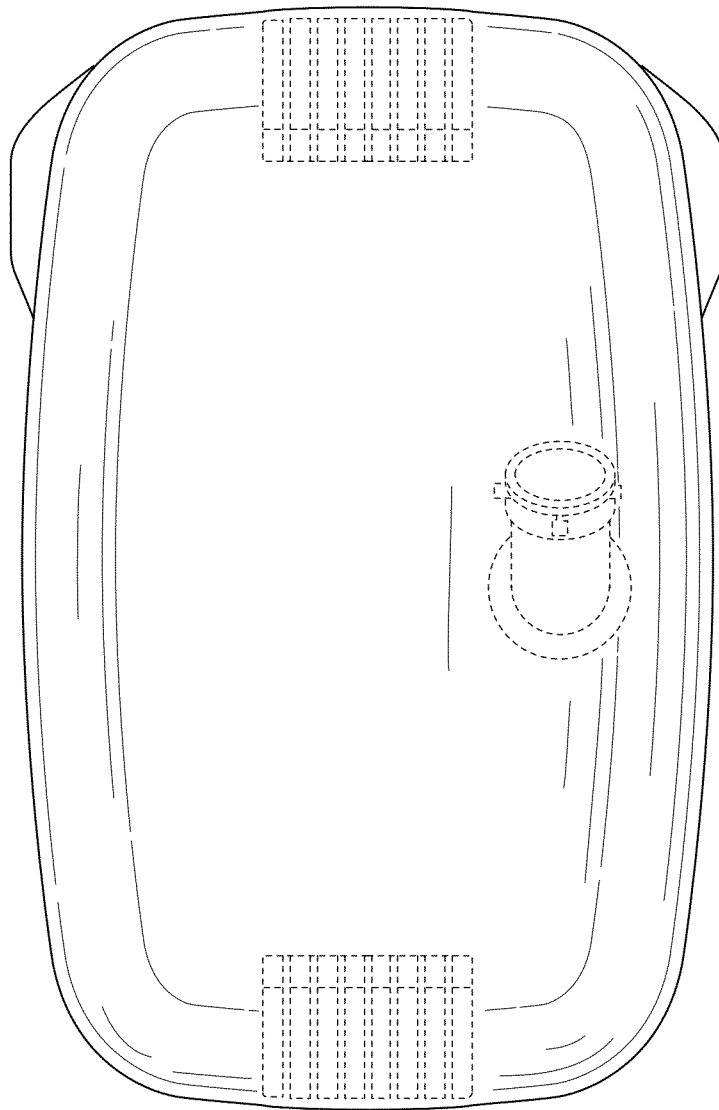


FIG. 5

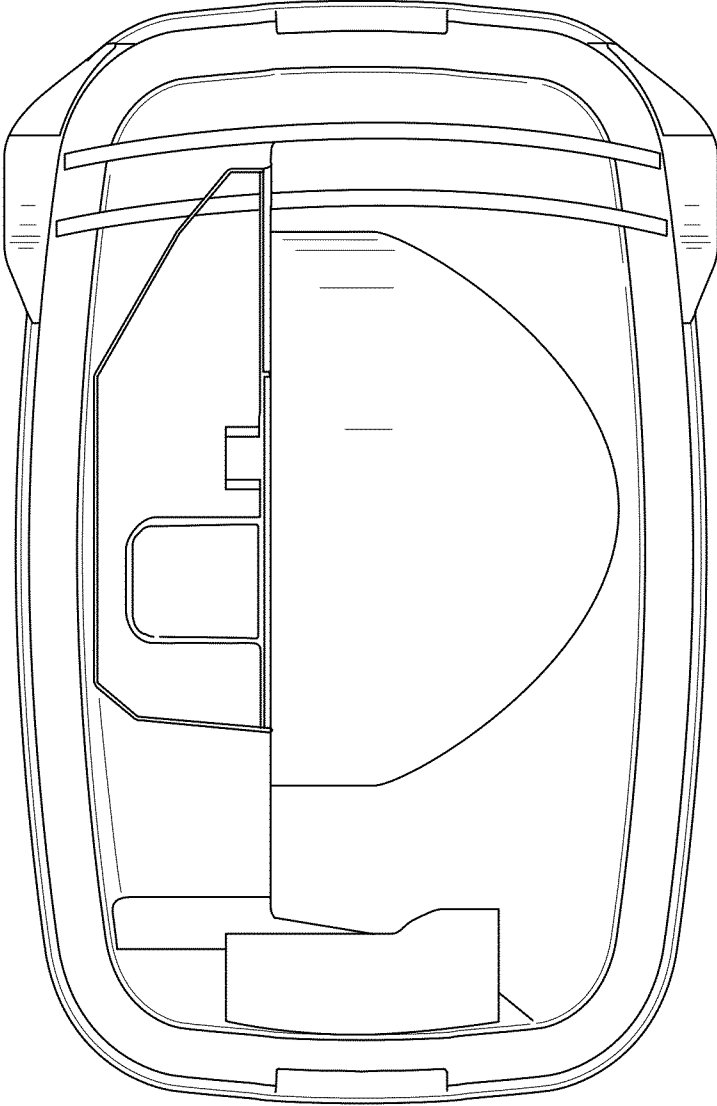


FIG. 6

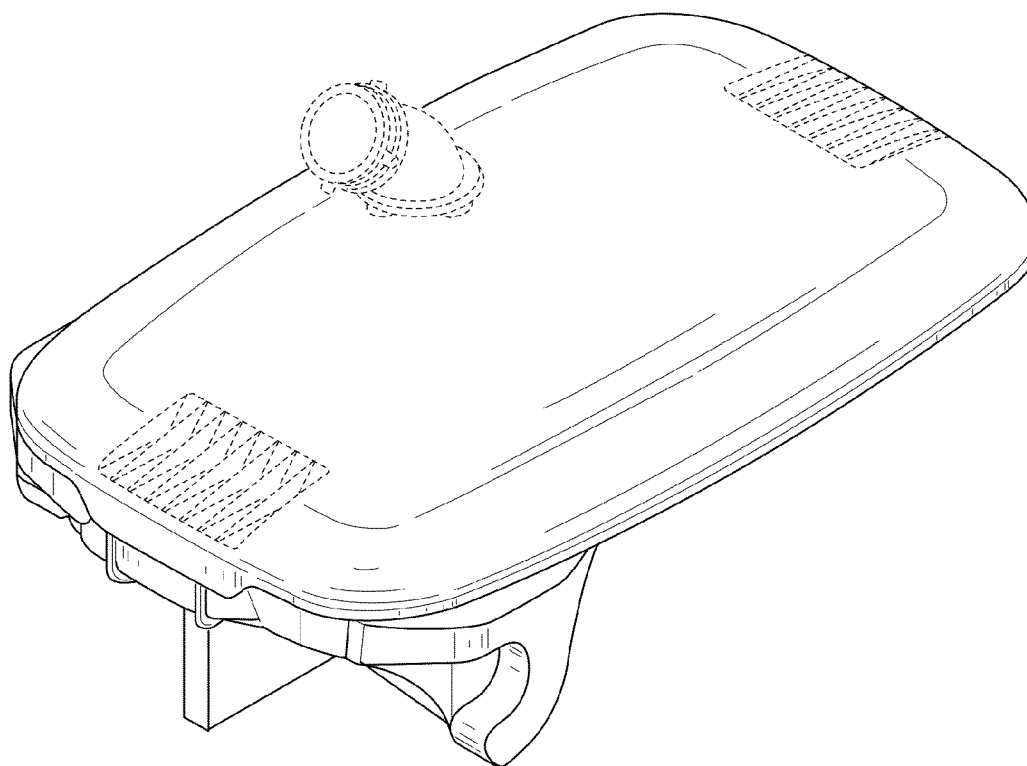


FIG. 7